

A3427A

SERVICE PARTS LIST

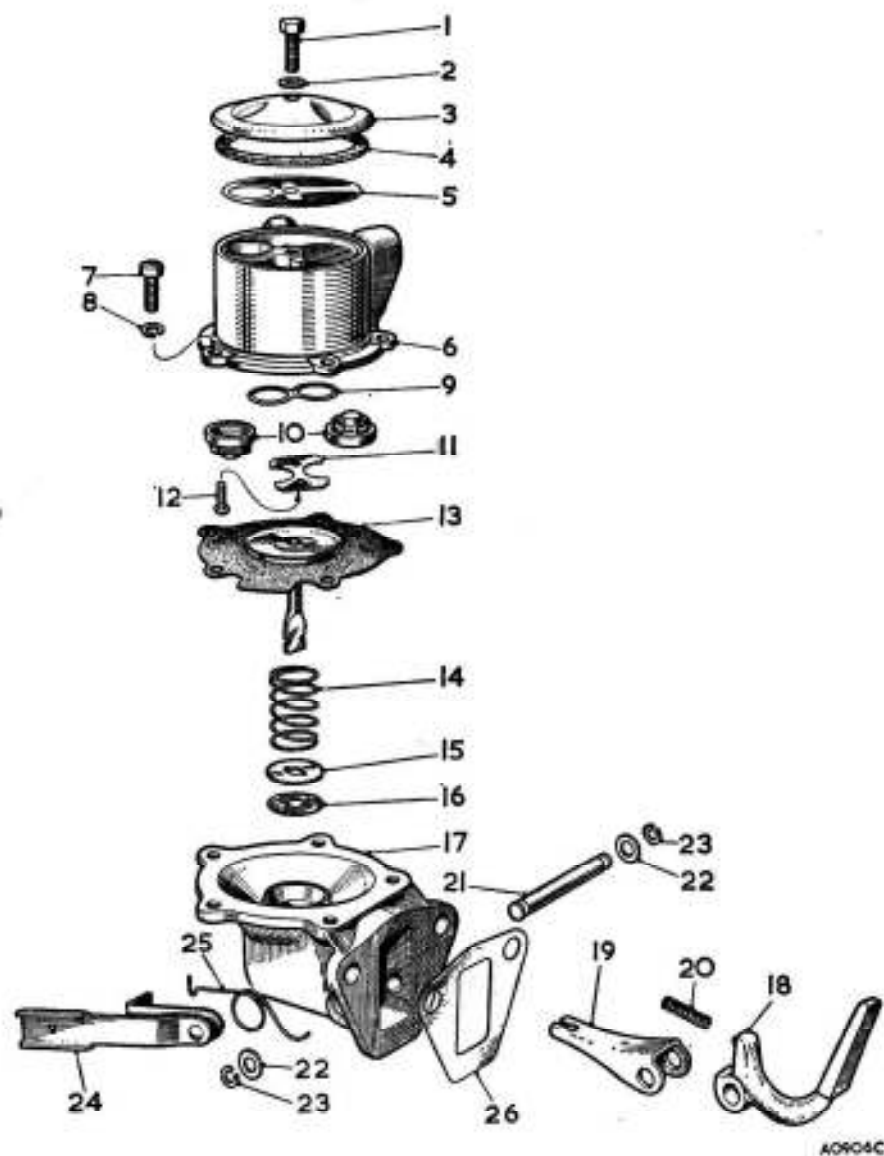
THE M.G. MIDGET

Item No.	DESCRIPTION	Commencing (C) GAN1/101		Qty. per Veh.	Type of Vehicle	MODIFICATIONS			REMARKS	
		Part Number	Illus. No.			New Part Number	Change Point	Amdt. No.		
<b>FUEL SYSTEM</b>										
<b>FUEL TANK</b>										
1	Tank—fuel	ARA114	1	1						
2	Plug—drain	ARH672	2	1						
3	Washer for drain plug	ARA940	3	1						
4	Cap—filler	8C654	4	1						
5	Cap—filler (complete with lock)	2A504	5	1						
6	Unit—tank—fuel gauge	21A168	6	1						Optional extra.
7	Washer for tank unit (joint)	2H1082	7	1						
8	Screw (with captive washer)—tank unit to tank	ARG928	8	6						
9	Washer for tank mounting (small)	2A2070	9	2						
10	Washer for tank mounting (large)	2A2071	10	2						
11	Ring—sealing—tank to floor	2A2069	11	1						
12	Washer—tank to floor (shakeproof)	LWN405	12	6						
13	Washer—tank to floor (plain)	PWZ105	13	6						
14	Nut—tank to floor	FNZ105	14	6						
15	Grommet for tank filler	AHA5445	15	1						
16	Tube—filler	AHA5662	16	1						
17	Hose for filler tube neck (rubber)	AHA5663	17	1						
18	Clip—hose to filler tube	8C505	18	2						
<b>FUEL PIPES</b>										
19	Pipe—tank to flexible pipe	AHA5536	19	1						
20	Nipple	ACA5129	20	1						
21	Nut	ACA5128	21	1						
22	Pipe—flexible	21A206	22	1						
23	Pipe—flexible pipe to pump	AHA5535	23	1						
24	Nut	6K648	24	1						
25	Olive	6K685	25	1						
26	Clip—pipe to L.H. engine mounting bracket bolt	PCR0411	26	1						
27	Clip—flexible pipe to Bundy pipe	ACH5854	27	2						
28	Clip for pipe	8K85	28	2						
29	Clip for pipe	17H0525	29	8						
30	Pipe—pump to carburettor feed pipe	AEA582	30	1						
31	Nut	6K648	31	1						
32	Olive	6K685	32	1						

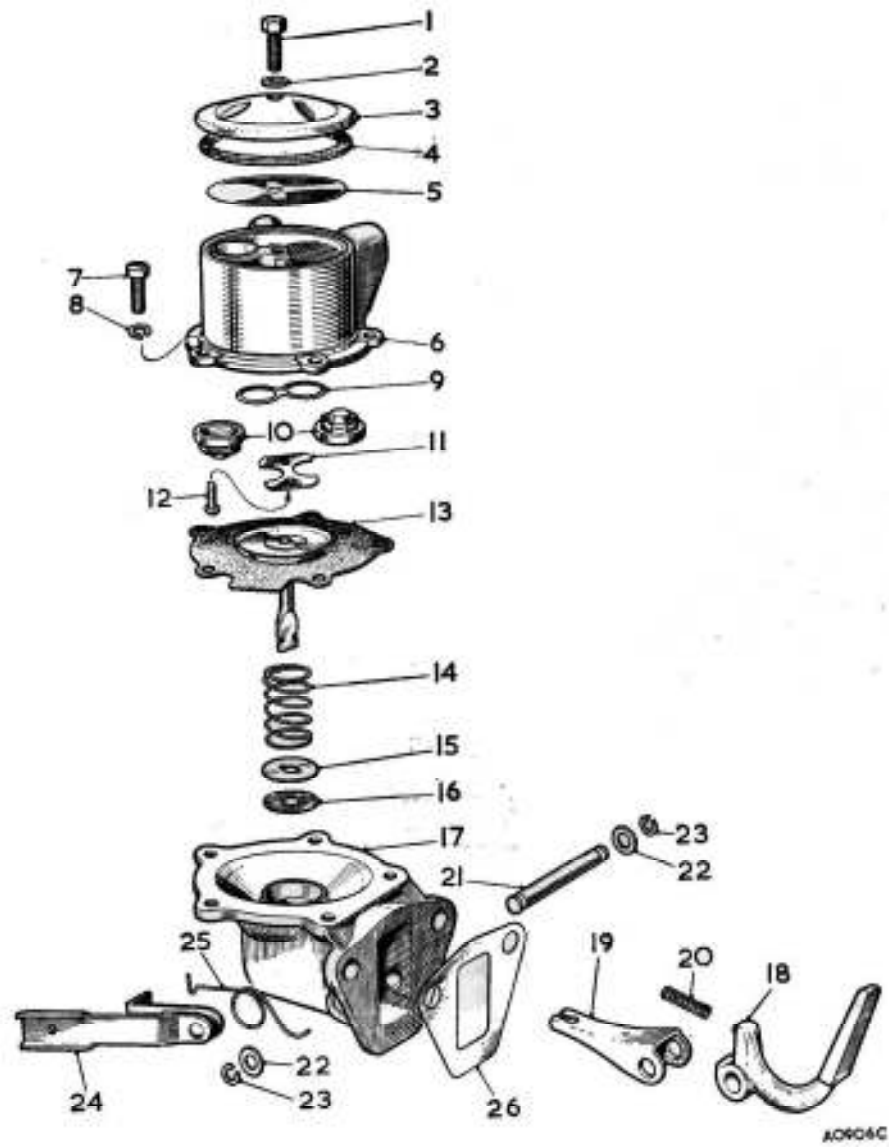
SERVICE PARTS LIST

THE M.G. MIDGET

Item No.	DESCRIPTION	Commencing (E) 9CG-U-H101		Qty. per Veh.	Type of Vehicle	MODIFICATIONS			REMARKS
		Part Number	Illus. No.			New Part Number	Change Point	Amdt. No.	
	<b>FUEL PUMP</b>								
1	Pump—fuel (R)	17H98		1					
2	Screw—cover fixing	7H1390		1					
3	Gasket for screw	7H1384		2					
4	Cover—filter	7H1381		3					
5	Gasket for filter cover	17H856		4					
6	Gauze—filter	7H1382		5					
7	Casting (upper)	27H1170		6					
8	Screw—upper casting to body	7H1391		7					
9	Washer for screw (lock)	7H920		8					
10	Gasket for valve	7H816		9					
11	Valve assembly	7H1561		10					
12	Retainer—valve	7H1670		11					
13	Screw—fixing retainer	7H1483		12					
14	Diaphragm assembly	7H1379		13					
15	Spring—diaphragm	7H1392		14					
16	Washer for oil seal (metal)	17H860		15					
17	Washer for oil seal (fabric)	17H861		16					
18	Body—pump	7H1679		17					
19	Arm—rocker	7H1397		18					
20	Link—rocker arm	7H1396		19					
21	Spring—rocker arm	7H1398		20					
22	Pin—rocker arm	7H813		21					
23	Washer for pin	7H1389		22					
24	Clip for pin	7H1388		23					
25	Lever assembly—priming	7H1067		24					
26	Spring priming lever	7H1068		25					
27	Gasket for engine pad	2A113		26					
28	Nut for fuel pump stud	12A1		2					
29	Washer for stud (spring)	LWN205		2					



A0906C



SERVICE PARTS LIST

THE M.G. MIDGET

Item No.	DESCRIPTION	Commencing (E) 9CG-U-H101		Qty. per Veh.	Type of Vehicle	MODIFICATIONS			REMARKS
		Part Number	Illus. No.			New Part Number	Change Point	Amdt. No.	
	<b>FUEL PUMP REPAIR KITS</b>								
1	<b>Kit—fuel pump repair—primary</b>	<b>8G2205</b>		<b>1</b>					
2	Gasket for cover screw		2	1					
3	Gasket for filter cover		4	1					
4	Gasket for valve		9	1					
5	Valve assembly		10	2					
6	Diaphragm assembly		13	1					
7	Gasket for engine pad		26	1					
8	<b>Kit—fuel pump repair—major</b>	<b>8G2206</b>		<b>1</b>					
9	Gasket for cover screw		2	1					
10	Gasket for filter cover		4	1					
11	Gauze—filter		5	1					
12	Gasket for valve		9	1					
13	Valve assembly		10	2					
14	Retainer—valve		11	1					
15	Screw fixing retainer		12	2					
16	Diaphragm assembly		13	1					
17	Washer for oil seal (metal)		15	1					
18	Washer for oil seal (fabric)		16	1					
19	Arm—rocker		18	1					
20	Link—rocker arm		19	1					
21	Spring—rocker arm		20	1					
22	Pin—rocker arm		21	1					
23	Washer for pin		22	2					
24	Clip for pin		23	2					
25	Gasket for engine pad		26	1					



ILLUSTRATION TO FOLLOW  
IN DUE COURSE



ILLUSTRATION TO FOLLOW  
IN DUE COURSE

## SERVICE PARTS LIST

THE M.G. MIDGET

Item No.	DESCRIPTION	Commencing (E) 9CG-U-H101		Qty. per Veh.	Type of Vehicle	MODIFICATIONS			REMARKS
		Part Number	Illus. No.			New Part Number	Change Point	Amdt. No.	
	<b>Carburetors—continued</b>								
1	Joint—carburetter and heat shield	1G2624		6					
2	Washer (insulating)	AEA586		2					
3	<b>Shield—heat—carburetter and fuel pump</b>	<b>AEA592</b>		1					
4	Pipe—carburetter to carburetter	AEA588		1					
5	Pipe—fuel pump to carburetter	1H2181		1					
6	Clip for fuel pipe	ACH5854		4					
7	Clip for fuel pipe support	AEA589		2					
8	Nut for carburetter stud	FNZ106		4					
9	Washer for nut (spring)	LWZ206		4					

# SERVICE PARTS LIST

THE M.G. MIDGET

Item No.	DESCRIPTION	Commencing (C) GAN1/101		Qty. per Veh.	Type of Vehicle	MODIFICATIONS			REMARKS
		Part Number	Illus. No.			New Part Number	Change Point	Amdt. No.	
	<b>AIR CLEANER</b>								
1	Cleaner—air (front)	AHA5873	1	1					
2	Cleaner—air (rear)	AHA5874	2	1					
3	Bolt—air cleaner to carburettor	HBZ0586	8	4					
4	Washer for bolt (plain)	PWZ105	4	4					
5	Washer for bolt (spring)	LWZ205	5	4					
6	Washer—air cleaner to carburettor (joint)	ACA8014	6	2					
7	Nut—front air cleaner strap to rear air cleaner strap	LNZ205	7	1					
8	Washer for nut (plain)	PWZ205	8	1					
9	Washer for nut (spring)	LWZ205	9	1					
10	Pipe—air cleaner to rocker cover	AHA5930	10	1					
11	Clip for pipe	ACA5290	11	2					

