

A3751

SERVICE PARTS LIST

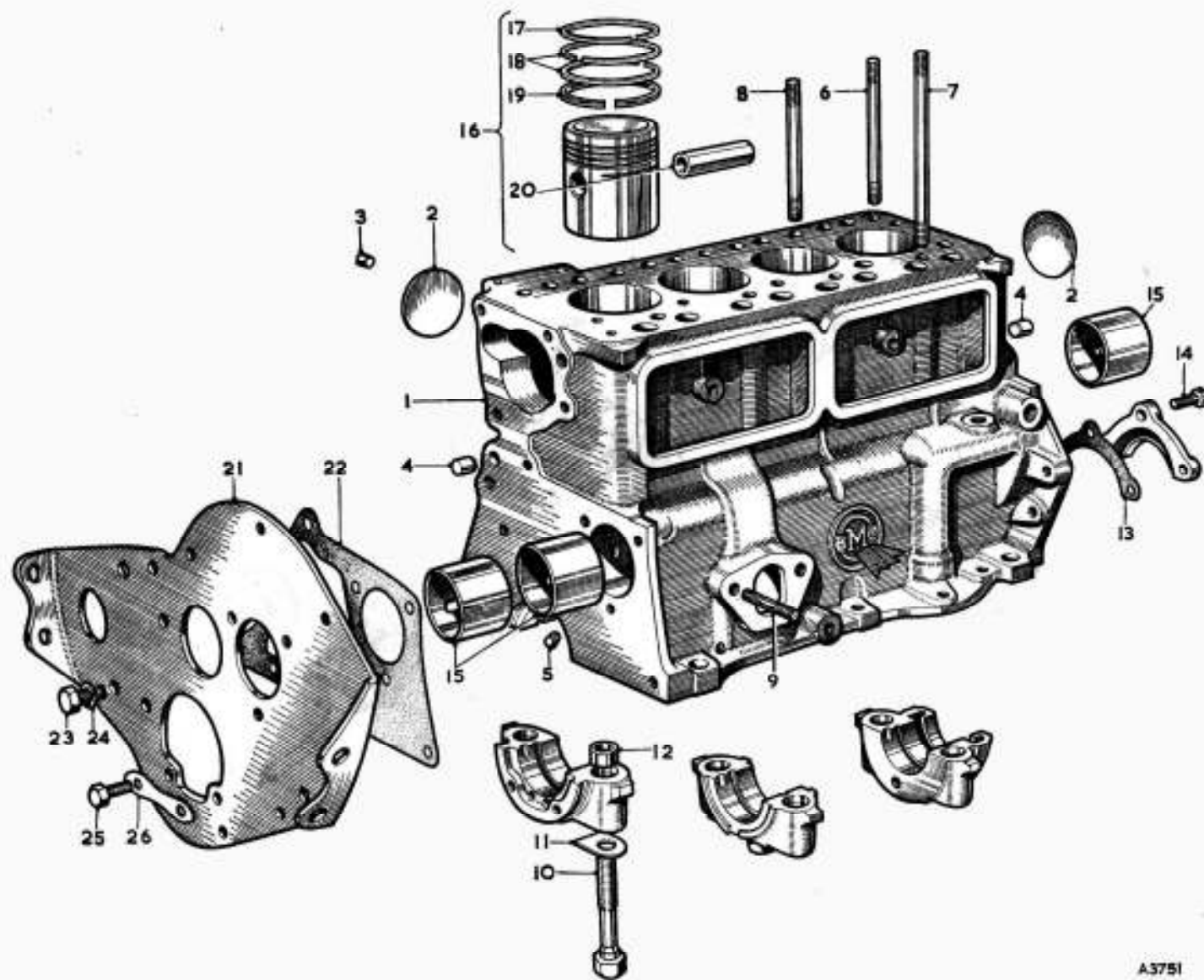
THE M.G. MIDGET

Item No.	DESCRIPTION	Commencing (E) 9CG-U-H101		Qty. per Veh.	Type of Vehicle	MODIFICATIONS			REMARKS
		Part Number	Illus. No.			New Part Number	Change Point	Amdt. No.	
	<b>ENGINE</b>								
	<b>ENGINE UNIT</b>								
1	Stripped engine unit (R)	8G16		1					
2	Half-engine	28G130		1					
3	Block assembly	28G131		1					
4	Plug (welch)	2K8109		2					
5	Plug for oil release valve passage	2K1345		2					
6	Plug for oil gallery	2K8623		2					
7	Restrictor—camshaft bearing oil feed	1A1964		1					
8	Stud—cylinder head	51K254		1					
9	Stud—cylinder head (long)	51K255		4					
10	Stud—cylinder head (short)	51K256		4					
11	Stud—fuel pump	58K525		2					
12	Cap—main bearing (front)	N.S.P.		1					
13	Cap—main bearing (centre)	N.S.P.		1					
14	Cap—main bearing (rear)	N.S.P.		1					
15	Set screw for main bearing cap	2A53		6					
16	Washer for set screw (lock)	6K927		6					
17	Dowel—main bearing cap	2A54		6					
18	Cover—crankcase (rear)	N.S.P.		1					
19	Joint—rear cover	2A127		1					
20	Set screw for rear cover	58K1028		3					
21	Liner—camshaft bearing	28G133		1 set					
22	<b>Piston assembly (standard)</b>	<b>12A187</b>		<b>4</b>					
23	Piston assembly (.010" [-254 mm.] O/S)	12A018710		4					
24	Piston assembly (.020" [-508 mm.] O/S)	12A018720		4					
25	Piston assembly (.030" [-762 mm.] O/S)	12A018730		4					
26	Piston assembly (.040" [-1-016 mm.] O/S)	12A018740		4					
27	<b>Ring—compression—plain (standard)</b>	<b>12A66</b>		<b>4</b>					
28	Ring—compression—plain (.010" [-254 mm.] O/S)	12A006610		4					
29	Ring—compression—plain (.020" [-508 mm.] O/S)	12A006620		4					
30	Ring—compression—plain (.030" [-762 mm.] O/S)	12A006630		4					
31	Ring—compression—plain (.040" [-1-016 mm.] O/S)	12A006640		4					
32	<b>Ring—compression—tapered (standard)</b>	<b>12A67</b>		<b>8</b>					
33	Ring—compression—tapered (.010" [-254 mm.] O/S)	12A006710		8					
34	Ring—compression—tapered (.020" [-508 mm.] O/S)	12A006720		8					
35	Ring—compression—tapered (.030" [-762 mm.] O/S)	12A006730		8					
36	Ring—compression—tapered (.040" [-1-016 mm.] O/S)	12A006740		8					

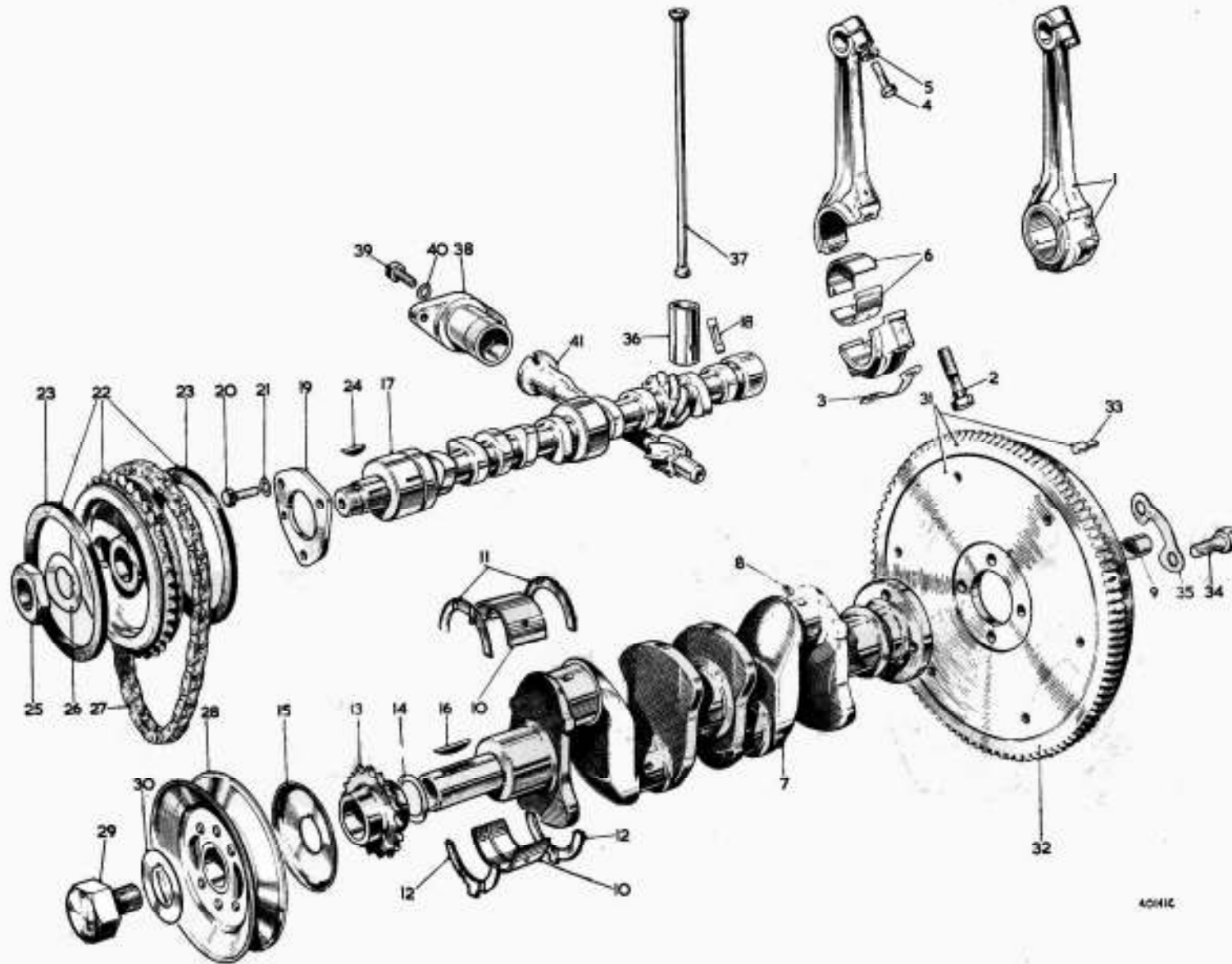
SERVICE PARTS LIST

THE M.G. MIDGET

Item No.	DESCRIPTION	Commencing (E) 9CG-U-H101		Qty. per Veh.	Type of Vehicle	MODIFICATIONS			REMARKS
		Part Number	Illus. No.			New Part Number	Change Point	Amdt. No.	
	<b>Engine Unit—continued</b>								
1	Ring—scraper (standard)	12A68	19	4					
2	Ring—scraper (010" [254 mm.] O/S)	12A006810		4					
3	Ring—scraper (020" [508 mm.] O/S)	12A006820		4					
4	Ring—scraper (030" [762 mm.] O/S)	12A006830		4					
5	Ring—scraper (040" [1-016 mm.] O/S)	12A006840		4					
6	Pin—gudgeon (standard)	2A837	20	4					
7	Pin—gudgeon (002" [0508 mm.] O/S)	2A083702		4					
8	Pin—gudgeon (004" [1016 mm.] O/S)	2A083704		4					
9	Pin—gudgeon (006" [1524 mm.] O/S)	2A083706		4					
	<b>FRONT MOUNTING PLATE</b>								
10	Plate—engine mounting (front)	2A125	21	1					
11	Joint—mounting plate to crankcase	2A126	22	1					
12	Screw—mounting plate to crankcase	HZS0505	23	2					
13	Washer for screw (spring)	LWZ305	24	2					
14	Screw—mounting plate to bearing cap	58K2016	25	2					
15	Plate for screw (lock)	6K881	26	1					



A3751



4041C



**SERVICE PARTS LIST**

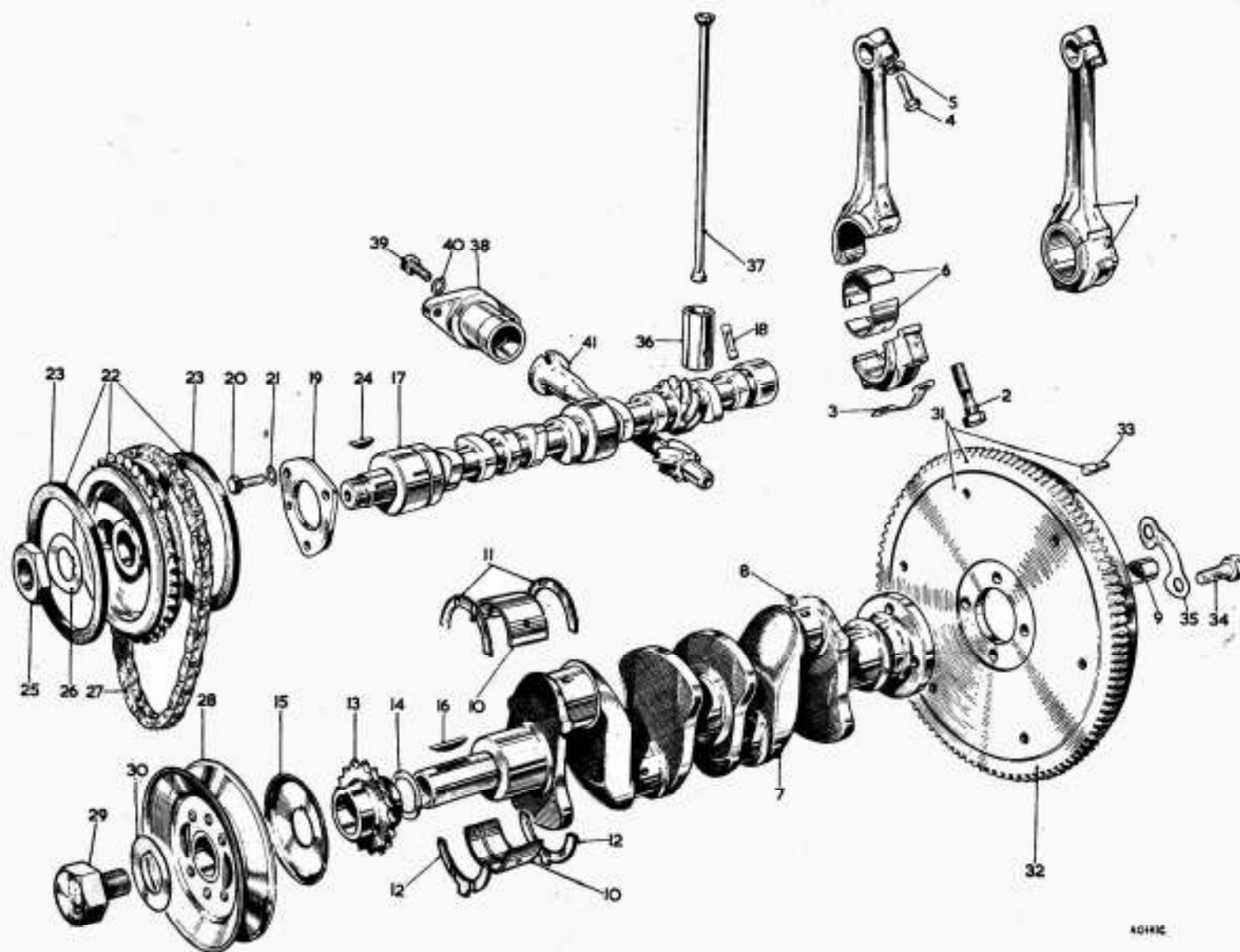
**THE M.G. MIDGET**

Item No.	DESCRIPTION	Commencing (E) 9CG-U-H101		Qty. per Veh.	Type of Vehicle	MODIFICATIONS			REMARKS
		Part Number	Illus. No.			New Part Number	Change Point	Amdt. No.	
	<b>CONNECTING RODS—BEARINGS</b>								
1	Connecting rod and cap—Nos. 1 and 3 cylinders	2A656	1	2					
2	Connecting rod and cap—Nos. 2 and 4 cylinders	2A654		2					
3	Screw—cap	2A659	2	8					
4	Washer for screw (lock)	2A660	3	4					
5	Screw (clamping)	51K1382	4	4					
6	Washer for screw (spring)	LWN305	5	4					
7	<b>Bearing—connecting rod—big-end (standard)</b>	<b>8G2198</b>	<b>6</b>	<b>1 set</b>					
8	Bearing—connecting rod—big-end (.010" [254 mm.] U/S)	8G219810		1 set					
9	Bearing—connecting rod—big-end (.020" [508 mm.] U/S)	8G219820		1 set					
10	Bearing—connecting rod—big-end (.080" [762 mm.] U/S)	8G219830		1 set					
11	Bearing—connecting rod—big-end (.040" [1-016 mm.] U/S)	8G219840		1 set					
	<b>CRANKSHAFT AND GEAR</b>								
12	Crankshaft (with oil restrictors and bush) (R)	2A828	7	1					Alternative to 2A830
13	Restrictor—oil	1G1167	8	4					
14	Bush—1st motion shaft	1A1559	9	1					
15	Crankshaft (with bush) (R)	2A830		1					Alternative to 2A828
16	Bush—1st motion shaft	1A1559		1					
17	<b>Bearing—main (standard)</b>	<b>8G2222</b>	<b>10</b>	<b>1 set</b>					
18	Bearing—main (.010" [254 mm.] U/S)	8G222210		1 set					
19	Bearing—main (.020" [508 mm.] U/S)	8G222220		1 set					
20	Bearing—main (.080" [762 mm.] U/S)	8G222230		1 set					
21	Bearing—main (.040" [1-016 mm.] U/S)	8G222240		1 set					
22	Washer—thrust—upper (standard)	1A1716	11	2					
23	Washer—thrust—upper (.008" [-076 mm.] O/S)	1A171603		2					
24	Washer—thrust—lower (standard)	1A1717	12	2					
25	Washer—thrust—lower (.008" [-076 mm.] O/S)	1A171703		2					
26	<b>Gear—crankshaft</b>	<b>2A76</b>	<b>13</b>	<b>1</b>					
27	Washer (packing)	6K828	14	1					
28	Thrower—oil (front)	2A1015	15	1					
29	Key—gear and crankshaft	6K836	16	1					

SERVICE PARTS LIST

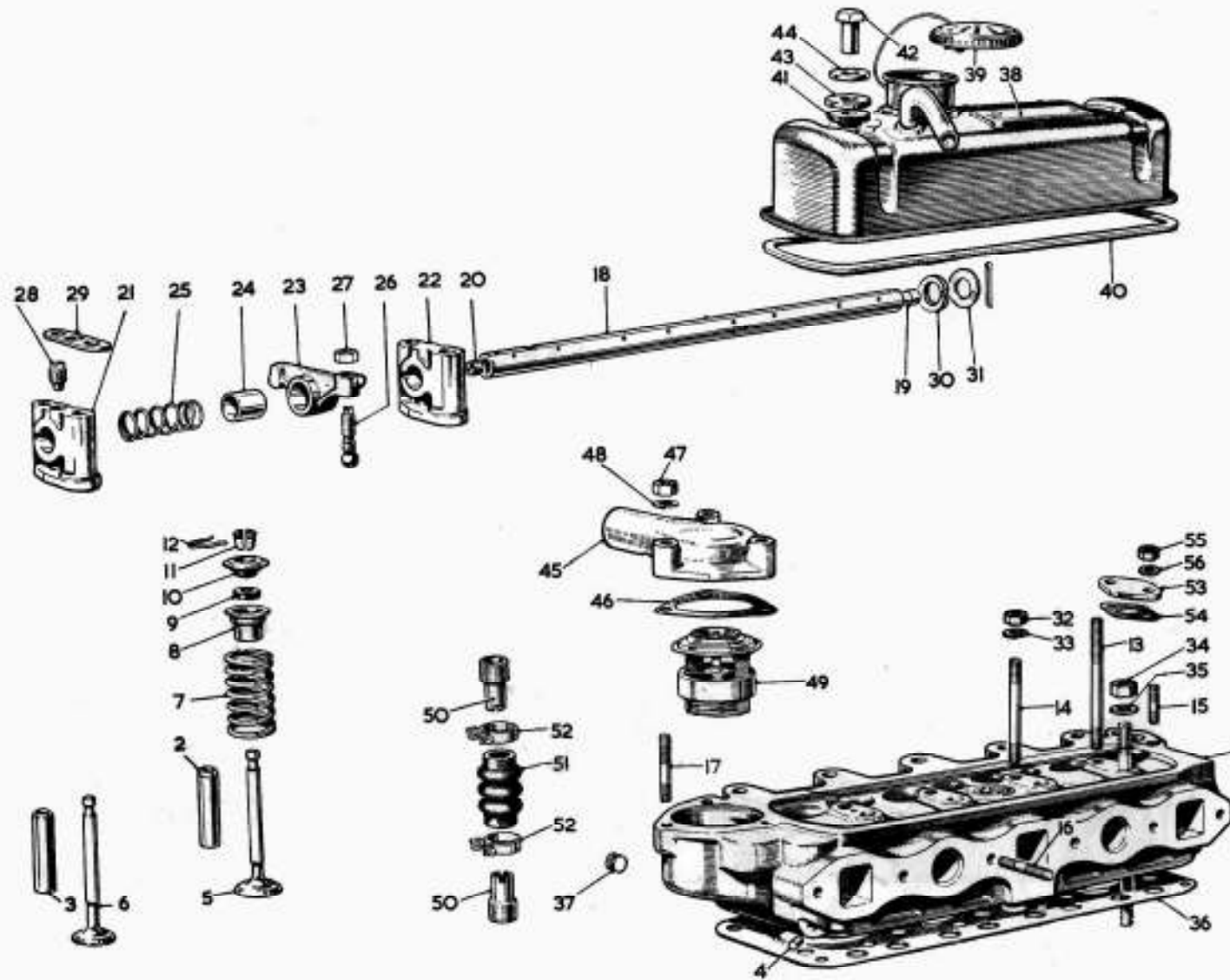
THE M.G. MIDGET

Item No.	DESCRIPTION	Commencing (E) 9CG-U-H101		Qty. per Veh.	Type of Vehicle	MODIFICATIONS			REMARKS	
		Part Number	Illus. No.			New Part Number	Change Point	Amdt. No.		
<b>CAMSHAFT</b>										
1	Camshaft (with oil pump driving pin)	AEA630	17	1						
2	Pin—oil pump driving	2A299	18	1						
3	Plate—locating	2A84	19	1						
4	Screw—plate to crankcase	HNS0406	20	8						
5	Washer for screw (shakeproof)	LWN404	21	8						
6	Gear—camshaft (with tensioner rings)	2A85	22	1						
7	Ring—tensioner	8G549	23	2						
8	Key for gear	WKN505	24	1						
9	Nut for gear	6K629	25	1						
10	Washer for nut (lock)	2A759	26	1						
11	Chain—camshaft drive	3H2127	27	1						
<b>CRANKSHAFT PULLEY</b>										
12	Pulley for crankshaft	2A040	28	1						
13	Bolt—crankshaft pulley retaining	AEA812	29	1						
14	Washer for bolt (lock)	1G1819	30	1						
<b>FLYWHEEL</b>										
15	Flywheel (with starter ring and dowels) (R)	12A182	31	1						Alternative to AEA594
16	Starter ring (Not U.K.)	12A183	32	1						Alternative to AEA596
17	Dowel—clutch to flywheel	1G2984	33	2						
18	Flywheel (with starter ring and dowels) (R)	AEA594		1						Alternative to 12A182
19	Starter ring	AEA596		1						Alternative to 12A183
20	Dowel—clutch to flywheel	1G2984		2						
21	Screw—flywheel to crankshaft	6K680	34	4						
22	Washer for screw (lock)	2K7816	35	2						
<b>TAPPETS AND PUSH-RODS</b>										
23	Tappet (standard)	2A13	36	8						
24	Tappet (.010" [-254 mm.] O/S)	2A001310		8						
25	Tappet (.020" [-508 mm.] O/S)	2A001320		8						
26	Push-rod	2A14	37	8						] Alternatives
27	Push-rod	12A180		8						
<b>DISTRIBUTOR HOUSING—SPINDLE</b>										
28	Housing for distributor	2A612	38	1						
29	Screw—housing to crankcase	HZS0406	39	1						
30	Washer for screw (shakeproof)	LWN404	40	1						
31	Spindle—distributor driving	2A139	41	1						] Alternatives
32	Spindle—distributor driving	2A847		1						



40192





A0301 B

**SERVICE PARTS LIST**

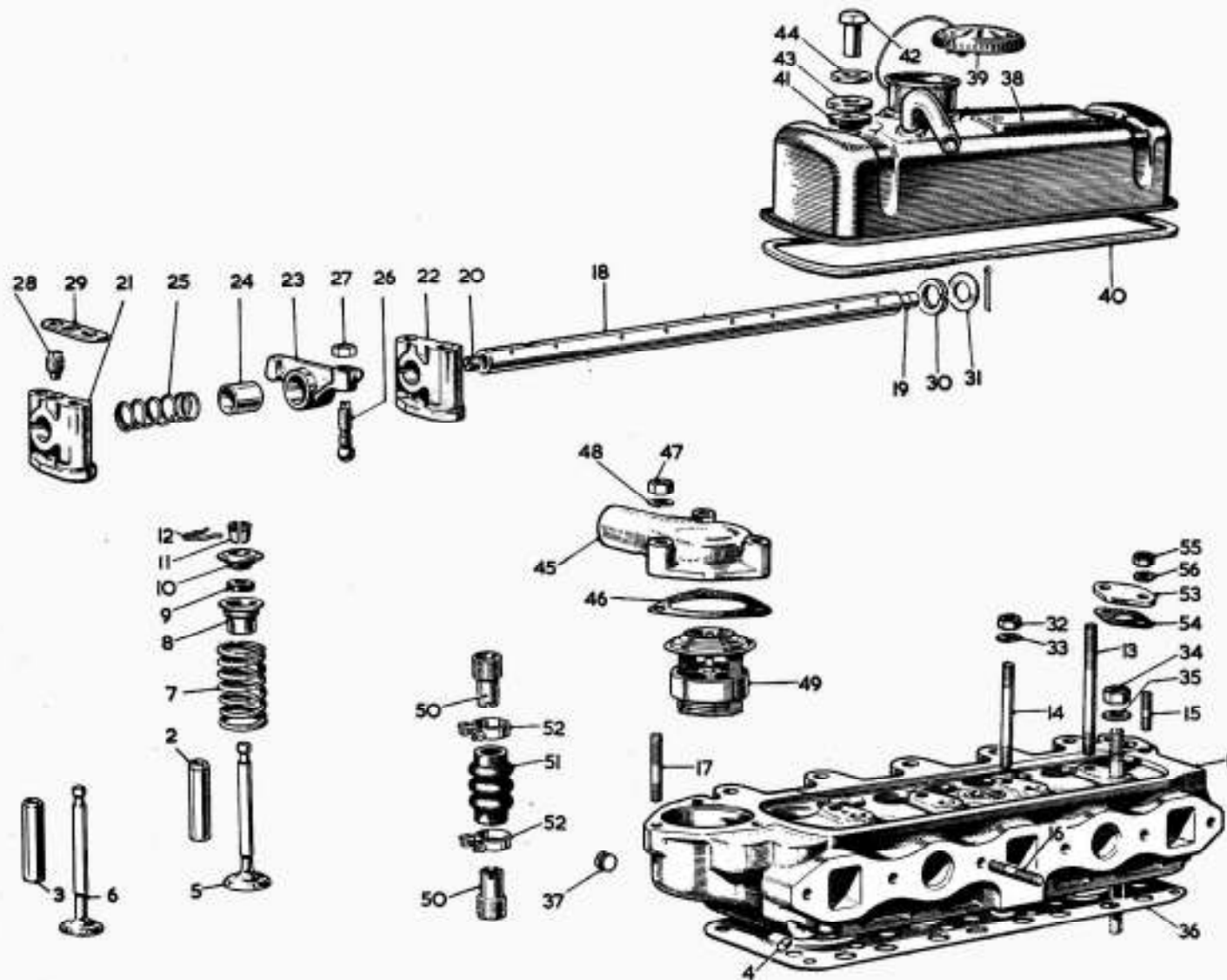
**THE M.G. MIDGET**

Item No.	DESCRIPTION	Commencing (E) 9CG-U-H101		Qty. per Veh.	Type of Vehicle	MODIFICATIONS			REMARKS
		Part Number	Illus. No.			New Part Number	Change Point	Amdt. No.	
	<b>CYLINDER HEAD—VALVES—GUIDES— SPRINGS—ROCKERS</b>								
1	Cylinder head (with valve assembly)	28G132		1					
2	Cylinder head (with valve guides)	12A184	1	1					
3	Guide—inlet valve	12A186	2	4					
4	Guide—exhaust valve	12A186	3	4					
5	Plug for oil hole	6K808	4	1					
6	Valve—inlet	AEA574	5	4					
7	Valve—exhaust	AEA434	6	4					
8	Spring—valve (outer)	AEA811	7	8					
9	Spring—valve (inner)	AEA401	57	8					
10	Collar—valve spring (top)	AEA402	10	8					
11	Cup—valve spring (bottom)	AEA403	8	8					
12	Ring—valve packing (rubber)	2A879	9	8					
13	Cotter—valve	2A11	11	16					
14	Circclip for valve cotter	2A12	12	8					
15	Stud—rocker bracket (long)	51K885	13	2					
16	Stud—rocker bracket (short)	51K1473	14	2					
17	Stud for cover-plate	58K402	15	2					
18	Stud for inlet and exhaust manifold	58K487	16	6					
19	Stud for water outlet elbow	58K530	17	3					
20	<b>Shaft assembly—valve rocker</b>	2A15		1					
21	Shaft—valve rocker (plugged)	2A16	18	1					
22	Plug for valve rocker shaft (plain)	6K878	19	1					
23	Plug for valve rocker shaft (screwed)	2K4608	20	1					
24	Bracket—rocker shaft (tapped)	2A22	21	1					
25	Bracket—rocker shaft (plain)	2A23	22	3					
26	<b>Rocker—valve (bushed)</b>	2A533	23	8					] Alternatives. Interchangeable in sets only
27	Rocker—valve (bushed)	2A964		8					
28	Bush for valve rocker	2A21	24	8					
29	Spring—rocker spacing	6K556	25	8					
30	Screw—tappet adjusting	2A535	26	8					
31	Locknut for tappet adjusting screw	6K654	27	8					
32	Screw—rocker shaft locating	2A258	28	1					
33	Plate—rocker shaft bracket	2A515	29	4					
34	Washer for rocker shaft (spring)	2A18	30	2					
35	Washer for rocker shaft	6K555	31	2					
36	Nut for rocker bracket stud	FNN105	32	4					
37	Washer for stud (spring)	LWN205	33	4					
38	Nut for cylinder head stud	51K371	34	9					
39	Washer for cylinder head stud	2K1204	35	5					
40	Joint—cylinder head	12A190	36	1					
41	Plug for thermal indicator boss (screwed)	AEC097	37	1					

**SERVICE PARTS LIST**

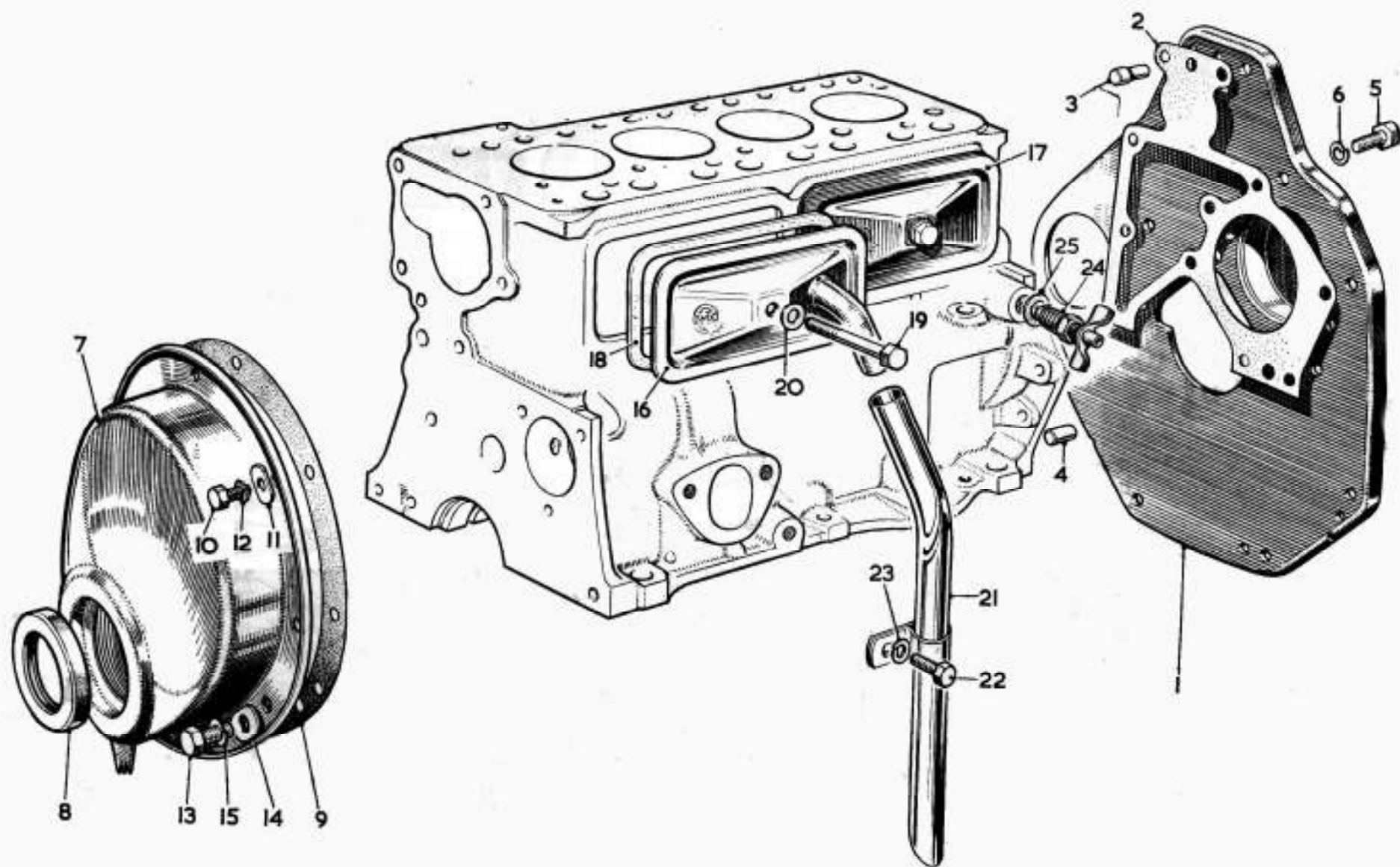
**THE M.G. MIDGET**

Item No.	DESCRIPTION	Commencing (E) 9CG-U-H101		Qty. per Veh.	Type of Vehicle	MODIFICATIONS			REMARKS
		Part Number	Illus. No.			New Part Number	Change Point	Amdt. No.	
	<b>VALVE ROCKER COVER—OIL FILLER</b>								
1	Cover—valve rocker	<b>AEA601</b>	<b>38</b>	<b>1</b>					
2	Cap and cable—oil filler	8G612	39	1					
3	Joint for cover	12A14	40	1					
4	Bush for cover (rubber)	2K8568	41	2					
5	Nut for cover	2A150	42	2					
6	Distance piece for nut	1B2925	43	2					
7	Washer for nut (cup)	2A2156	44	2					
	<b>WATER OUTLET ELBOW—THERMOSTAT—COVER-PLATE</b>								
8	Elbow—water outlet	<b>AEA306</b>	<b>45</b>	<b>1</b>					
9	Joint—elbow to cylinder head	12A29	46	1					
10	Nut for stud—elbow to cylinder head	FNZ105	47	3					
11	Washer for nut (spring)	LWN205	48	3					
12	Thermostat	<b>11K399</b>	<b>49</b>	<b>1</b>					
13	Adaptor—by-pass	2A243	50	1					
14	Connector—by-pass (rubber)	2A242	51	1					
15	Clip for connector by-pass	3H2903	52	2					
16	Plate—cover (for heater tap hole in cylinder head)	2A180	53	1					
17	Joint—plate to cylinder head	2A179	54	1					
18	Joint—plate to cylinder head	12A32	55	1					] Alternatives
19	Nut for cover stud	FNN104	55	2					
20	Washer for nut (spring)	LWN304	56	2					



A03018





A0302 B

**SERVICE PARTS LIST**

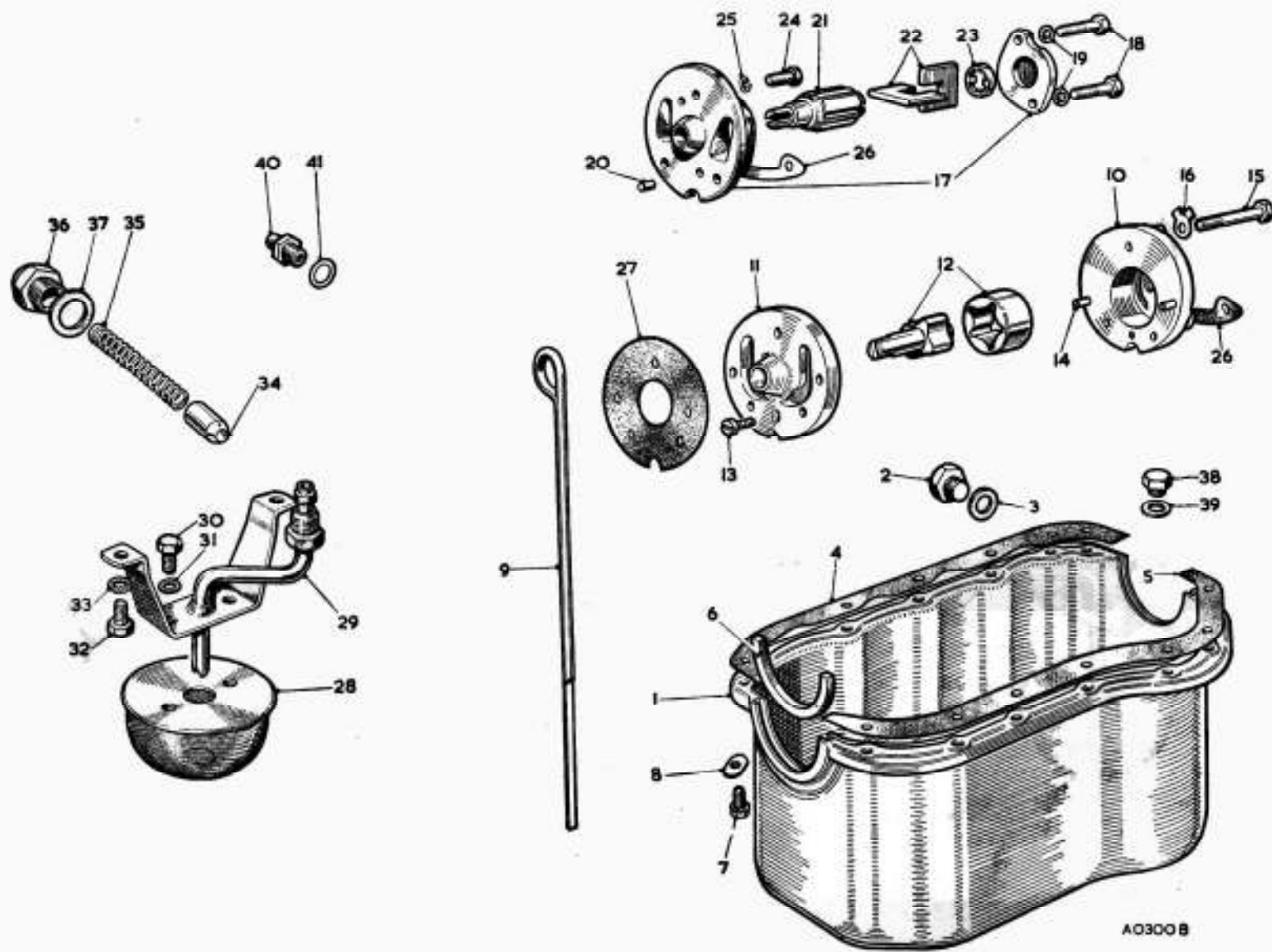
**THE M.G. MIDGET**

Item No.	DESCRIPTION	Commencing (E) 9CG-U-H101		Qty. per Veh.	Type of Vehicle	MODIFICATIONS			REMARKS
		Part Number	Illus. No.			New Part Number	Change Point	Amdt. No.	
	<b>REAR MOUNTING PLATE</b>								
1	Plate—engine mounting (rear)	2A300	1	1					] Alternatives
2	Plate—engine mounting (rear)	2A589		1					
3	Joint—mounting plate to crankcase	2A123	2	1					
4	Dowel—mounting plate (top)	1K52	3	1					
5	Dowel—mounting plate (bottom)	1G752	4	1					
6	Screw—mounting plate to crankcase	HZS0505	5	7					
7	Washer for screw (spring)	LWZ305	6	7					
	<b>CYLINDER FRONT AND SIDE COVERS</b>								
8	Cover—front (with oil catcher and seal)	2A937	7	1					
9	Seal—oil	2A939	8	1					
10	Joint for front cover	1A2093	9	1					
11	Screw—front cover to mounting plate	HZS0403	10	6					
12	Washer for screw (plain)	2K5107	11	6					
13	Washer for screw (spring)	LWN204	12	6					
14	Screw—front cover to mounting plate and crankcase	HZS0505	13	4					
15	Washer for screw (plain)	2K7440	14	4					
16	Washer for screw (spring)	LWZ305	15	4					
17	Cover—cylinder side—front (with elbow)	12H155	16	1					
18	Cover—cylinder side (rear)	12H152	17	1					
19	Joint for cover	12A24	18	2					
20	Bolt—side cover to cylinder block	HBZ0515	19	2					
21	Washer for bolt	2K4958	20	2					
22	Pipe (with clip)—crankcase vent	2A118	21	1					
23	Screw for vent pipe clip	HZS0505	22	1					
24	Washer for screw (spring)	LWZ305	23	1					
	<b>CYLINDER DRAIN TAP</b>								
25	Tap—drain	3H576	24	1					
26	Washer for drain tap (fibre)	2K4954	25	1					] Alternatives
27	Washer for drain tap (fibre)	2K4975		1					

**SERVICE PARTS LIST**

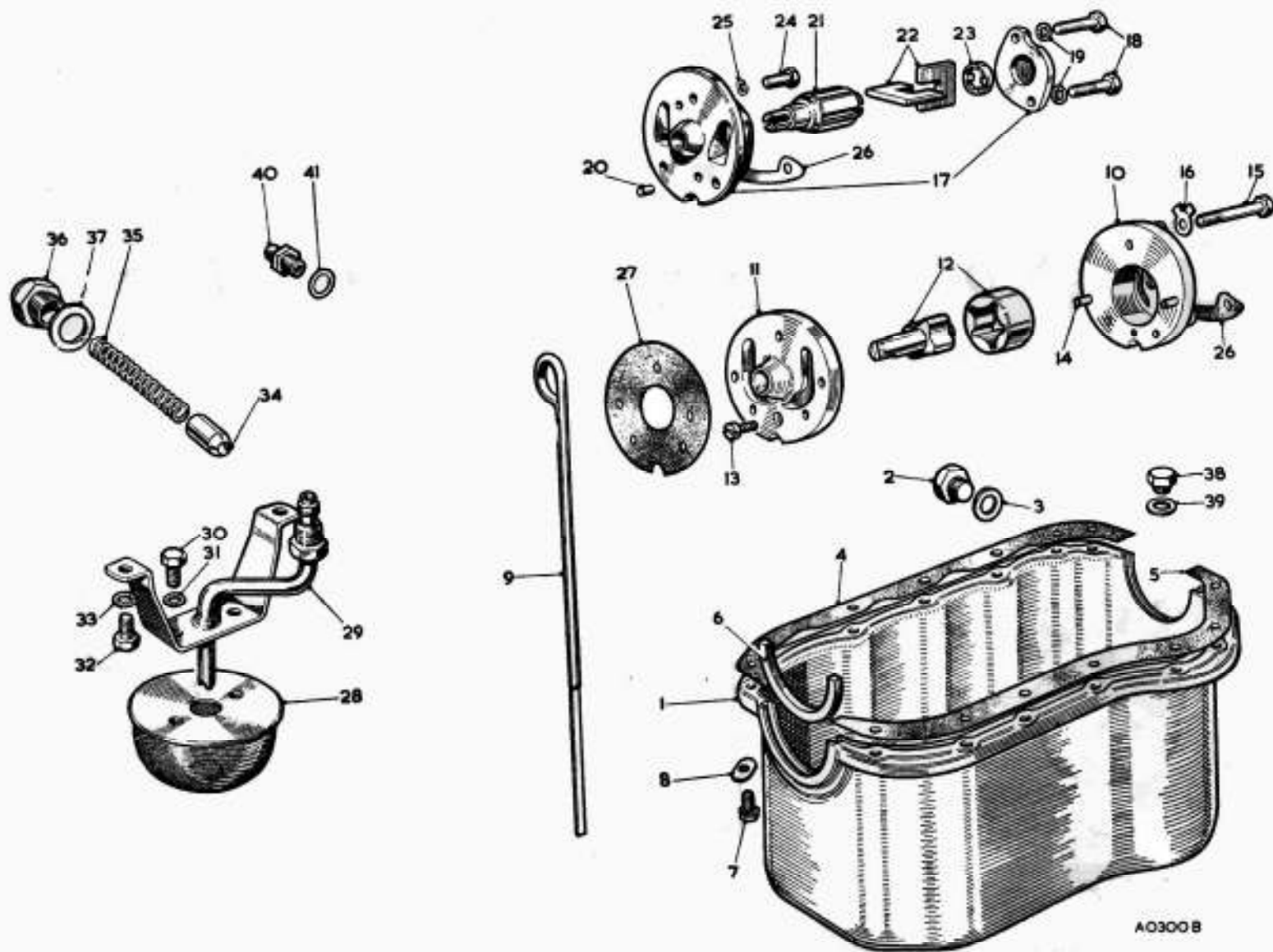
**THE M.G. MIDGET**

Item No.	DESCRIPTION	Commencing (E) 9CG-U-H101		Qty. per Veh.	Type of Vehicle	MODIFICATIONS			REMARKS
		Part Number	Illus. No.			New Part Number	Change Point	Amdt. No.	
	<b>SUMP—DIPPER ROD</b>								
1	Sump—oil	2A704	1	1					
2	Plug for sump—drain	2F4240	2	1					] Alternatives
3	Plug for sump—drain	2A880	2	1					
4	Washer for drain plug (copper)	6K688	3	1					
5	Joint—sump to crankcase—R.H.	12A20	4	1					
6	Joint—sump to crankcase—L.H.	12A12	5	1					
7	Seal—oil—main bearing cap	2A280	6	2					
8	Screw (with captive washer)	6K689	7	14					
9	Washer for screw	2K5197	8	14					
10	Rod—dipper	2A294	9	1					



A0300 B





A0300B

**SERVICE PARTS LIST**

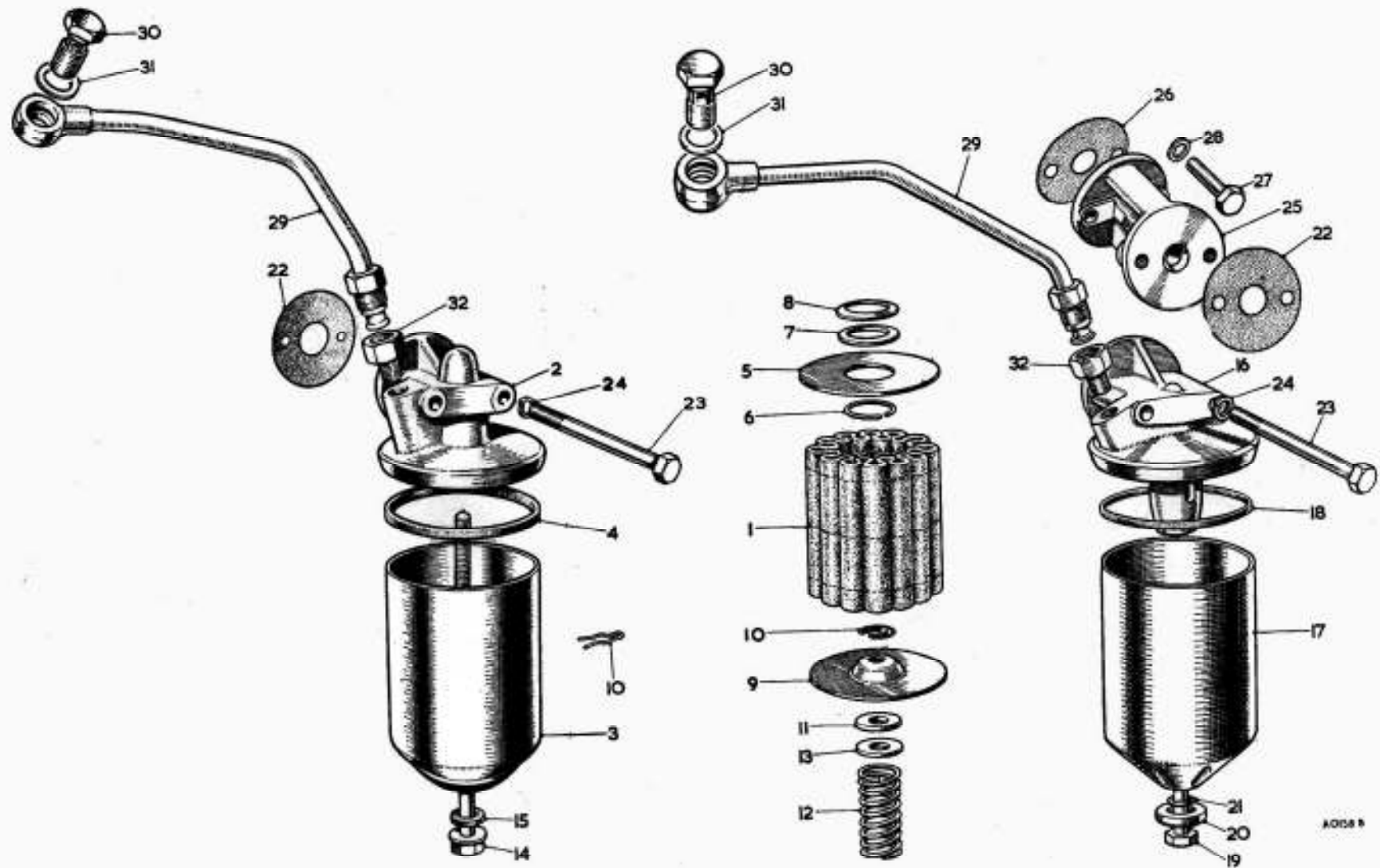
**THE M.G. MIDGET**

Item No.	DESCRIPTION	Commencing (E) 9CG-U-H101		Qty. per Veh.	Type of Vehicle	MODIFICATIONS			REMARKS
		Part Number	Illus. No.			New Part Number	Change Point	Amdt. No.	
	<b>OIL PUMP—STRAINER—RELEASE VALVE</b>								
1	<b>Oil pump (Hobourn) (R)</b>	<b>2A962</b>		<b>1</b>					<b>Alternative</b>
2	Body	17H1962	10	1					
3	Cover (plain hole)	17H6427	11	1					
4	Shaft—driving (with inner and outer rotors)	17H1965	12	1					
5	Screw—cover to body	AJD8204Z	13	1					
6	Dowel	17H1964	14	2					
7	Screw—pump to crankcase	HBN0414	15	3					
8	Washer for screw (lock)	2A889	16	1					
9	<b>Oil pump (Burman) (R)</b>	<b>2A819</b>		<b>1</b>					<b>Alternative</b>
10	Body and cover assembly	8C8181	17	1					
11	Screw—cover to body	7H6795	18	2					
12	Washer for screw (shakeproof)	7H6796	19	2					
13	Dowel	7H6813	20	2					
14	Rotor	7H6810	21	1					
15	Vane for rotor	7H6807	22	2					
16	Sleeve for rotor	7H6808	23	1					
17	Screw—pump to crankcase	HZS0405	24	3					
18	Washer for screw (spring)	LWN304	25	1					
19	<b>Oil pump (concentric) (R)</b>	<b>12A107</b>		<b>1</b>					<b>Alternative</b>
20	Screw—pump to crankcase	HBN0414		3					
21	Washer for screw (lock)	2A889		1					
22	Plate for screw—lock (for all pumps)	2A522	26	1					
23	Joint—pump to crankcase	2A494	27	1					
24	<b>Strainer—oil</b>	<b>2A668</b>	<b>28</b>	<b>1</b>					
25	Pipe (with oil strainer bracket)—suction	2A957	29	1					
26	Screw—bracket to oil strainer	HNS0404	30	2					
27	Washer for screw (shakeproof)	LWN404	31	2					
28	Screw—bracket to bearing cap	HNS0404	32	2					
29	Washer for screw (shakeproof)	LWN404	33	2					
30	<b>Valve—oil release</b>	<b>1G1452</b>	<b>34</b>	<b>1</b>					
31	Spring for oil release valve	6K853	35	1					
32	Nut for oil release valve (cap)	1A2206	36	1					
33	Washer for cap nut	2K4982	37	2					
34	Plug—oil priming	2K4904	38	1					
35	Washer for plug (copper)	6K464	39	1					
36	Union—oil pressure	2A269	40	1					
37	Washer for union (fibre)	2K4956	41	1					

SERVICE PARTS LIST

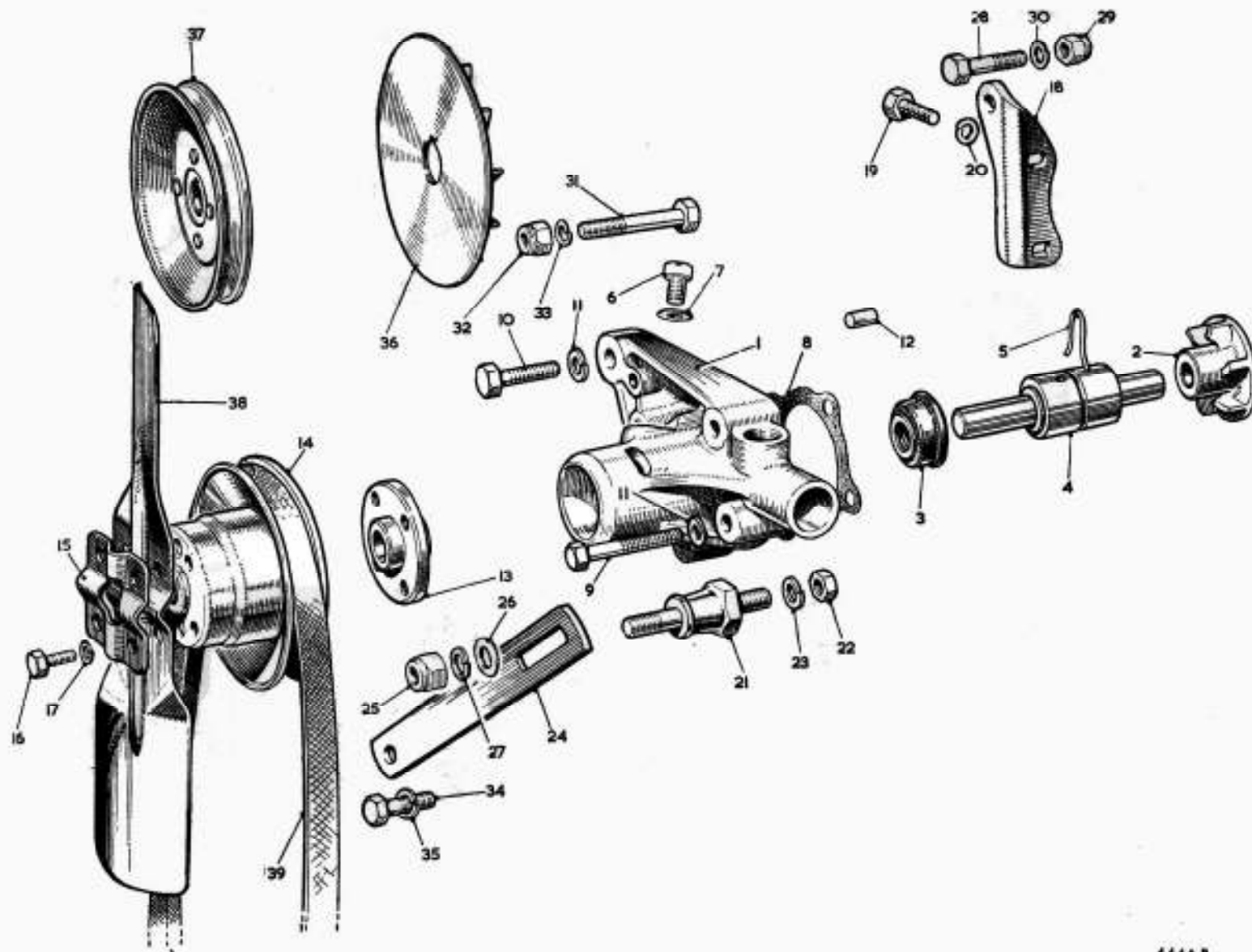
THE M.G. MIDGET

Item No.	DESCRIPTION	Commencing (E) 9CG-U-H101		Qty. per Veh.	Type of Vehicle	MODIFICATIONS		REMARKS
		Part Number	Illus. No.			New Part Number	Change Point	
	<b>OIL FILTER</b>							
1	Filter—oil (Tecalomit)	2A789		1				Alternative to 12A141
2	Element	8G684	1	1				
3	Head assembly	17H945	2	1				
4	Sump	37H436	3	1				
5	Seal—sump to head	8G711	4	1				
6	Plate—element clamp	7H147	5	1				
7	Circlip—plate to head	2A700	6	1				
8	Washer for clamp plate (felt)	7H1756	7	1				
9	Washer for clamp plate (dished)	7H1761	8	1				
10	Plate—pressure	17H942	9	1				
11	Circlip—plate to centre-bolt	7H1840	10	1				
12	Washer for pressure plate (felt)	7H1758	11	1				
13	Spring—pressure plate	7H1764	12	1				
14	Washer for spring	7H1765	13	1				
15	Bolt—centre	17H943	14	1				
16	Seal—bolt to sump	7H1759	15	1				
17	Filter—oil (Purolator)	12A141		1				Alternative to 2A789
18	Element	8G684	1	1				
19	Head assembly	37H890	16	1				
20	Plate—clamping	37H891	17	1				
21	Ball—relief valve	27H7466	18	1				
22	Seal—sump to head	37H1983	19	1				
23	Sump	17H1169	20	1				
24	Bolt—ce	37H689	21	1				
25	Collar—cent - olt	17H1172	22	1				
26	Seal—centre - t collar	17H1173	23	1				
27	Plate—pressure	17H1148	24	1				
28	Seal—pressure plate	7H28	25	1				
29	Spring—pressure plate	7H25	26	1				
30	Washer for pressure plate spring	7H7533	27	1				
31	Joint—oil filter to adaptor	12A143	28	1				
32	Bolt—oil filter to adaptor	HCZ0628	29	2				
33	Washer for bolt (spring)	LWZ206	30	2				
34	Adaptor for oil filter	AEA305	31	1				
35	Joint—adaptor to crankcase	12A143	32	1				
36	Screw—adaptor to crankcase	NCS0608	33	2				
37	Washer for screw (spring)	LWN206	34	2				
38	Pipe—	AEA313	35	1				
39	Screw f. banjo union	2A715	36	1				
40	Washer for screw (copper)	AED172	37	2				
41	Connection	TCN206	38	1				



ACORN





4446 B

SERVICE PARTS LIST

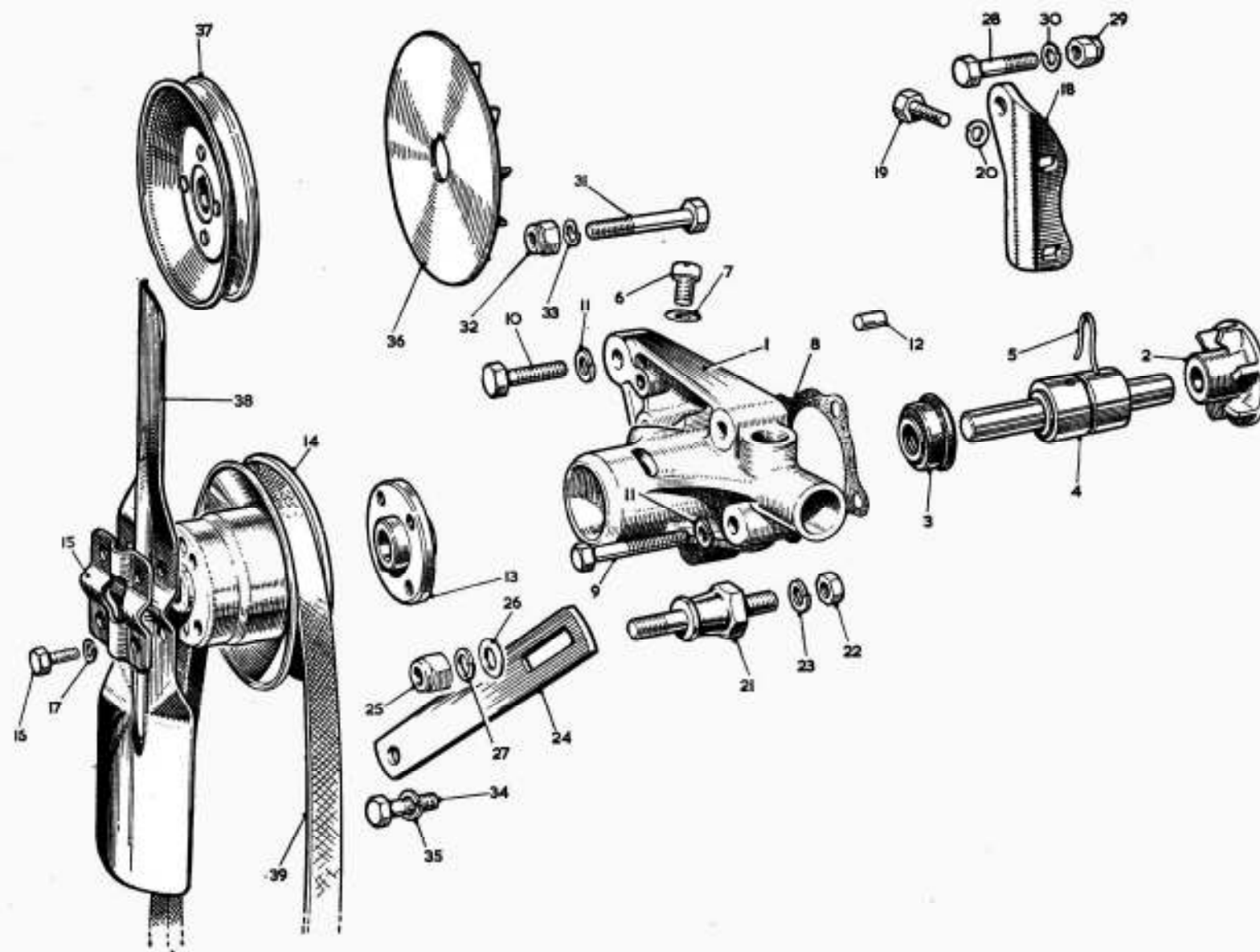
THE M.G. MIDGET

Item No.	DESCRIPTION	Commencing (E) 9CG-U-H101		Qty. per Veh.	Type of Vehicle	MODIFICATIONS			REMARKS
		Part Number	Illus. No.			New Part Number	Change Point	Amdt. No.	
	<b>WATER PUMP—FAN PULLEY</b>								
1	<b>Pump assembly—water</b> (R)	<b>2A774</b>		<b>1</b>					
2	Body	2A776	1	1					
3	Vane	2A664	2	1					
4	Seal	8C698	3	1					] Alternatives
5	Seal	8C697		1					
6	Bearing (with spindle)	2A777	4	1					
7	Wire—bearing locating	2A778	5	1					
8	Screw for lubricating point	58K1433	6	1					
9	Washer for screw (fibre)	2K4974	7	1					
10	Hub for pulley	2A665	13	1					
11	Adaptor—by-pass	2A243		1					
12	Joint—pump to crankcase	2A667	8	1					] Alternatives
13	Joint—pump to crankcase	12A31		1					
14	Screw—pump to crankcase (long)	HZS0515	9	2					
15	Screw—pump to crankcase (short)	HZS0510	10	2					
16	Washer for screw (spring)	LWN305	11	4					
17	Dowel for water pump	2K6124	12	2					
18	<b>Pulley for fan and water pump</b>	<b>2A601</b>	<b>10</b>	<b>1</b>					
19	Stiffener for fan blade	2A803	15	1					
20	Screw—fan to pulley	HZS0406	16	4					
21	Washer for screw (spring)	LWN204	17	4					
22	<b>Kit—water pump repair</b>	<b>8G2312</b>		<b>1</b>					
23	Vane		2	1					
24	Seal		3	1					
25	Bearing (with spindle)		4	1					
26	Wire—bearing locating		5	1					
27	Screw for lubricating point		6	1					
28	Washer for screw (fibre)		7	1					
29	Hub for pulley		13	1					
30	Joint—pump body		8	1					

SERVICE PARTS LIST

THE M.G. MIDGET

Item No.	DESCRIPTION	Commencing (E) 9CG-U-H101		Qty. per Veh.	Type of Vehicle	MODIFICATIONS			REMARKS
		Part Number	Illus. No.			New Part Number	Change Point	Amdt. No.	
	<b>DYNAMO MOUNTING</b>								
1	Bracket for dynamo (rear)	2A758	18	1					
2	Screw—bracket to crankcase	HZS0507	19	2					
3	Washer for screw (spring)	LWZ305	20	2					
4	Pillar—dynamo adjusting link	2A128	21	1					
5	Nut for pillar	FNZ106	22	1					
6	Washer for nut (spring)	LWZ306	23	1					
7	Link—dynamo adjusting	AEA325	24	1					
8	Nut for adjusting link	LNZ206	25	1					
9	Washer for nut (plain)	2K9932	26	1					
10	Washer for nut (spring)	LWZ306	27	1					
11	Screw—dynamo to bracket	HZS0509	28	1					
12	Nut for screw	LNZ205	29	1					
13	Washer for screw (spring)	2K5319	30	1					
14	Bolt—dynamo to water pump	HBZ0513	31	1					
15	Nut for bolt	LNZ205	32	1					
16	Washer for bolt (spring)	LWZ305	33	1					
17	Screw—adjusting link to dynamo	3H2008	34	1					
18	Washer for screw (spring)	LWZ305	35	1					
19	Fan for dynamo	1G1733	36	1					
20	Pulley for dynamo	1H993	37	1					
	<b>FAN AND FAN BELT</b>								
21	Blade—fan	AEA301	38	2					
22	Belt for fan (wedge type)	AEA480	39	1					
	<b>CYLINDER LINER</b>								
23	Liner for cylinder block	2A784		4					For repair purposes only
	<b>BLANKING SLEEVE</b>								
24	Sleeve—blanking—thermostat by-pass	11G176		1					For use when thermostat is removed



4446 B



**SERVICE PARTS LIST**

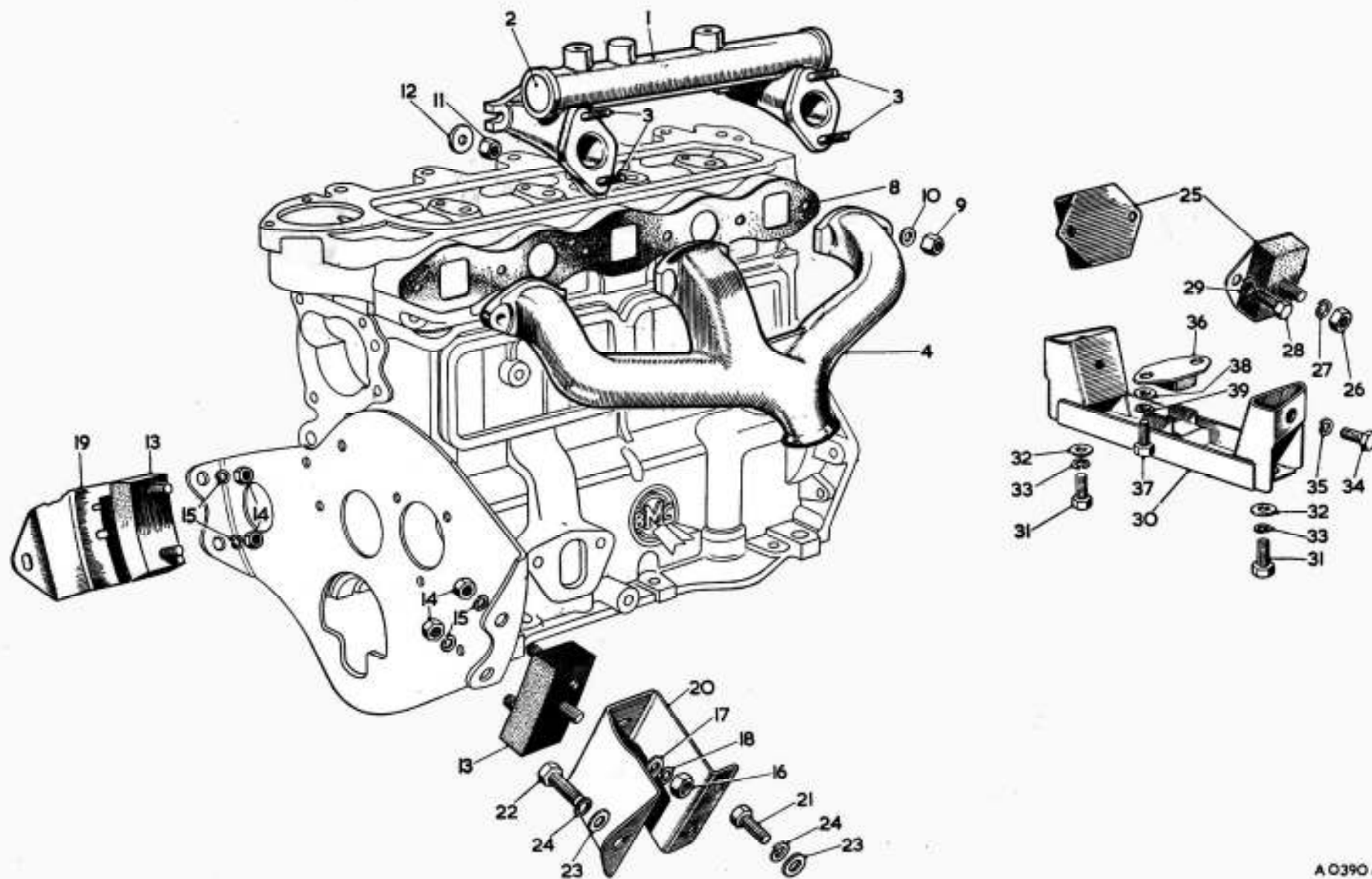
**THE M.G. MIDGET**

Item No.	DESCRIPTION	Commencing (E) 9CG-U-H101		Qty. per Veh.	Type of Vehicle	MODIFICATIONS			REMARKS
		Part Number	Illus. No.			New Part Number	Change Point	Amdt. No.	
	<b>ENGINE SERVICE KITS</b>								
1	Joint set—decarbonizing	<b>8G2320</b>		<b>1</b>					
2	Joint—cylinder head			1					
3	Joint—manifold			1					
4	Joint—valve rocker cover			1					
5	Ring—valve packing (rubber)			8					
6	Joint—carburetter			6					
7	Joint—exhaust manifold blanking plate			1					
8	Joint—heater tap hole cover-plate			1					
9	Joint set—supplementary	<b>8G2332</b>		<b>1</b>					<b>Use with relevant joint set for complete engine overhaul</b>
10	Seal—oil—main bearing cap			2					
11	Joint—front mounting plate			1					
12	Joint—front cover			1					
13	Joint—side cover			2					
14	Joint—oil pump			1					
15	Joint—sump—R.H.			1					
16	Joint—sump—L.H.			1					
17	Joint—water pump			1					
18	Joint—petrol pump			1					
19	Joint—rear mounting plate			1					
20	Washer—oil priming plug (copper)			1					
21	Washer—sump drain plug (copper)			1					

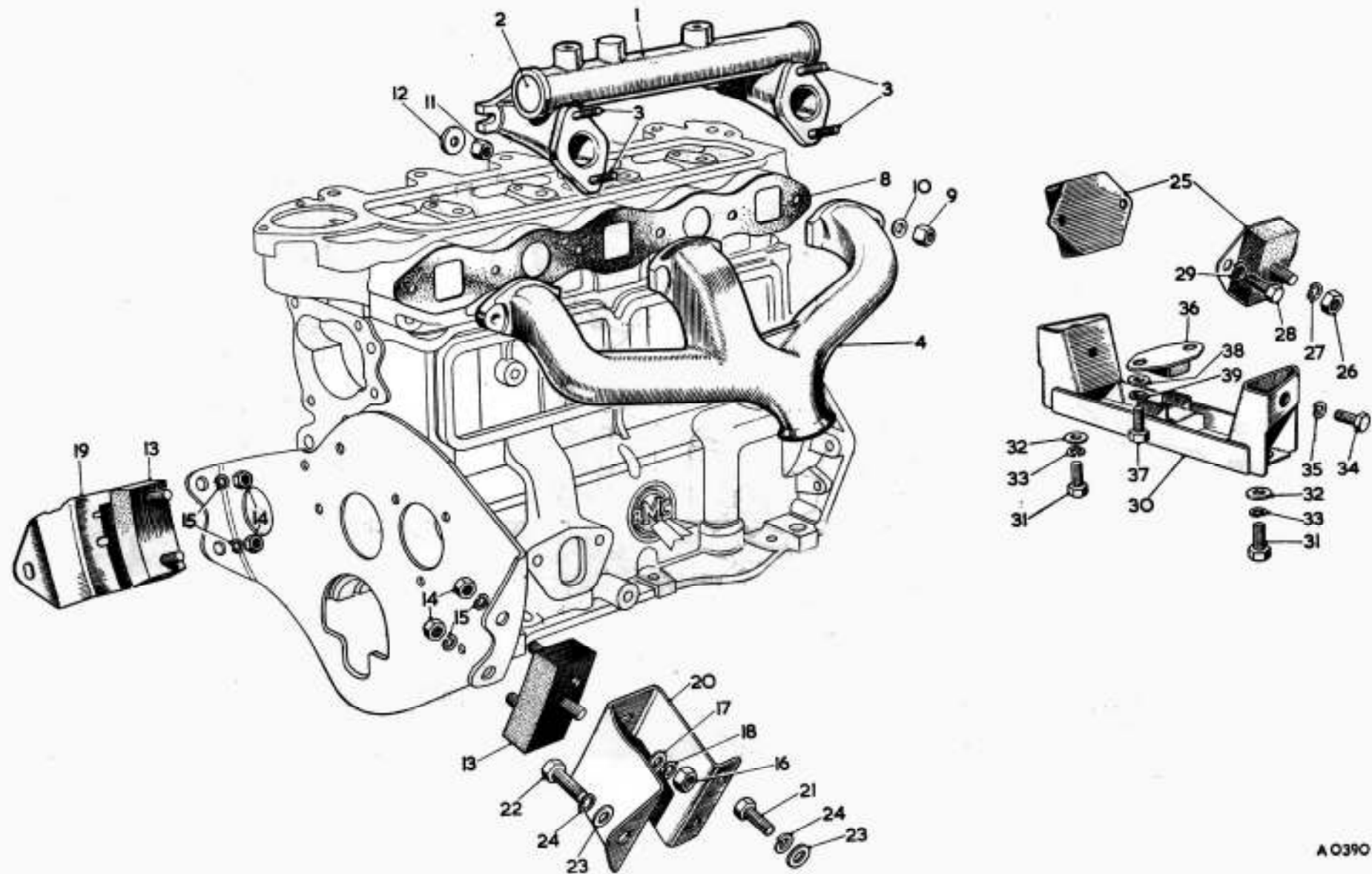
SERVICE PARTS LIST

THE M.G. MIDGET

Item No.	DESCRIPTION	Commencing (E) 9CG-U-H101		Qty. per Veh.	Type of Vehicle	MODIFICATIONS			REMARKS
		Part Number	Illus. No.			New Part Number	Change Poin.	Amdt. No.	
	<b>INLET AND EXHAUST MANIFOLD</b>								
1	Manifold—inlet (with plug and studs)	AEA576	1	1		AEA 0633			
2	Plug for inlet manifold	2K8159	2	2					
3	Stud—carburettor to manifold	CLS2020	2	4					
4	Manifold—exhaust	12A191	4	1					
5	Joint—inlet and exhaust manifolds to cylinder head	12A192	8	1					
6	Nut for stud—inlet and exhaust manifolds to cylinder head	BNN105	9	4					
7	Washer for inlet and exhaust manifold stud	2A110	10	4					
8	Nut for stud—exhaust manifold to cylinder head	BNN105	11	2					
9	Washer for exhaust manifold stud	2K1208	12	2					



A0390A



A0390A



SERVICE PARTS LIST

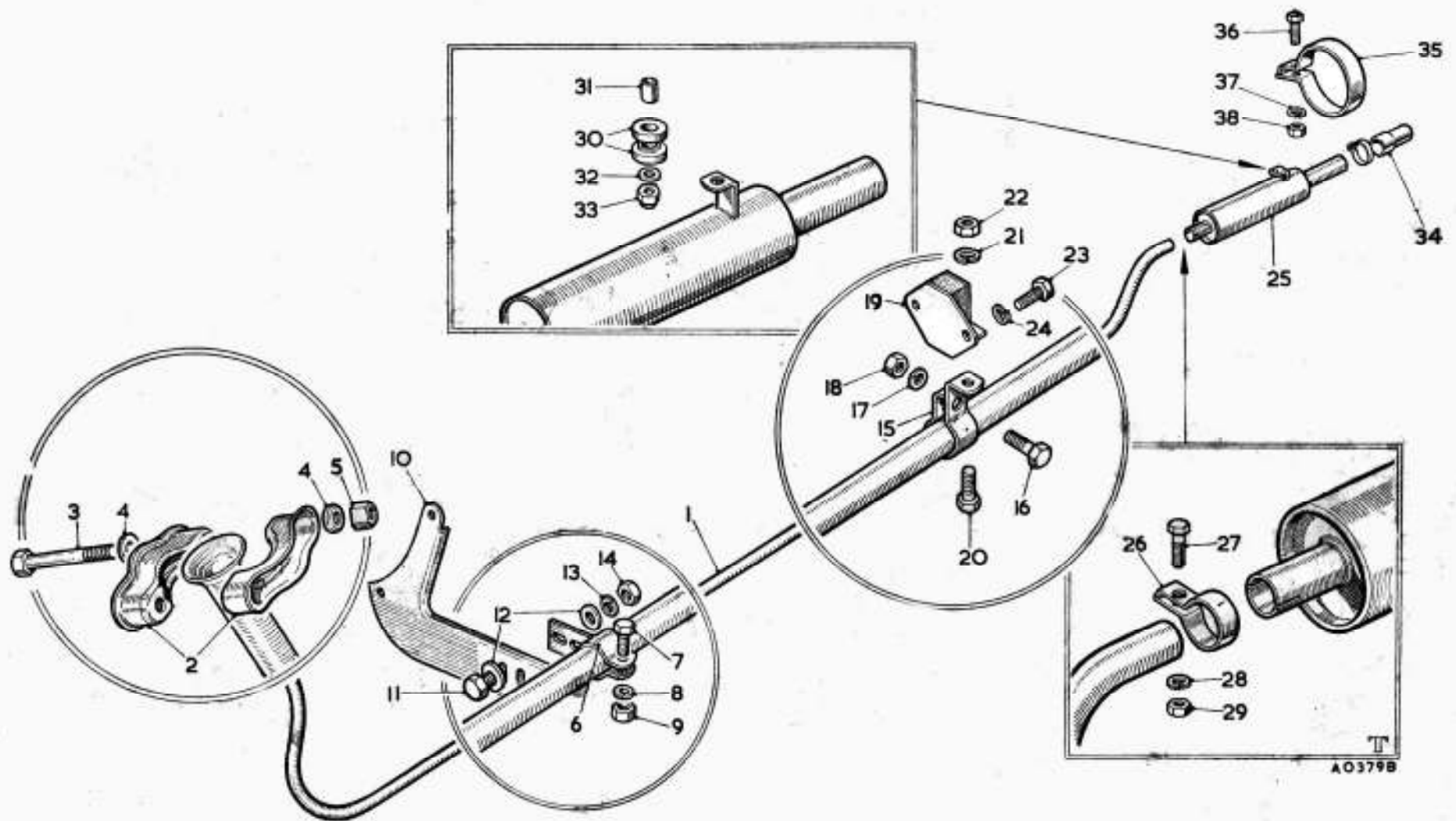
THE M.G. MIDGET

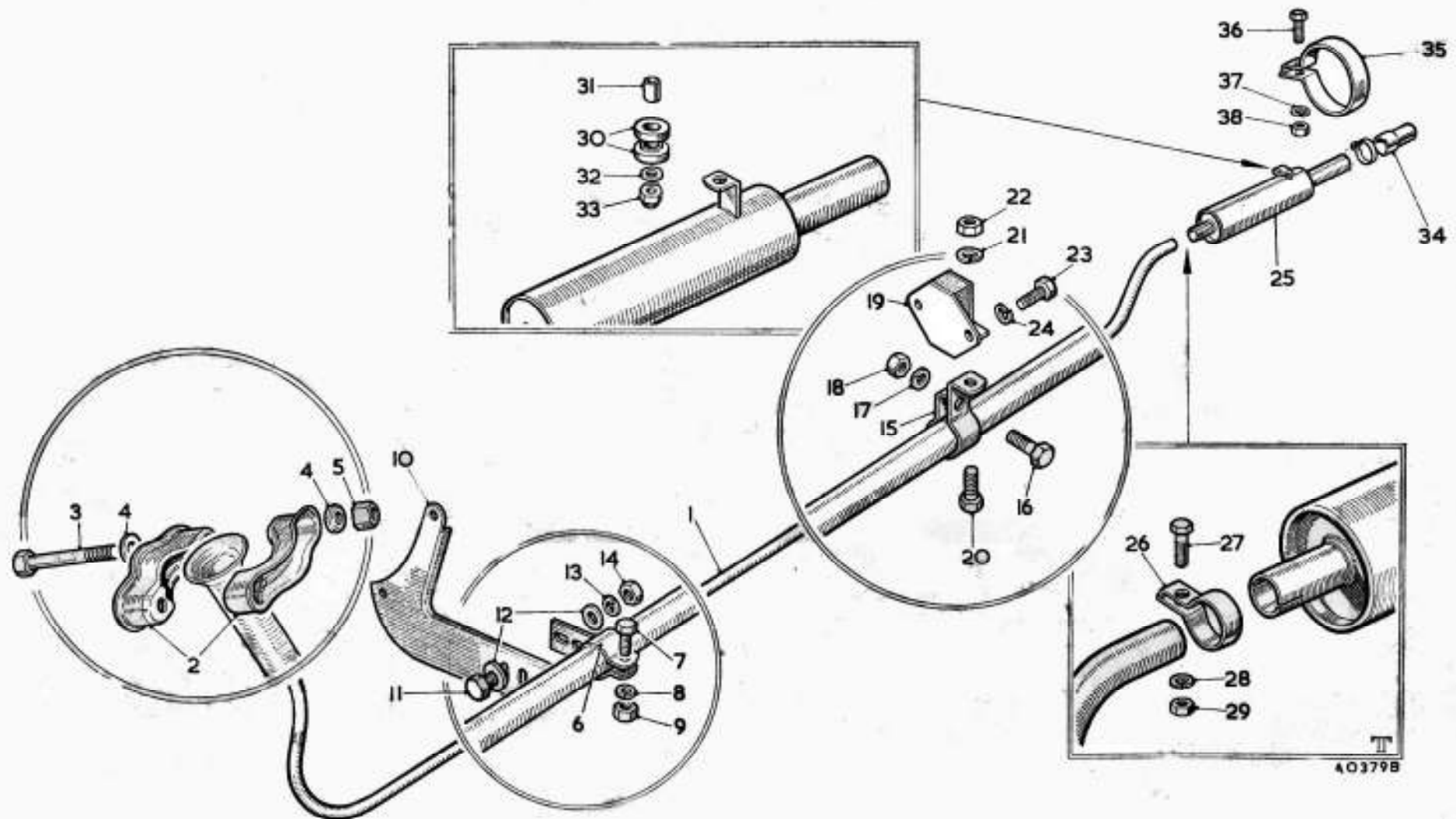
Item No.	DESCRIPTION	Commencing (C) GAN1/101		Qty. per Veh.	Type of Vehicle	MODIFICATIONS			REMARKS
		Part Number	Illus. No.			New Part Number	Change Point	Amdt. No.	
	<b>ENGINE MOUNTINGS</b>								
1	Mounting assembly (front)	ANA5484	13	2					
2	Nut—mounting to engine	FNZ105	14	4					
3	Washer for nut (spring)	LWZ305	15	4					
4	Nut—mounting to bracket	FNZ106	16	2					
5	Washer for nut (plain)	2K1204	17	2					
6	Washer for nut (spring)	LWZ306	18	2					
7	Bracket—engine mounting—front—R.H.	2A5570	19	1					
8	Bracket—engine mounting—front—L.H.	2A5571	20	1					
9	Screw—bracket to frame (½" [15-87 mm.])	HZS0505	21	5					
10	Screw—bracket and fuel pipe clip to frame (½" [19-05 mm.])	HZS0506	22	1					
11	Washer for screw (plain)	PWZ105	23	6					
12	Washer for screw (spring)	2K5819	24	6					
13	Mounting assembly (rear)	2A5422	25	2					
14	Nut—mounting to support	FNZ108	26	2					
15	Washer for nut (spring)	LWZ206	27	2					
16	Screw—mounting to gearbox	58K154	28	4					
17	Washer for screw (spring)	LWZ205	29	4					
18	Plate assembly—rear mounting support	2A5552	30	1					
19	Bolt—support plate to cross-member	HBZ0626	31	2					
20	Washer for screw (plain)	PWZ106	32	2					
21	Washer for screw (spring)	LWZ206	33	2					
22	Screw—support plate to gearbox cover	HZS0505	34	2					
23	Washer for screw (spring)	LWZ205	35	2					
24	Rubber—tie—rear mounting	2A5420	36	1					
25	Screw—tie rubber to gearbox	58K154	37	2					
26	Washer for screw (plain)	PWZ105	38	2					
27	Washer for screw (spring)	LWZ205	39	2					

SERVICE PARTS LIST

THE M.G. MIDGET

Item No.	DESCRIPTION	Commencing (C) GAN1/101		Qty. per Veh.	Type of Vehicle	MODIFICATIONS			REMARKS
		Part Number	Illus. No.			New Part Number	Change Point	Amdt. No.	
	<b>EXHAUST SYSTEM</b>								
1	Pipe—exhaust	<b>AHA5360</b>	1	1					
2	Pipe—exhaust	(EUROPE) A5688	1	1					
3	Clamp—pipe to manifold	2A287	2	2					
4	Screw for clamp	HZS0518	3	2					
5	Washer for screw (plain)	2K5806	4	4					
6	Nut for screw	AHH5171	5	2					
7	Clip for pipe support (front)	AHA5239	6	1					
8	Screw—clip to pipe	HZS0508	7	1					
9	Washer for screw (spring)	LWZ205	8	1					
10	Nut for screw	FNZ105	9	1					
11	Bracket—mounting—pipe to clutch housing bolt	AHA5861	10	1					
12	Screw—clip to bracket	HZS0506	11	2					
13	Washer for screw (plain)	PWZ105	12	4					
14	Washer for screw (spring)	LWZ205	13	2					
15	Nut for screw	FNZ105	14	2					
16	Clip for pipe support (rear)	2A2091	15	1					
17	Screw—clip to pipe	HZS0407	16	1					
18	Washer for screw (spring)	LWZ204	17	1					
19	Nut for screw	FNZ104	18	1					
20	Mounting—pipe (rubber)	<del>2A18074</del>	<del>19</del>	1	<i>2A18074</i>				
21	Screw—clip to mounting	HZS0505	20	1					
22	Washer for screw (spring)	LWZ205	21	1					
23	Nut for screw	FNZ105	22	1					
24	Screw—mounting to cross-member	HZS0505	23	2					
25	Washer for screw (spring)	LWZ205	24	2					
26	<b>Silencer assembly</b>	<b>2A2090</b>	25	1					] Alternatives
27	Silencer assembly	ARA79	1	1					
28	Silencer assembly	(EUROPE) ARA116	1	1					
29	Clip—silencer to pipe	AHA5854	26	1					
30	Screw for clip	HZS0507	27	1					
31	Washer for screw (spring)	LWZ205	28	1					
32	Nut for screw	FNZ105	29	1					
33	Bush—silencer support (rubber)	AHA5689	30	2					
34	Spacer for bush	AHA5690	31	1					
35	Washer (plain)	PWZ205	32	1					
36	Locknut fixing silencer	LNZ105	33	1					] Alternatives
37	Locknut fixing silencer	LNZ205	1	1					





40379B



# SERVICE PARTS LIST

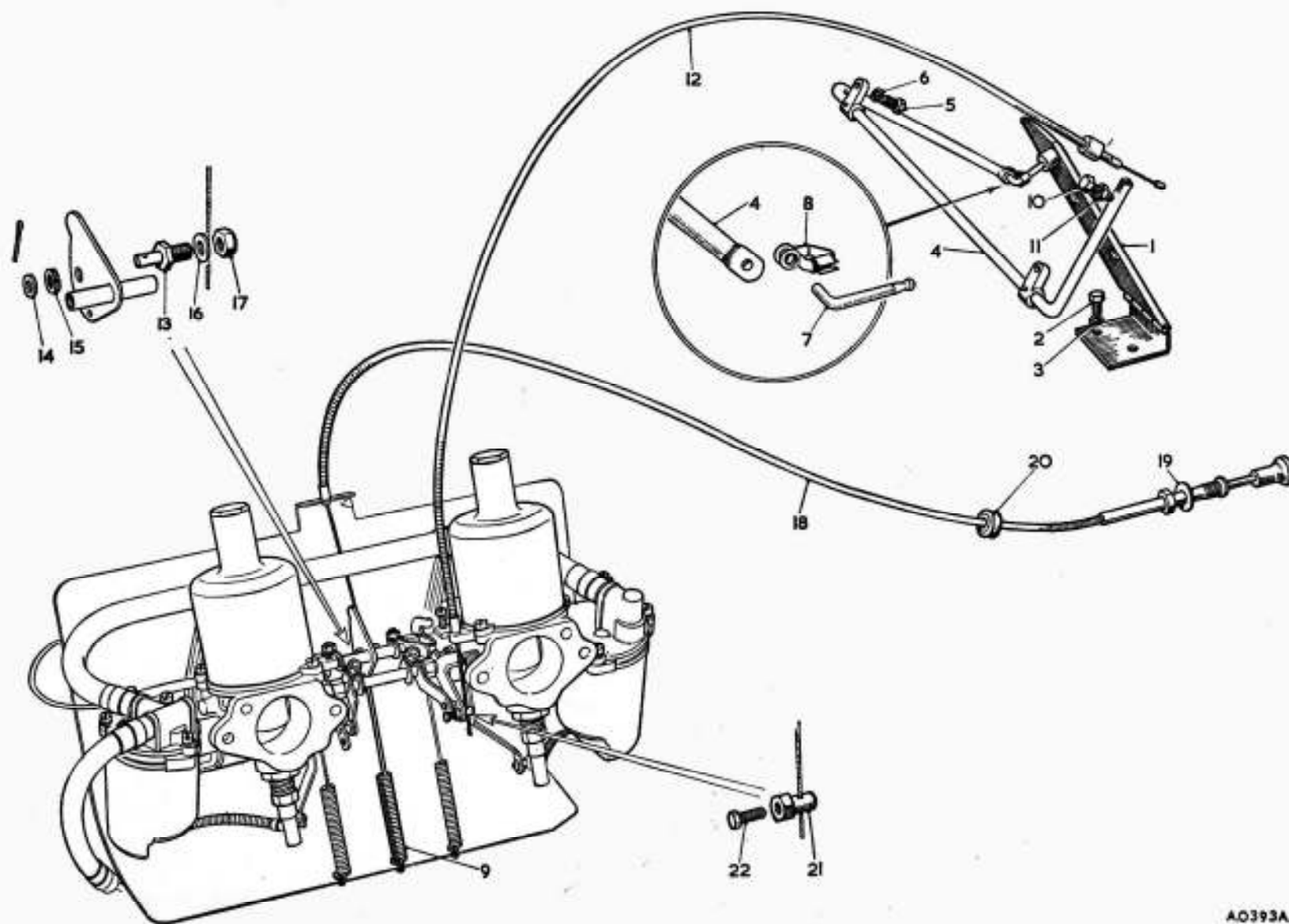
THE M.G. MIDGET

Item No.	DESCRIPTION	Commencing (C) GAN1/101		Qty. per Veh.	Type of Vehicle	MODIFICATIONS			REMARKS
		Part Number	Illus. No.			New Part Number	Change Point	Amdt. No.	
1	<b>Exhaust System—continued</b>								
2	<b>Extension—silencer tail pipe</b>	<b>AHA6172</b>	<b>34</b>	<b>1</b>					
3	Clip for extension	AHA6173	35	1					
4	Screw for clip	HZ50507	36	1					
5	Washer for screw (spring)	LWZ2905	37	1					
6	Nut for screw	FNZ105	38	1					

SERVICE PARTS LIST

THE M.G. MIDGET

Item No.	DESCRIPTION	Commencing (C) GAN1/101		Qty. per Veh.	Type of Vehicle	MODIFICATIONS			REMARKS
		Part Number	Illus. No.			New Part Number	Change Point	Amdt. No.	
	<b>ENGINE CONTROLS</b>								
1	Pedal—accelerator.....	11G2034	1	1					
2	Screw—pedal to floor.....	HZS0404	2	2					
3	Washer for screw (spring).....	LWZ204	2	2					
4	Lever—pedal.....	2A2077	4	1					
5	Screw—lever bracket to foot-well.....	HZS0407	5	2					
6	Washer for screw (spring).....	LWZ204	6	2					
7	Link—pedal.....	2A2079	7	1					
8	Clip—link to lever.....	18HT2	8	1					
9	Spring—pedal return.....	AEA602	9	1					
10	Screw—pedal lever stop.....	HZS0407	10	1					
11	Locknut for screw.....	FNZ204	11	1					
12	<b>Cable assembly—accelerator control</b>	<b>AHA5746</b>	12	1					
13	Pin—cable to carburettor lever.....	ACC5062	13	1					
14	Washer for pin (plain—small).....	PWZ203	14	1					
15	Washer for pin (spring).....	AEA600	15	1					
16	Washer for pin (plain—large).....	PWZ104	16	1					
17	Nut—cable to pin.....	FNZ104	17	1					
18	<b>Cable assembly—choke control</b>	<b>AHA5676</b>	18	1					
19	Washer—cable to fascia (plain).....	PWZ106	19	1					
20	Grommet—cable through dash.....	RFN303	20	1					
21	Pin—cable to carburettor.....	ACH9042	21	1					
22	Screw—pin to cable.....	ACA6483	22	1					



AO393A