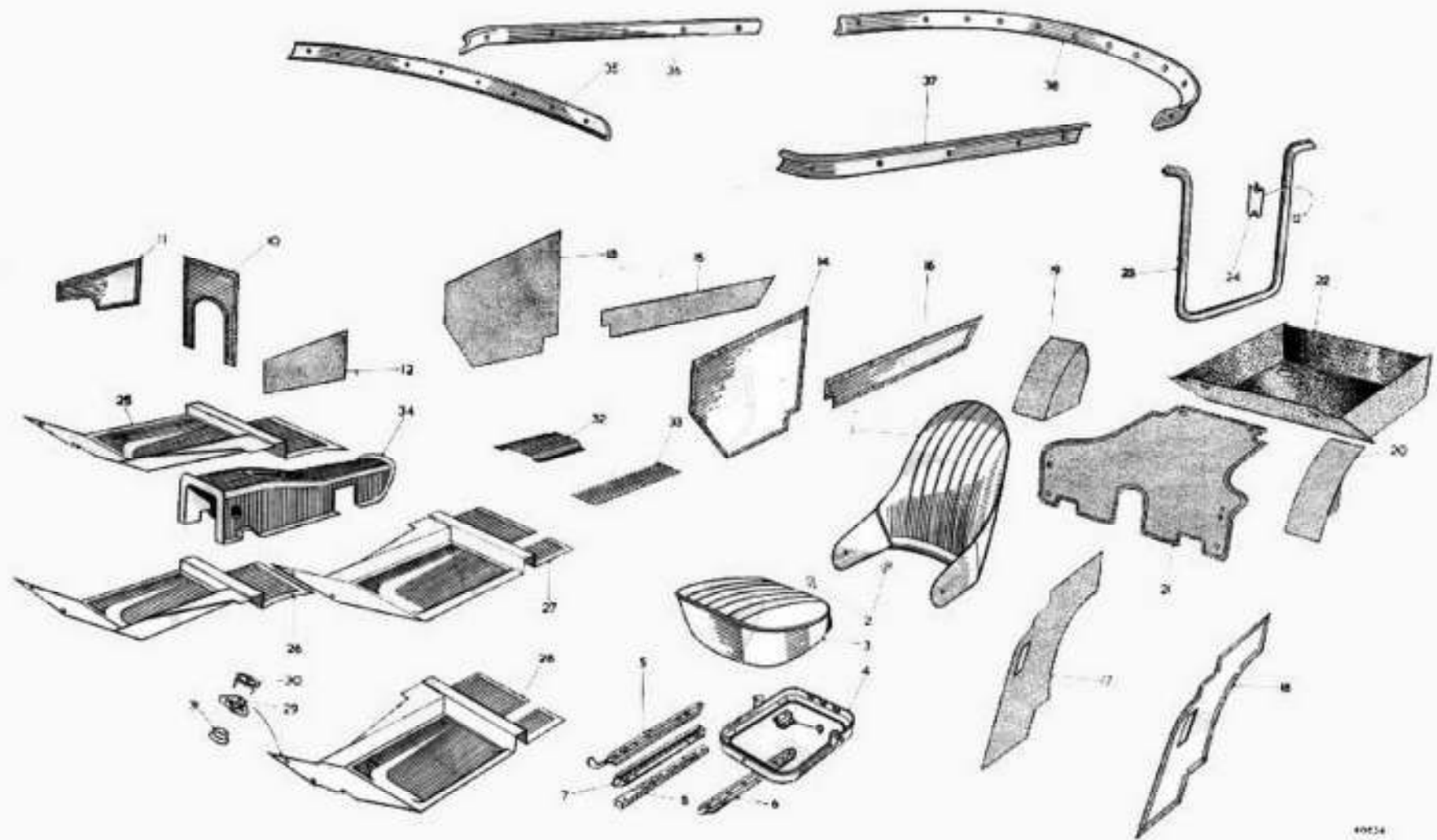


Item No.	DESCRIPTION	Commencing (C) 501		Qty. per Veh.	MODIFICATIONS		REMARKS
		Part Number	Illus. No.		New Part Number	Change Point	
	<b>SEAT AND SEAT FITTINGS</b>						
1	Squab assembly—Cherry Red with White piping	AHA5040	1	2			
2	Squab assembly—Blue with Light Blue piping	AHA5042		2			
3	Squab assembly—Black with Yellow piping	AHA5043		2			
4	Squab assembly—Black with White piping			2	AHA5461	Fin. (C) 9604	
5	Squab assembly—Green with Green piping	AHA5044		2		Com. (C) 9605	
6	Cover assembly—squab—Cherry Red with White piping	AHA5045		2			
7	Cover assembly—squab—Blue with Light Blue piping	AHA5047		2			
8	Cover assembly—squab—Black with Yellow piping	AHA5048		2			
9	Cover assembly—squab—Black with White piping			2	AHA5462	Fin. (C) 9604	
10	Cover assembly—squab—Green with Green piping	AHA5049		2		Com. (C) 9605	
11	Clip—trim	14A4497	2	86			
12	Nut—squab to pivot bracket	AHA5219		4			
13	Washer for nut (plain)	PWZ205		8			
14	Cushion assembly—Cherry Red with White piping	AHA5030	3	2			
15	Cushion assembly—Blue with Light Blue piping	AHA5032		2			
16	Cushion assembly—Black with Yellow piping	AHA5033		2			
17	Cushion assembly—Black with White piping			2	AHA5459	Fin. (C) 9604	
18	Cushion assembly—Green with Green piping	AHA5034		2		Com. (C) 9605	
19	Cover assembly—cushion—Cherry Red with White piping	AHA5035		2			
20	Cover assembly—cushion—Blue with Light Blue piping	AHA5037		2			
21	Cover assembly—cushion—Black with Yellow piping	AHA5038		2			
22	Cover assembly—cushion—Black with White piping			2	AHA5460	Fin. (C) 9604	
23	Cover assembly—cushion—Green with Green piping	AHA5039		2		Com. (C) 9605	
24	Cushion (foam rubber)	14A4787		2			
25	Clip—trim	14A4497		86			



40254

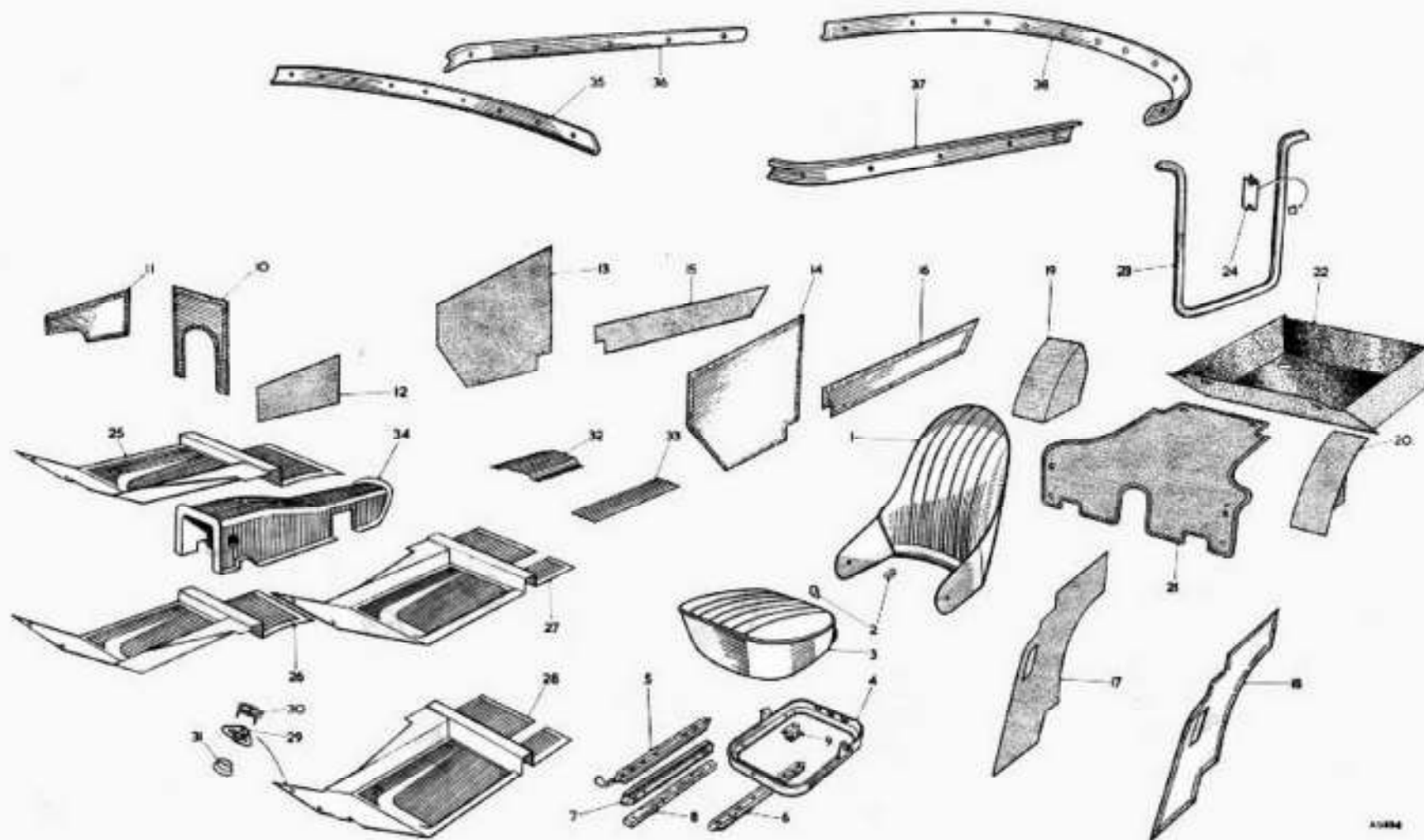


SERVICE PARTS LIST

THE AUSTIN-HEALEY SPRITE

Item No.	DESCRIPTION	Commenting (C) 501		Qty. per Veh.	MODIFICATIONS		REMARKS
		Part Number	Illus. No.		New Part Number	Change Point	
	<b>Seat and Seat Fittings—continued</b>						
1	<b>Frame assembly—seat base</b>	14A4778	4	2			
2	Runner and handle—seat (top) <b>RHD</b>	14A5519	5	1			
3	Runner and handle—seat (top) <b>LHD</b>	14A5520		1			
4	Runner less handle—seat (top)	4G877	6	1			
5	Runner—seat (bottom)	4G878	7	2			
6	Runner—seat—R.H. (bottom)			1	AHA5499	] Fin. (C) 26138 Com. (C) 26139	
7	Runner—seat—L.H. (bottom)			1	AHA5500		
8	Packing—driver's seat runner	AHA5223	8	2			
9	Screw—bottom runner to floor	HZS0409		4			
10	Washer for screw (plain)	PWZ104		4			
11	Washer for screw (spring)	LWZ204		4			
12	Screw—top runner to seat	CMZ0410		4			
13	Washer for screw (spring)	LWZ204		4		] Fin. (C) 31902 Com. (C) 31903	
14	Nut for screw	FNZ104		4			
15	Rivet—top runner to seat			4	CRS0410		
16	Bracket support (passenger's seat)	14A4860	9	4			
17	Screw—bracket to floor	HZS0406		4			
18	Washer for screw (plain)	PWZ104		4			
19	Washer for screw (spring)	LWZ204		4			
20	Screw—bracket to seat	HZS0405		8			
21	Washer for screw (spring)	LWZ204		8		] Fin. (C) 31902 Com. (C) 31903	Correction, Was LWZ205
22	Nut for screw	FNZ104		8			
23	Rivet—bracket to seat			8	FRS0408		

Item No.	DESCRIPTION	Commencing (C) 501		MODIFICATIONS		REMARKS
		Part Number	Illus. No.	Qty. per Veh.	New Part Number	
	<b>TRIMMING</b>					
1	Liner assembly—engine front (Cherry Red)	AHA5090	10	1		
2	Liner assembly—engine front (Blue)	AHA5092		1		
3	Liner assembly—engine front (Black)	AHA5093		1		
4	Liner assembly—engine front (Green)	AHA5094		1		
5	Liner assembly—engine side—R.H. (Cherry Red)	AHA5201	11	1		
6	Liner assembly—engine side—R.H. (Blue)	AHA5202		1		
7	Liner assembly—engine side—R.H. (Black)	AHA5203		1		
8	Liner assembly—engine side—R.H. (Green)	AHA5204		1		
9	Liner assembly—engine side—L.H. (Cherry Red)	AHA5205	12	1		
10	Liner assembly—engine side—L.H. (Blue)	AHA5206		1		
11	Liner assembly—engine side—L.H. (Black)	AHA5207		1		
12	Liner assembly—engine side—L.H. (Green)	AHA5208		1		
13	Screw for liner	RTZ601		6		
14	Washer for liner screw	7700		6		
15	Liner assembly—scuttle—R.H. (Cherry Red)	AHA5060	13	1		
16	Liner assembly—scuttle—R.H. (Blue)	AHA5062		1		
17	Liner assembly—scuttle—R.H. (Black)	AHA5063		1		
18	Liner assembly—scuttle—R.H. (Green)	AHA5064		1		
19	Liner assembly—scuttle—L.H. (Cherry Red)	AHA5065	14	1		
20	Liner assembly—scuttle—L.H. (Blue)	AHA5067		1		
21	Liner assembly—scuttle—L.H. (Black)	AHA5068		1		
22	Liner assembly—scuttle—L.H. (Green)	AHA5069		1		
23	Screw for liner	RTZ602		4		
24	Washer for liner screw	7700		4		
25	Screw—liner to 'A' post	CMZ0808		2		
26	Washer for liner screw	7999		2		
27	Washer for liner screw (spring)	I.W.Z201		2		
28	Nut for screw	FNZ102		2		
29	Liner assembly—sill—R.H. (Cherry Red)	AHA5100	15	1		
30	Liner assembly—sill—R.H. (Blue)	AHA5102		1		
31	Liner assembly—sill—R.H. (Black)	AHA5103		1		
32	Liner assembly—sill—R.H. (Green)	AHA5104		1		
33	Screw for liner (3/4" [19.05 mm.])	RTZ603		2		
34	Screw for liner (1/2" [12.7 mm.])	RTZ604		3		
35	Washer for liner screw	7700		5		
36	Liner assembly—sill—L.H. (Cherry Red)	AHA5105	16	1		
37	Liner assembly—sill—L.H. (Blue)	AHA5107		1		
38	Liner assembly—sill—L.H. (Black)	AHA5108		1		
39	Liner assembly—sill—L.H. (Green)	AHA5109		1		
40	Screw for liner	RTZ604		5		
41	Washer for liner screw	7700		5		



SERVICE PARTS LIST

THE AUSTIN-HEALEY SPRITE

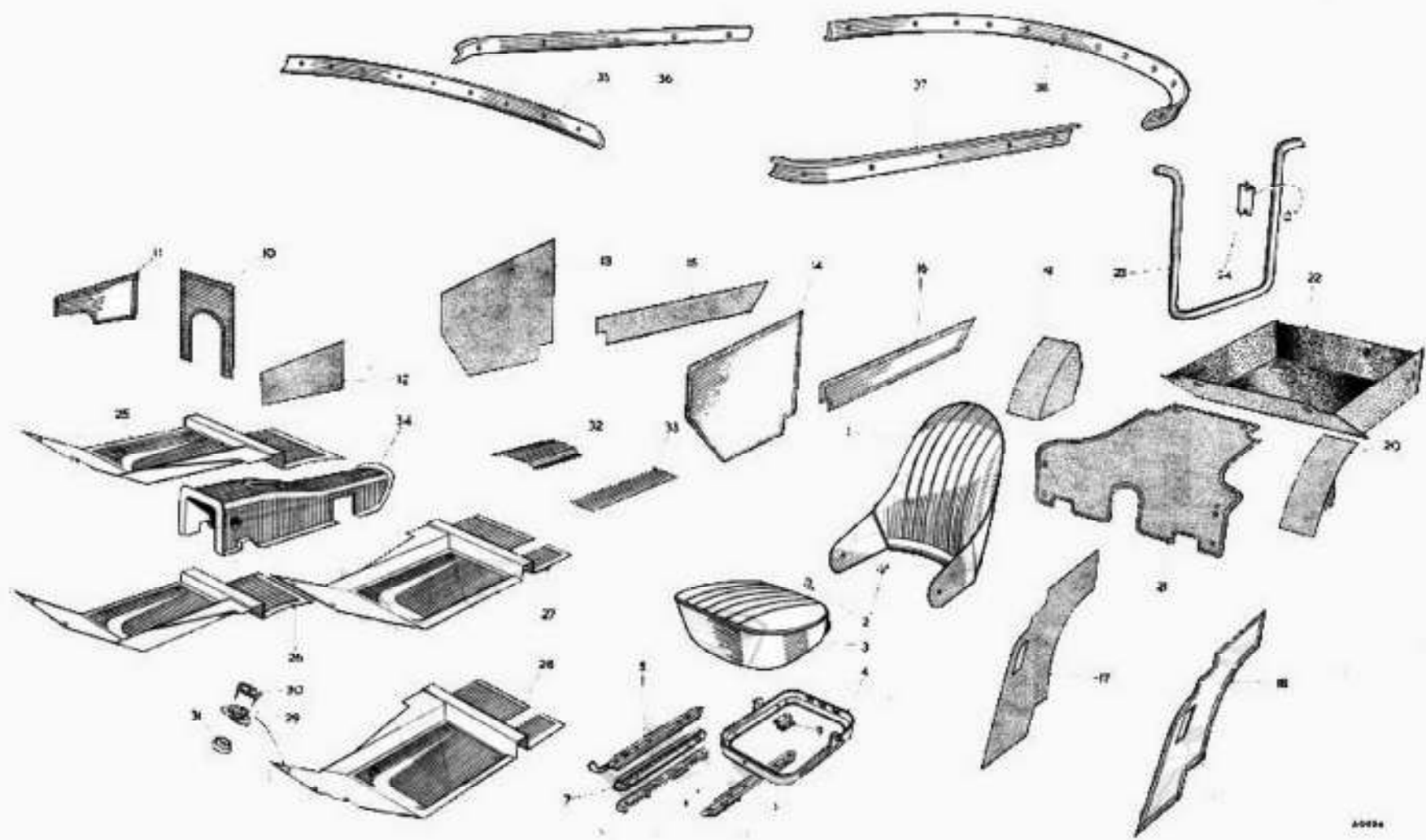
Item No.	DESCRIPTION	Commencing (C) 501		MODIFICATIONS		REMARKS
		Part Number	Illus. No.	Qty. per Veh.	New Part Number	
	<b>Trimming—continued</b>					
1	<b>Liner assembly—rear quarter—R.H. (Cherry Red)</b>	AHA5070	17	1		
2	Liner assembly—rear quarter—R.H. (Blue)	AHA5072		1		
3	Liner assembly—rear quarter—R.H. (Black)	AHA5073		1		
4	Liner assembly—rear quarter—R.H. (Green)	AHA5074		1		
5	Screw for liner $\frac{1}{4}$ " [19-05 mm.]	RTZ606		3		
6	Screw for liner $\frac{1}{4}$ " [12-7 mm.]	RTZ604		3		
7	Washer for liner screw	7700		6		
8	<b>Liner assembly—rear quarter—L.H. (Cherry Red)</b>	AHA5075	18	1		
9	Liner assembly—rear quarter—L.H. (Blue)	AHA5077		1		
10	Liner assembly—rear quarter—L.H. (Black)	AHA5078		1		
11	Liner assembly—rear quarter—L.H. (Green)	AHA5079		1		
12	Screw for liner $\frac{1}{4}$ " [12-7 mm.]	RTZ604		5		
13	Screw for liner $\frac{1}{4}$ " [19-05 mm.]	RTZ606		1		
14	Washer for liner screw	7700		6		
15	<b>Liner assembly—wheel arch—R.H. (Cherry Red)</b>	AHA5080	19	1	AHA5371	
16	Liner assembly—wheel arch—R.H. (Blue)	AHA5082		1	AHA5872	
17	Liner assembly—wheel arch—R.H. (Black)	AHA5083		1	AHA5873	
18	Liner assembly—wheel arch—R.H. (Green)	AHA5084		1	AHA5874	
19	<b>Liner assembly—wheel arch—L.H. (Cherry Red)</b>	AHA5085	20	1	AHA5375	
20	Liner assembly—wheel arch—L.H. (Blue)	AHA5087		1	AHA5876	Com. (C) 4333 except 4471, 4622, 4680, 4684
21	Liner assembly—wheel arch—L.H. (Black)	AHA5088		1	AHA5877	
22	Liner assembly—wheel arch—L.H. (Green)	AHA5089		1	AHA5878	
23	<b>Liner assembly—heelboard (Cherry Red)</b>	AHA5110	21	1	AHA5379	
24	Liner assembly—heelboard (Blue)	AHA5111		1	AHA5880	
25	Liner assembly—heelboard (Black)	AHA5112		1	AHA5881	
26	Liner assembly—heelboard (Green)	AHA5113		1	AHA5882	
27	Carpet fastener assembly	ADA2849		4		
28	Dot fastener—heelboard liner	ADH4811		4/3		
29	Screw for fastener	CTZ604		4/3		
30	Washer for fastener screw	ADA2765		4/3		
31	<b>Liner assembly—boot floor (Cherry Red)</b>	AHA5114	22	1	AHA5383	
32	Liner assembly—boot floor (Blue)	AHA5115		1	AHA5884	Com. (C) 4333 except 4471, 4622, 4680, 4684
33	Liner assembly—boot floor (Black)	AHA5116		1	AHA5885	
34	Liner assembly—boot floor (Green)	AHA5117		1	AHA5886	
35	Carpet fastener assembly	ADA2849		4		
36	Dot fastener—boot floor liner	ADH4811		4/3		
37	Screw for fastener	CTZ604		4/3		
38	Washer for fastener screw	ADA2765		4/3		
39	<b>Liner—rear boot side—R.H. (Grey)</b>			1	AHA5355	
40	Liner—rear boot side—L.H. (Grey)			1	AHA5356	Com. (C) 4333 except 4471, 4622, 4680, 4684
41	Screw for liner			2	RTZ604	
42	Washer for liner screw (cup)			2	7700	
43	<b>Leathercloth—30" wide (Cherry Red)</b>	AHA5005		A/R		
44	Leathercloth—30" wide (Blue)	AHA5006		A/R		
45	Leathercloth—30" wide (Black)	AHA5007		A/R		
46	Leathercloth—30" wide (Green)	AHA5008		A/R		

SERVICE PARTS LIST

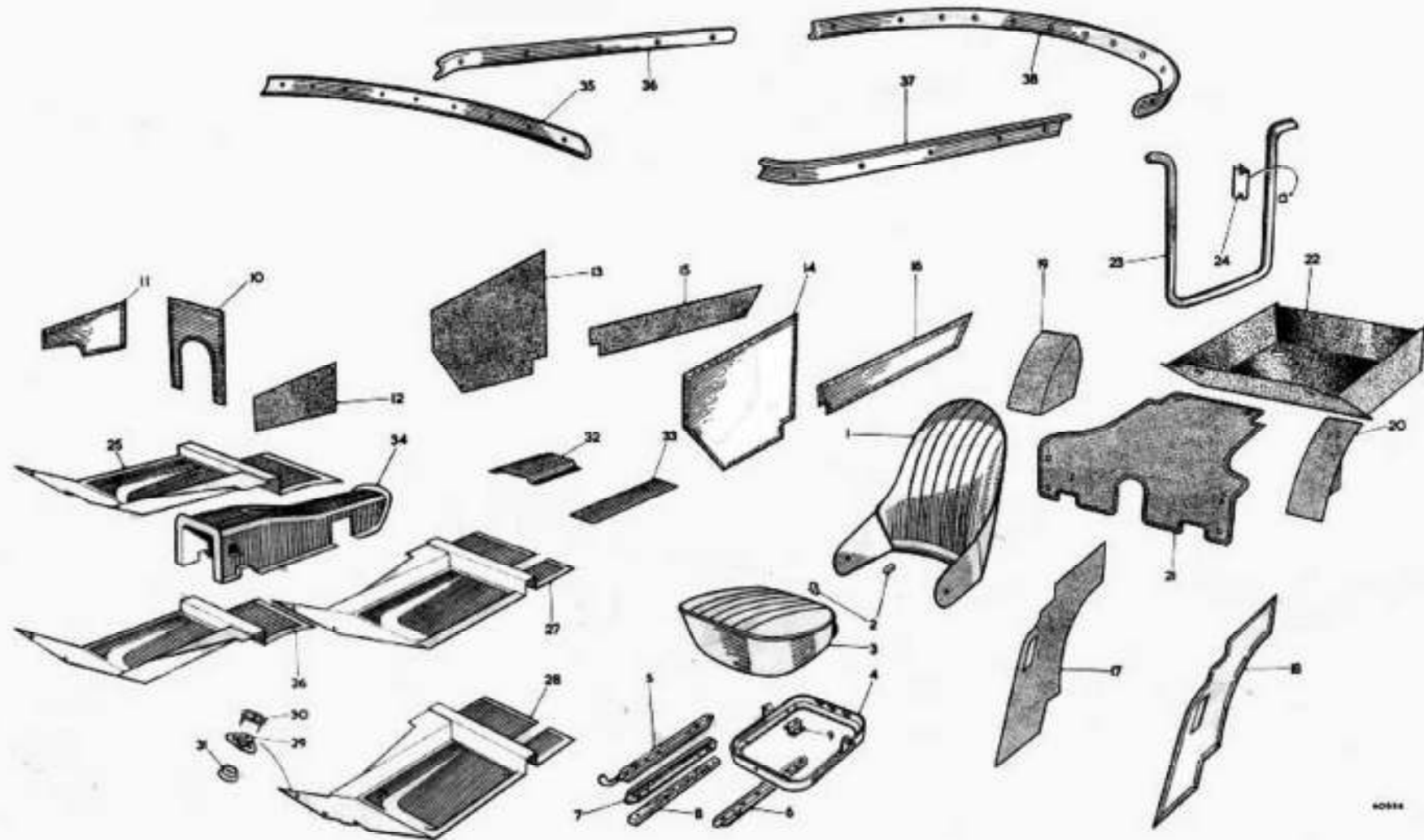
THE AUSTIN-HEALEY SPRITE

Item No.	DESCRIPTION	Commencing (C) 501		Qty. per Veh.	MODIFICATIONS		REMARKS
		Part Number	Illus. No.		New Part Number	Change Point	
<b>DRAUGHT EXCLUDERS</b>							
1	<b>Draught excluder—door (Cherry Red)</b>	<b>AHA5118</b>	<b>23</b>	<b>2</b>			
2	Draught excluder—door (Blue)	AHA5119		2			
3	Draught excluder—door (Black)	AHA5120		2			
4	Draught excluder—door (Green)	AHA5121		2			
5	Clip—draught excluder	14G3716	24	64			
6	Clip—draught excluder	PCR0709		2			
7	Washer for clip (plain)	PWZ208		2			
8	Screw—draught excluder to top rear of door	RTZ606		2			
9	Washer for screw	7700		2			
<b>FLOOR MATS</b>							
10	<b>Mat assembly—front—R.H. (Cherry Red)</b>	<b>AHA5130</b>	<b>25</b>	<b>1</b>			
11	Mat assembly—front—R.H. (Blue)	AHA5131		1			
12	Mat assembly—front—R.H. (Black)	AHA5132		1			
13	Mat assembly—front—R.H. (Green)	AHA5133		1			
14	<b>Mat assembly—front—L.H. (Cherry Red)</b>	<b>AHA5240</b>	<b>26</b>	<b>1</b>			
15	Mat assembly—front—L.H. (Blue)	AHA5241		1			
16	Mat assembly—front—L.H. (Black)	AHA5242		1			
17	Mat assembly—front—L.H. (Green)	AHA5243		1			
18	<b>Mat assembly—front—L.H. (Cherry Red)</b>	<b>AHA5134</b>	<b>27</b>	<b>1</b>			
19	Mat assembly—front—L.H. (Blue)	AHA5135		1			
20	Mat assembly—front—L.H. (Black)	AHA5136		1			
21	Mat assembly—front—L.H. (Green)	AHA5137		1			
22	<b>Mat assembly—front—L.H. (Cherry Red)</b>	<b>AHA5244</b>	<b>28</b>	<b>1</b>			
23	Mat assembly—front—L.H. (Blue)	AHA5245		1			
24	Mat assembly—front—L.H. (Black)	AHA5246		1			
25	Mat assembly—front—L.H. (Green)	AHA5247		1			
26	Fastener—mat	2HS445	29	14			
27	Ring for mat fastener	14G8736	30	14			
28	Dot—fastener—mat	ADB4811	31	14			
29	Screw—fastener	CTZ604		14			
30	Washer for fastener screw	ADA2785		14			
31	<b>Mat assembly—longitudinal member (Cherry Red)</b>	<b>AHA5248</b>	<b>32</b>	<b>2</b>		<b>Fin. (C) 21546</b>	
32	Mat assembly—longitudinal member (Blue)	AHA5249		2		<b>Fin. (C) 20185</b>	
33	Mat assembly—longitudinal member (Black)	AHA5250		2		<b>Fin. (C) 20404</b>	
34	Mat assembly—longitudinal member (Green)	AHA5251		2		<b>Fin. (C) 37492</b>	
35	<b>Cover—floor—side (Cherry Red)</b>	<b>AHA5259</b>	<b>33</b>	<b>2</b>			
36	Cover—floor—side (Blue)	AHA5260		2			
37	Cover—floor—side (Black)	AHA5261		2			
38	Cover—floor—side (Green)	AHA5262		2			
39	<b>Mat assembly—gearbox and tunnel (Cherry Red)</b>	<b>AHA5138</b>	<b>34</b>	<b>1</b>			
40	Mat assembly—gearbox and tunnel (Blue)	AHA5139		1			
41	Mat assembly—gearbox and tunnel (Black)	AHA5140		1			
42	Mat assembly—gearbox and tunnel (Green)	AHA5141		1			





40984



40514

SERVICE PARTS LIST

THE AUSTIN-HEALEY SPRITE

Item No.	DESCRIPTION	Commencing (C) 501		Qty. per Veh.	MODIFICATIONS		REMARKS
		Part Number	Ilus. No.		New Part Number	Change Point	
	<b>MOULDINGS</b>						
1	Finisher—scuttle top	14A4820	35	1			
2	Screw—finisher to scuttle (1/4" [15-87 mm.])	RMZ0810		7			
3	Screw—finisher to scuttle (1/4" [19-05 mm.])	RMZ0812		2		Fin. (C) 7255	
4	Screw—finisher to scuttle (1" [25-4 mm.])			2	RMZ0816	Com. (C) 7256	
5	Washer for screw (plain)			2	PWZ2908		
6	Washer for screw (shakeproof)	LWZ508		9			Part No. change. Was 58K8464 and LWZ708
7	Nut for screw	FNZ108		9			
8	Finisher—door top (R.H.)	14A4821	36	1	AHA5268	] Com. (C) 1606	
9	Finisher—door top (L.H.)	14A4822	37	1	AHA5269		
10	Screw—finisher to door top	RMZ0810		6			
11	Washer for screw (shakeproof)	LWZ508		6			Part No. change. Was 58K8464 and LWZ708
12	Nut for screw	FNZ108		6			
13	Finisher—cockpit rear	14A4823	38	1			
14	Screw—finisher to cockpit rear (1/4" [15-87 mm.])	RMZ0810		9			
15	Screw—finisher to cockpit rear (1/4" [19-05 mm.])	RMZ0812		2			
16	Washer for screw (shakeproof)	LWZ508		11			Part No. change. Was 58K8464 and LWZ708
17	Nut for screw	FNZ108		11			