

Item No.	DESCRIPTION	Commencing (C) 501		Qty. per Veh.	MODIFICATIONS		REMARKS
		Part Number	Illus. No.		New Part Number	Change Point	
<b>REAR AXLE AND SUSPENSION</b>							
1	Rear axle assembly	N.S.P.		1			
2	Case assembly	ATA7329	1	1	ATA7618	Com. (C) 4333 except 4471, 4622, 4680, 4684	ATA7329 not available. Use ATA7618
3	Stud for differential carrier	2A7226	2	8			
4	Nut—bearing retaining (R.H.T.)	2A7108	2	1			
5	Nut—bearing retaining (L.H.T.)	1G8384		1			
6	Nut for differential carrier stud	FNZ165	4	8			
7	Washer for nut (spring)	LWZ205	5	8			
8	Washer for bearing retaining nut (lock)	2A7250	6	2			
9	Breather assembly	1G8608	7	1	1H3364		1G8608 not available. Use 1H3364
10	Plug—oil drain	6K499	8	1			
11	Plug—oil filler	6K499		1			
12	Joint—differential carrier to axle case	2A7027	9	1			
13	Differential assembly	ATA7326		1			
14	Carrier assembly	ATA7032	10	1			
15	Stud—cap	51K886	11	4			
16	Washer for nut (plain)	PWN107	12	4			
17	Washer for nut (spring)	LWN207	13	4			
18	Nut	FNN107	14	4			
19	Plug—filler	6K499	15	1			
20	Bearing—differential	2K5945	16	2			
21	Washer—bearing packing (-002" [-0508 mm.])	2K7779	17	A/R			
22	Washer—bearing packing (-003" [-0762 mm.])	ATA7260		A/R			
23	Washer—bearing packing (-004" [-1016 mm.])	2K7778		A/R			
24	Washer—bearing packing (-010" [-254 mm.])	2A7271		A/R			
25	Cage—differential	ATA7086	18	1			
26	Gear	ATA7087	19	2			
27	Washer for gear (thrust)	ATA7296	20	2			
28	Pinion	2A7015	21	2			
29	Washer for pinion (thrust)	ATA7297	22	2			
30	Pin for pinion	2A7016	23	1			
31	Peg for pinion pin	6K631	24	1			
32	Crown wheel and pinion	ATA7266	25	1			
33	Bolt—crown wheel to cage	ATA7043	26	6			
34	Washer for bolt (lock)	ATA7044	27	3			
35	Washer—pinion thrust (-130" [8-301 mm.])	ATA7123	28	1			One used of selected size
36	Washer—pinion thrust (-128" [8-251 mm.])	ATA7124		1			
37	Washer—pinion thrust (-126" [8-200 mm.])	ATA7125		1			
38	Washer—pinion thrust (-124" [8-149 mm.])	ATA7126		1			
39	Washer—pinion thrust (-122" [8-098 mm.])	ATA7127		1			
40	Washer—pinion thrust (-120" [8-048 mm.])	ATA7128		1			
41	Washer—pinion thrust (-118" [7-998 mm.])	ATA7129		1			
42	Washer—pinion thrust (-116" [7-945 mm.])	ATA7130		1			

SERVICE PARTS LIST

THE AUSTIN-HEALEY SPRITE

Item No.	DESCRIPTION	Commencing (C) 501		Qty. per Veh.	MODIFICATIONS		REMARKS
		Part Number	Illus. No.		New Part Number	Change Point	
	<b>Rear Axle and Suspension—continued</b>						
1	Bearing—pinion inner	ATA7338	29	1			
2	Distance piece for bearing	ATA7319	30	1			
3	Bearing—pinion outer	2A7213	31	1			
4	Seal—oil	ATA7047	32	1			
5	Cover—dust	1G7489	33	1			
6	Flange—universal joint	ATA7036	34	1			
7	Nut—flange to pinion	FNZ612	35	1			
8	Washer for nut (spring)	LWZ212	36	1			
9	<b>Hub assembly</b>	<b>2A7087</b>	<b>37</b>	<b>2</b>			
10	Stud—wheel	2A7089	38	8			
11	Nut for wheel stud	2A8012	39	8			
12	Seal—oil	3H2118	40	2	BTA108		2H2118 not available. Use BTA108
13	Bearing—hub	6K584	41	2			
14	Ring—oil seal	Δ1A7325	42	2			
15	Joint—shaft to hub	2A7091	43	2			
16	<b>Shaft—axle</b>	<b>2A7085</b>	<b>44</b>	<b>2</b>	<b>2A7242</b>		<b>2A7085 not available. Use 2A7242</b>
17	Screw—shaft to hub	CMZ6410	45	2			
	Bumper (rubber)	2A7142	46	2			





SERVICE PARTS LIST

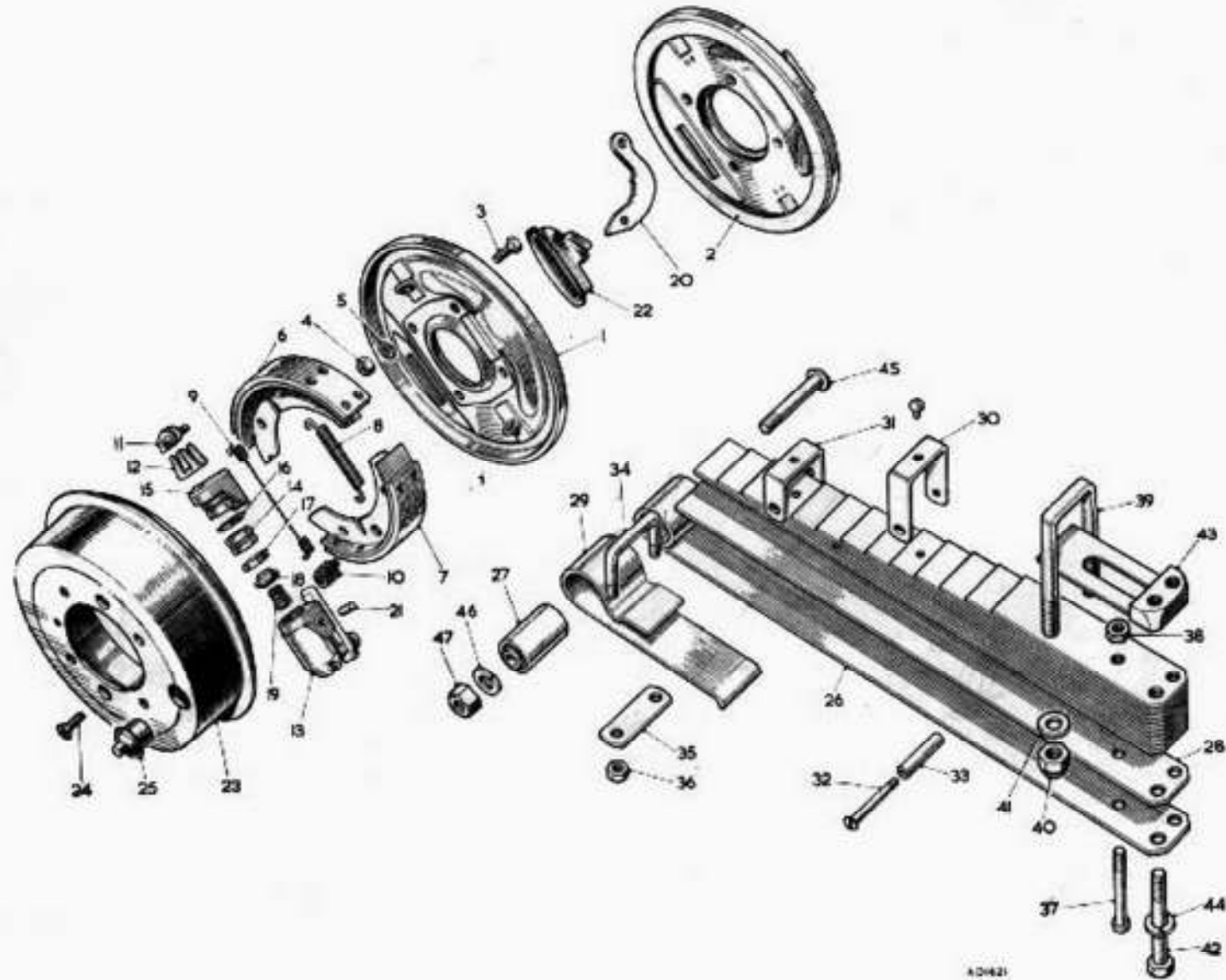
THE AUSTIN-HEALEY SPRITE

Item No.	DESCRIPTION	Commencing (C) 501		Qty. per Veh.	MODIFICATIONS		REMARKS
		Part Number	Illus. No.		New Part Number	Change Point	
	<b>BRAKES</b>						
1	Plate—brake (R.H.)	ATA7076	1	1			
2	Plate—brake (L.H.)	ATA7077	2	1			
3	Bolt—brake-plate to axle case	HZS0506	8	8			
4	Nut for bolt	FNZ105	4	8			
5	Washer for nut (spring)	LWZ205	5	8			
6	Shoe assembly—brake	AJA5086	6	2 sets			
7	Liner (with rivets)	300826	7	1 set			
8	Rivets	7H7398		28			
9	Spring—brake-shoe pull-off (lower)	301633	8	2			
10	Spring—brake-shoe pull-off (upper)	301634	9	2			
11	Spring—steady	301020	10	4			
12	Adjuster	68648	11	2			
13	Mask—adjuster	68643	12	2			
14	Cylinder assembly—wheel	301622		2			
15	Body with abutment strip	7H7942	13	2			
16	Piston—hydraulic	7H7928	14	2			
17	Piston with dust cover	AJA3008	15	2			
18	Seal	17H7707	16	2			Correction. Was 7H7707
19	Cup	7H7928	17	2			
20	Filler—cup	7H7940	18	2			
21	Spring—cup filler	7H7989	19	2			
22	Lever—hand brake	27H7395	20	2			
23	Pin—lever pivot	7H7929	21	2	17H7203		7H7929 not available. Use 17H7203
24	Boot for wheel cylinder	7H7943	22	2			
25	Drum—brake	2A7168	23	2			
26	Screw—drum to hub	CMZ0410	24	4			
27	Plug for drum (rubber)	2A7228	25	2			
28	KH—wheel cylinder repair	8G8243		2 sets			Part No. change. Was 17H7046
29	Seal			2			
30	Cup			2			
31	Boot			2			

SERVICE PARTS LIST

THE AUSTIN-HEALEY SPRITE

Item No.	DESCRIPTION	Commencing (C) 501		Qty. per Veh.	MODIFICATIONS		REMARKS
		Part Number	Illus. No.		New Part Number	Change Point	
	<b>REAR SPRING</b>						
1	Spring assembly	2A7309		2			
2	Leaf—main	AHA5581	26	2			
3	Bush	2H4605	27	2			
4	Leaf—2nd	AHA5582	28	2			
5	Leaf—3rd	N.S.P.		2			
6	Leaf—4th	N.S.P.		2			
7	Leaf—5th	N.S.P.		2			
8	Leaf—6th	N.S.P.		2			
9	Leaf—7th	N.S.P.		2			
10	Leaf—8th	N.S.P.		2			
11	Leaf—9th	N.S.P.		2			
12	Leaf—10th	N.S.P.		2			
13	Leaf—11th	N.S.P.		2			
14	Leaf—12th	N.S.P.		2			
15	Leaf—13th	N.S.P.		2			
16	Leaf—14th	N.S.P.		2			
17	Leaf—15th	N.S.P.		2			
18	Clip—safety	AHA5590	29	2			
19	Clip—spring (long)	AHA5546	30	2			
20	Clip—spring (short)	AHA5547	31	2			
21	Screw—spring clip	AHA5548	32	4			
22	Tube—distance—clip	AHA5549	33	4			
23	Clip—safety clip to spring	AHA5551	34	2			
24	Plate for clip	AHA5552	35	2			
25	Nut for clip	FNZ105	36	4			
26	Bolt—locating	AHA5553	37	2			
27	Nut for bolt	FNZ205	38	2			
28	Clip—spring to frame	AHA5221	39	2			
29	Nut for clip	LNZ108	40	4			
30	Washer for nut (plain)	PWZ108	41	4			
31	Bolt—spring to frame	HBZ0626	42	4			
32	Washer for bolt (spring)	LWZ306	44	4			
33	Plate—spring attachment	AHA5222	43	2			
34	Pin—spring	2A7279	45	2			
35	Nut for pin	FNZ107	47	2			
36	Washer for nut (spring)	LWZ307	46	2			
37	Spring assembly—extra-heavy	AHA5468		2			] Optional extra
38	Bolt—spring to frame	HBZ0624		4			



A10421