

B1907

SERVICE PARTS LIST

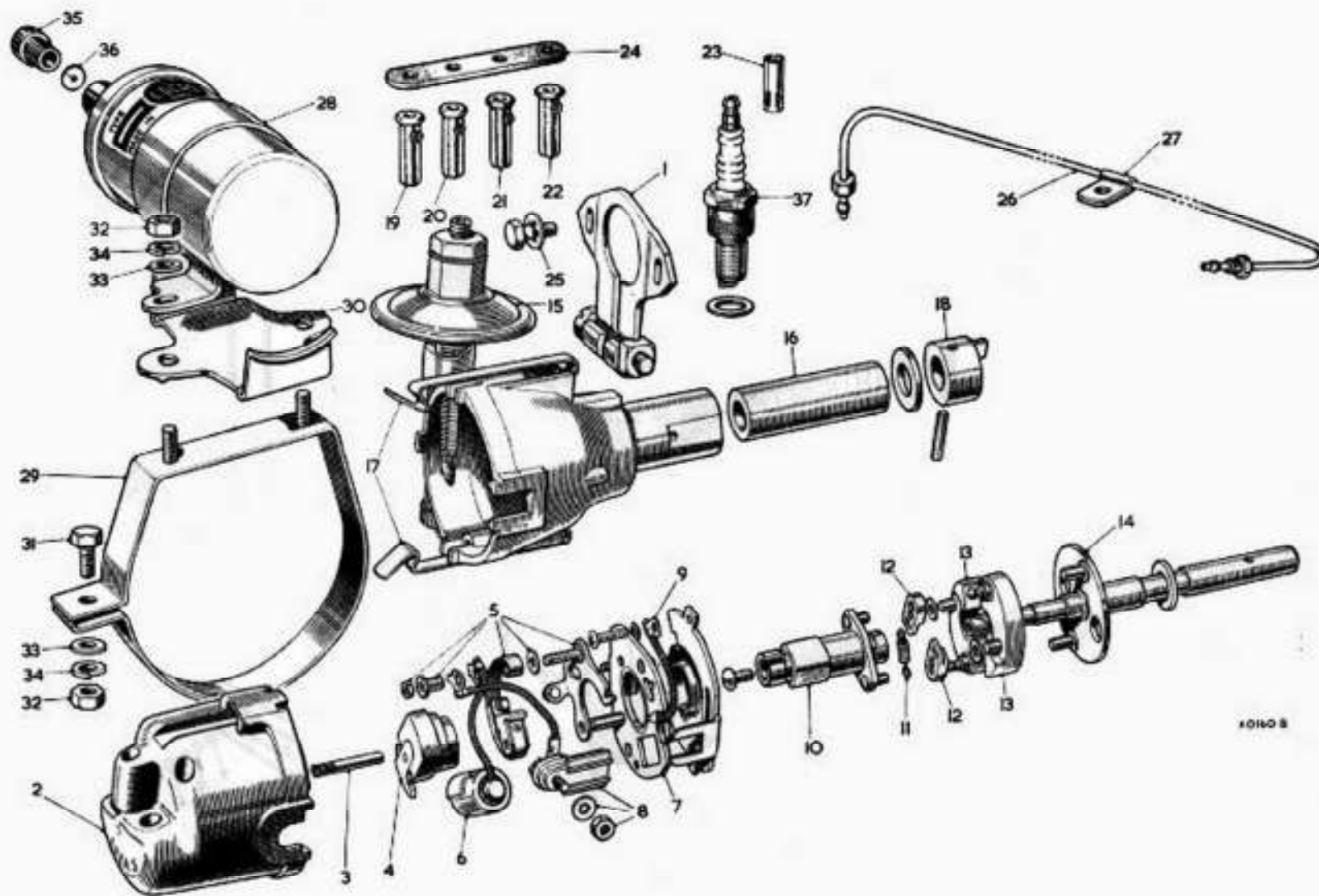
THE AUSTIN-HEALEY SPRITE

Item No.	DESCRIPTION	Commencing (E) 9C-U-101		Qty. per Veh.	MODIFICATIONS		REMARKS
		Part Number	Dr. & No.		New Part Number	Change Point	
	<b>IGNITION EQUIPMENT</b>						
	<b>DISTRIBUTOR</b>						
1	Distributor	2A721		1			
2	Plate assembly—clamping	3112138		1			
3	Cap—less cables	17115422		2			
4	Brush and spring	17115065		3			
5	Rotor arm	7115096		4			
6	Contacts	17115428		5	1 set		
7	Condenser	17115421		6	1	47115250	17115421 not available. Use 47115250
8	Plate—contact breaker base	17115469		7	1		
9	Terminal with bush and lead—low tension	37115409		8	1		
10	Lead—earth	17115581		9	1		
11	Cam	17115066		10	1		
12	Springs—automatic advance	37115440		11	1 set		
13	Toggles	17115069		12	2		
14	Weight assembly	17115095		13	2		
15	Shaft and action plate	37115439		14	1		
16	Vacuum unit with actuating arm	37115438		15	1	47115250	37115438 not available. Use 47115250
17	Bushing	17115071		16	1		
18	Clip—cap retarding	17115064		17	2		
19	Dog—driving	17115118		18	1		
20	Sundry parts	17115106		1 set			
21	Screw—clamping plate to distributor housing	6K689		25	2		
22	Pipe with clip—vacuum ignition control	AEA346		26	1	AEA447	AEA346 not available. Use AEA447
23	Clip for vacuum pipe	1H2121		27	1	AC110009	Fin. (E) 9C-H244 Com. (E) 9C-H245 Not available. Use ACH9009
	<b>H.T. CABLES</b>						
24	Cable—H.T.	45223		A/R			Only available in multiples of feet
25	Cable—H.T.—coil to distributor—9½" (24.44 cm.)			1			
26	Cable—H.T.—No. 1—12" (30.48 cm.)			1			
27	Cable—H.T.—No. 2—11" (27.94 cm.)			1			
28	Cable—H.T.—No. 3—8½" (21.59 cm.)			1			
29	Cable—H.T.—No. 4—9½" (24.44 cm.)			1			

**SERVICE PARTS LIST**

**THE AUSTIN-HEALEY SPRITE**

Item No.	DESCRIPTION	Commencing Ej 9C-U-H101		Qty. per Veh.	MODIFICATIONS		REMARKS	
		Part Number	Illus. No.		New Part Number	Change Point		
	<b>H.T. Cables—continued</b>							
1	<b>Ferrule for cable (No. 1)</b>	3H1655	19	1				
2	Ferrule for cable (No. 2)	3H1656	20	1		] Fin. (E) 9C-H4795		
3	Ferrule for cable (No. 3)	3H1657	21	1				
4	Ferrule for cable (No. 4)	3H1658	22	1				
5	<b>Sleeve—cable identity (No. 1)</b>			1	2H4243			
6	Sleeve—cable identity (No. 2)			1	2H4244			
7	Sleeve—cable identity (No. 3)			1	2H4245	] Com. (E) 9C-H4796		
8	Sleeve—cable identity (No. 4)			1	2H4246			
9	Connector for sparking plug			4	13H184			
10	<b>Suppressor—sparking plug</b>	8G616	23	4	3H1422	] Com. (C) 25484 Fin. (E) 9C-H4795		
11	Spacer for high-tension cables—4 way	1G9073	24	1				
	<b>IGNITION COIL</b>							
12	<b>Coil—ignition</b>	2A536	28	1	AMK5611	174 9.71	] 2A536 not available. Use AMK5611 Alternatives	
13	Bracket—coil to dynamo	1H1070	29	1				
14	Bracket—coil to dynamo	1H1302		1				
15	Plate for coil—steady	11G221	30	1				
16	Bolt for bracket—clamp	HZS0405	31	1				
17	Nut for bolt	FNZ104	32	3		] Fin. (C) 11888		
18	Washer for bolt (plain)	PWN204	33	3				
19	Washer for bolt (spring)	LWN304	34	3				
20	Screw—coil to coil bracket and gusset plate			2	HZS0405	] Com. (C) 11889		
21	Assembly			2	FNZ104			
22	Nut for screw			2	PWZ204			
23	Washer for screw (plain)			2	LWZ304			
24	Washer for screw (spring)			2				
25	Terminal—high-tension	3H2005	35	1				
26	Washer for terminal	3H2006	36	1				
	<b>SPARKING PLUGS</b>							
27	Sparking plug	3H2006	37	4				
28	Sparking plug	2A875		4			When short-wave radio is fitted	



10160 B