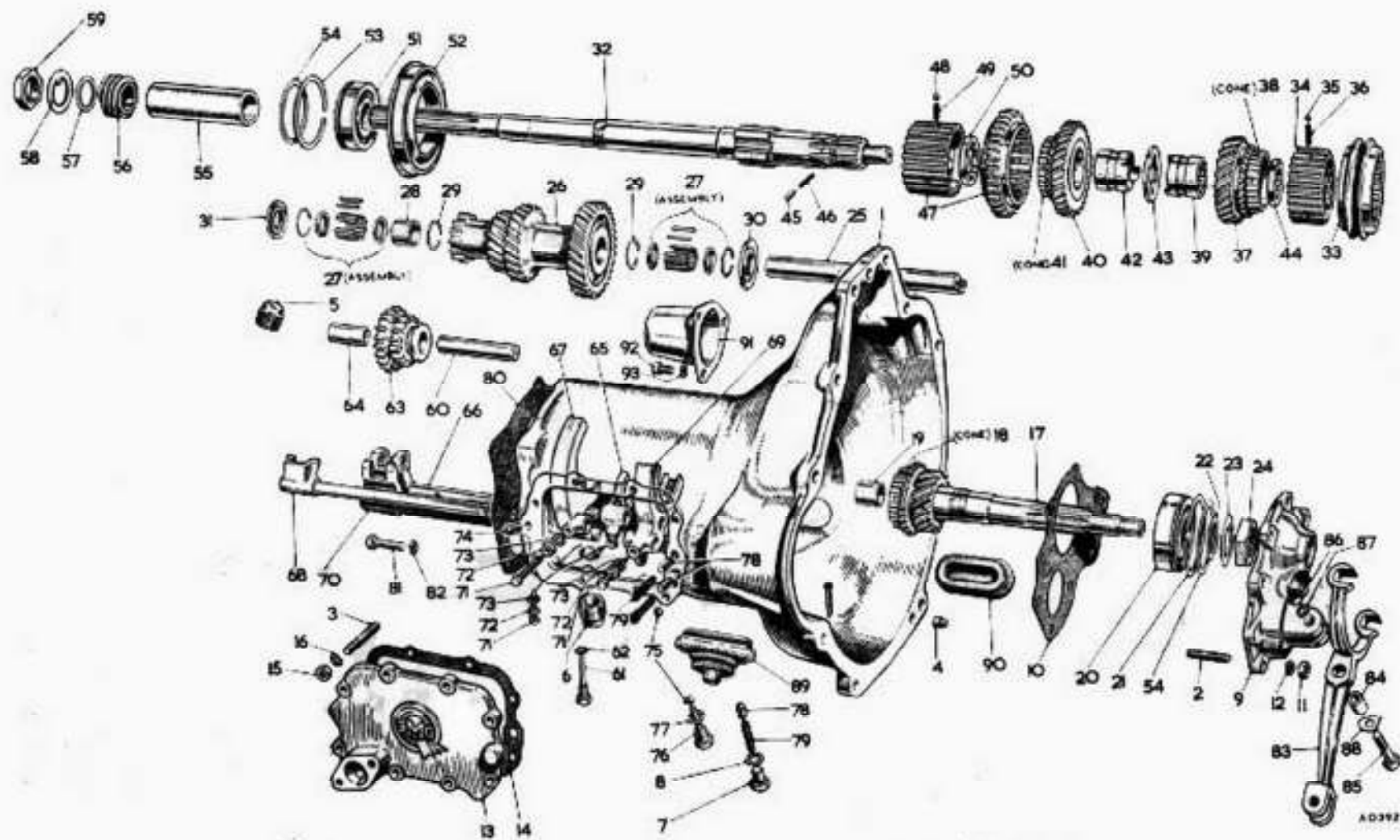


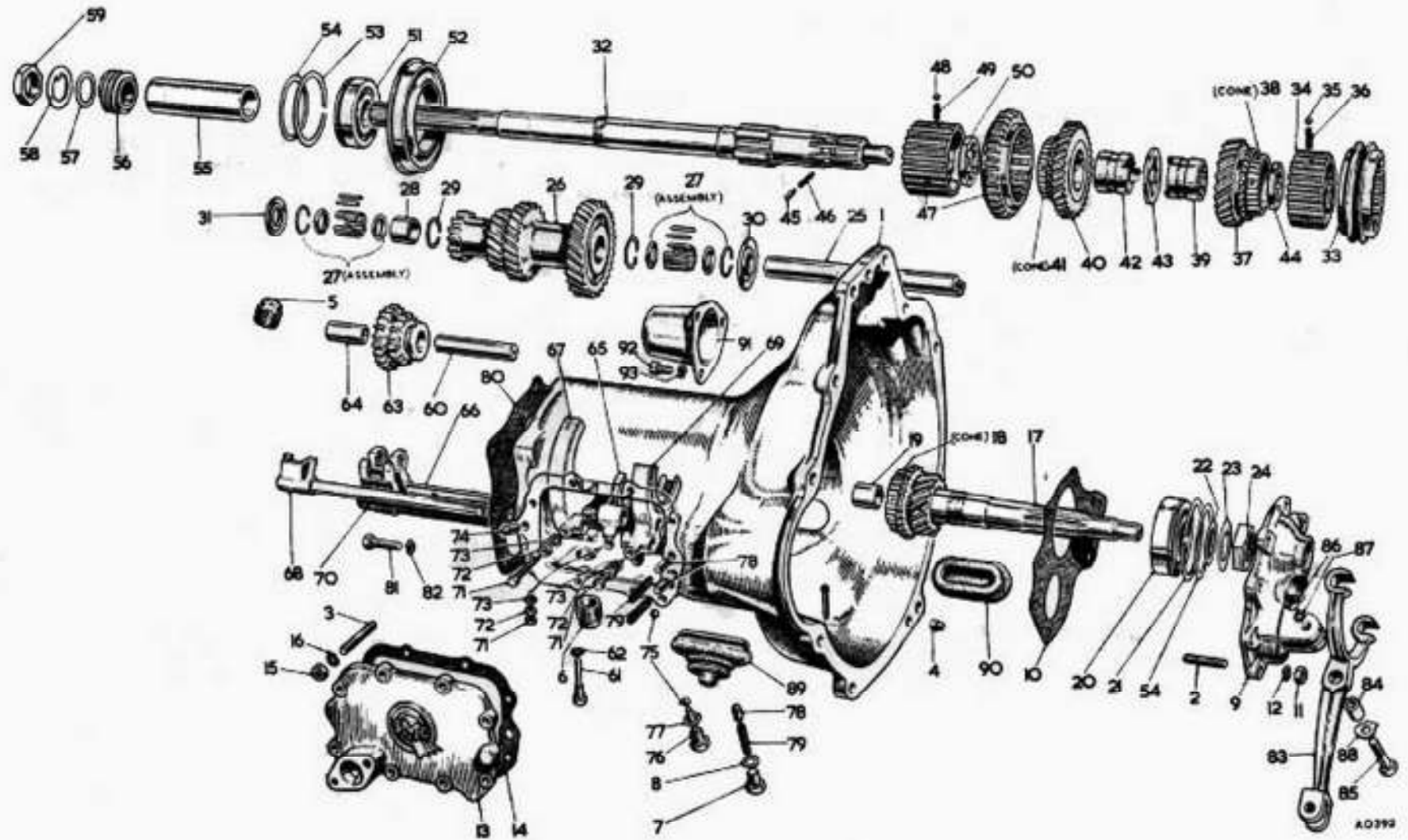
SERVICE PARTS LIST

THE AUSTIN-HEALEY SPRITE

Item No.	DESCRIPTION	Commencing (E) 9C-U-H101		Qty. per Veh.	MODIFICATIONS		REMARKS
		Part Number	Illus. No.		New Part Number	Change Point	
	GEARBOX						
	* Cones are machine-ground after being struck on gear. Supplied loose where facilities for these operations exist. (Assemblies must always be supplied for Export)						
	GEARBOX—REMOTE CONTROL						
1	Gearbox assembly	2A3413		1			
2	Case assembly	2B687		1			
3	Seal for gearbox front cover	38K468		2			
4	Seal for side cover	38K468		3			
5	Dowel	1C752		4			
6	Plug—filler	2K5889		5			
7	Plug—drain	2K5889		6			
8	Plug for reverse plunger spring	6K643		7			
9	Washer for plug	2K4954		8			
10	Cover—front	2A3087		9			
11	Joint washer for front cover	2A3007		10			
12	Nut for front cover stud	FNZ104		11			
13	Washer for stud (spring)	LWN204		12			
14	Cover—side	2A3285		13] Alternatives
15	Cover—side	2A170		1			
16	Joint washer for side cover	2A3286		14			
17	Nut for side cover stud	FNZ104		15			
18	Washer for stud (spring)	LWN204		16			
19	1st motion shaft with cone and bush	2A3359		17			
20	Cone—synchronizing	*2A3147		18			
21	Bush for 3rd motion shaft	2A3084		19			
22	Bearing—ball journal— for 1st motion shaft	2A3245		20			
23	Ring for ball journal bearing (spring)	6K556		21			
24	Washer for shaft	6K559		22			
25	Washer for shaft (lock)	2A3085		23			
26	Nut for shaft	2K6677		24			
27	Layshaft	8G664		25			
28	Laygear	2A3358		26] Alternatives
29	Laygear	2A2901		1			
30	Bearing—needle-roller— with spring ring	3H2113		27			
31	Distance piece for rear bearing	2A3168		28			
32	Ring for needle-roller bearing (spring)	2A3060		29			
33	Washer—thrust—front	2A3023		30			
34	Washer—thrust—rear (-128 to -124" [3-124 to 3-149 mm.])	2A3024		31] Alternatives
35	Washer—thrust—rear (-125 to -120" [3-175 to 3-200 mm.])	2A3025		1			
36	Washer—thrust—rear (-127 to -128" [3-225 to 3-251 mm.])	2A3026		1			
37	Washer—thrust—rear (-130 to -131" [3-301 to 3-326 mm.])	2A3027		1			

Item No.	DESCRIPTION	Commencing (E) 9C-U-11101		Qty. per Veh.	MODIFICATIONS		REMARKS
		Part Number	Illus. No.		New Part Number	Change Point	
	Gearbox—Remote Control —Continued						
	* Gears are machine-finished after being struck on gears. Supplied loose when installation for these operations ease. (Assembly must always be supplied for repair)						
1	3rd motion shaft	2A3224	32	1			
2	Sleeve 3rd and 4th speed coupling	2A3145	38	1			Not available. Use 2A3226 synchronizer assembly
3	Synchronizer—3rd and 4th speed	2A3220	34	1		} Fig. (G) 945	
4	Ball for synchronizer	BLS107	35	3			
5	Spring for synchronizer ball	2A3142	36	3		} Cont. (G) 946	
6	Synchronizer assembly—3rd and 4th speed			1	2A3226		
7	Ball for synchronizer			3	BLS107		
8	Spring for synchronizer ball			3	2A3142		
9	3rd speed gear with cone	2A3361	37	1			
10	Cone—synchronizing	*2A3147	38	1			
11	Bush for 3rd speed gear	2A3290	39	1			
12	2nd speed gear with cone	2A3330	40	1			
13	Cone—synchronizing	*2A3147	41	1			
14	Bush for 2nd speed gear	2A3290	42	1			
15	Ring—interlocking—for 2nd and 3rd speed gear bushes	2A3045	43	1	2A3401		2A3045 not available. Use 2A3401
16	Washer—thrust—front (214 to 215" [5-436 to 5-461 mm.])	2A3217	44	1		} Alternatives	
17	Washer—thrust—front (216 to 217" [5-486 to 5-512 mm.])	2A3218	45	1			
18	Washer—thrust—front (218 to 219" [5-537 to 5-562 mm.])	2A3219	46	1			
19	Peg for thrust washer	2A3160	45	1			
20	Spring for thrust washer peg	2A3161	46	1			
21	1st speed wheel with synchronizer and balls	2A3333	47	1			
22	1st speed wheel	N.S.P.		1			
23	Synchronizer—2nd speed	N.S.P.		1			
24	Ball for synchronizer	BLS107	48	3			
25	Spring for synchronizer ball	2A3142	49	3			
26	Washer—thrust—rear	2A3042	50	1			
27	Bearing—ball journal—for 3rd motion shaft	2A3245	51	1			
28	Housing for bearing	2A3085	52	1			
29	Ring for bearing (spring)	6K558	53	1			
30	Washer—packing—bearing (.004" [1016 mm.])	2K8737	54	A/R		} Alternatives	
31	Washer—packing—bearing (.008" [1334 mm.])	2K8738		A/R			
32	Washer—packing—bearing (.010" [254 mm.])	2K8739		A/R			
33	Distance piece for 3rd motion shaft	2A3057	55	1			
34	Wheel—speedometer	2A3371	56	1			
35	Washer	6K550	57	1			
36	Washer (lock)	2A3085	58	1			
37	Nut for 3rd motion shaft	2K6077	59	1			





SERVICE PARTS LIST

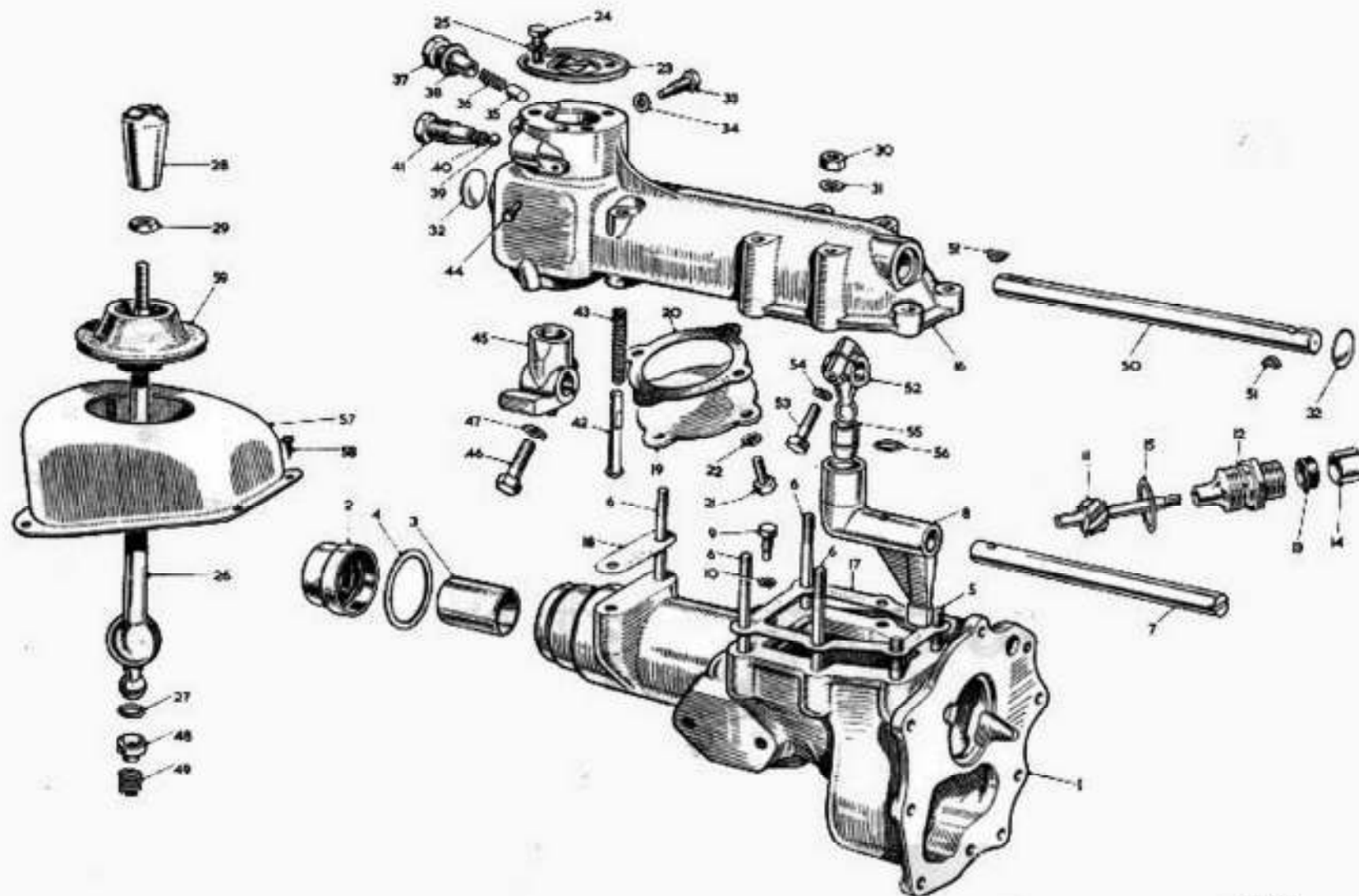
THE AUSTIN-HEALEY SPRITE

Item No.	DESCRIPTION	Commencing (E) W-U-H101		Qty. per Veh.	New Part Number	Change Point	REMARKS
		Part Number	Illus. No.				
Gearbox—Remote Control—continued							
1	Reverse shaft	2A2883	66	1			} Alternatives
2	Reverse shaft	22X181	67	1			
3	Screw for reverse shaft locking	2X2028	61	1			
4	Washer for locking screw (spring)	1.W.806	62	1			
5	Reverse wheel with bush	2A2883	63	1			} Alternatives
6	Reverse wheel with bush	2F.5.807	64	1			
7	Bush for reverse wheel	2.4.2082	61	1			
8	Fork—reverse	2A2884	65	1			
9	Rod—reverse fork	2.4.2837	66	1			
10	Fork—1st and 2nd speed	2A2818	67	1			
11	Rod—1st and 2nd speed fork	2.4.2863	68	1			
12	Fork—3rd and 4th speed	2A2821	68	1			
13	Rod—3rd and 4th speed fork	2.4.2817	70	1			
14	Screw—lock housing	2.4.2814	71	1			
15	Nut for lock housing screw	2.4.2814	72	2			
16	Washer for screw (shockproof)	W.8.104	73	2			Part No. change. Was 2K8007 and 1.W.8004
17	Plunger—interlock	2.4.2819	74	1			
18	Ball—interlock	2K.8011	75	2			
19	Plug for interlock ball hole	2A2858	76	1			
20	Washer for plug	2K.1056	77	1			
21	Plunger for fork rods	2.4.2816	78	2			
22	Spring for plunger	2K.1009	79	2	22A75		2K4009 not available. Use 22A75
23	Joint washer—gearbox extension to gearbox	2.4.2865	80	1			
24	Screw—rear extension to gearbox	HZ.50407	81	2			
25	Washer for set screw (spring)	W.8.201	82	2			
26	Lever—clutch withdrawal (with bush)	2A2406	83	1			
27	Bush for lever	2.4.2866	84	1			
28	Bolt for clutch withdrawal lever	2.4.2869	85	1			
29	Nut for bolt	2.4.2870	86	1			
30	Washer for bolt (spring)	2K.5013	87	1			
31	Washer for bolt (lock)	2K.5015	88	1			
32	Cover—dust for clutch withdrawal lever	2.4.2864	89	1	1G.607	Com (E) W-U-H120	
33	Cover—dust for bell housing	2.4.2874	90	1			
34	Cover for starter pinion	1B3346	91	1			
35	Screw—pinion cover to bell housing	2K.1135	92	2			
36	Washer for set screw (spring)	1.W.804	93	2			

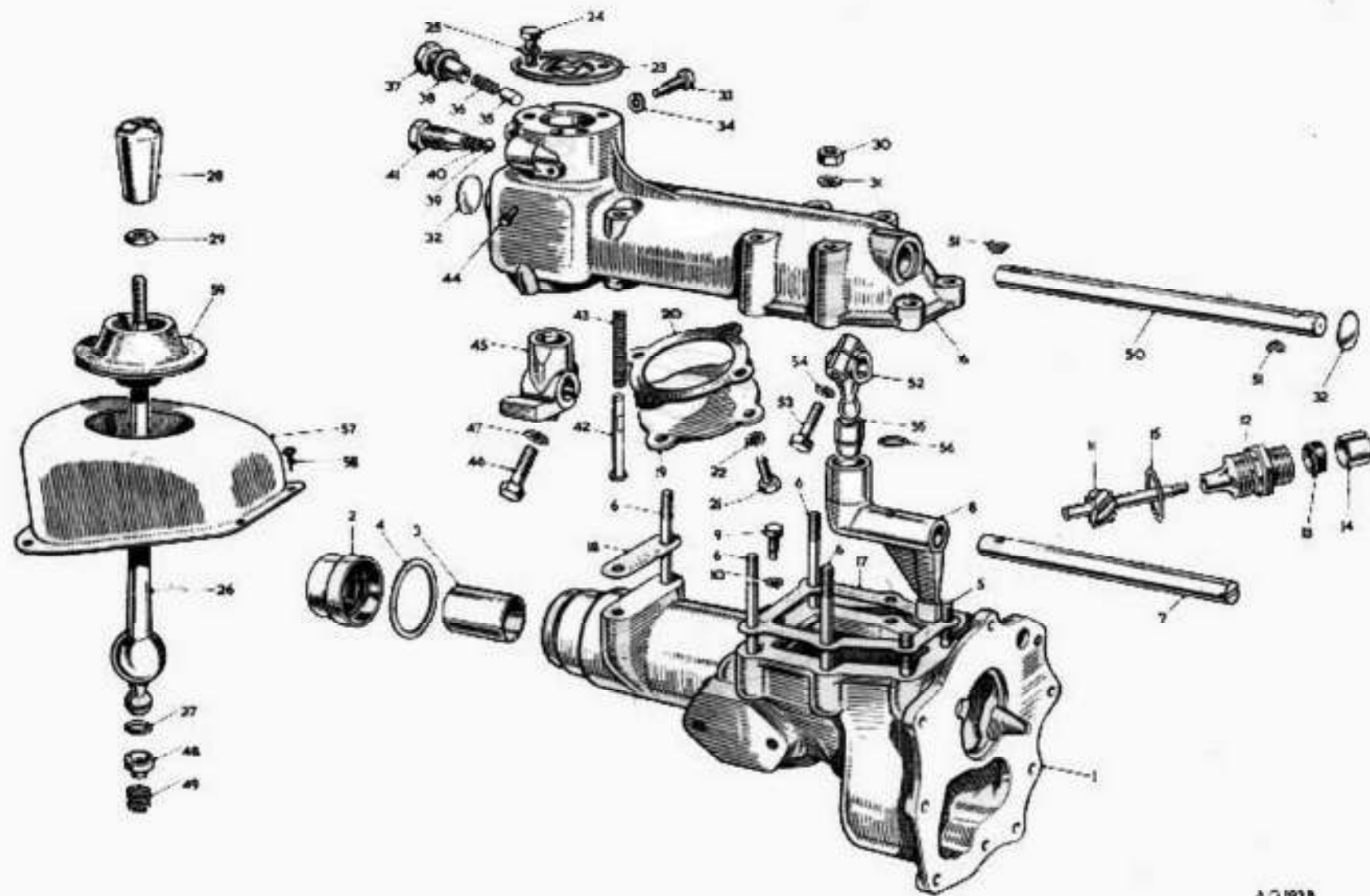
SERVICE PARTS LIST

THE AUSTIN-HEALEY SPRITE

Item No.	DESCRIPTION	Commencing (E) 9C-U-H101		Qty. per Veh.	MODIFICATIONS		REMARKS
		Part Number	Illus. No.		New Part Number	Change Point	
	Gearbox—Remote Control—continued						
1	Extension for gearbox with bush, oil seal, and felt ring (rear)	2A3367	1	1			
2	Seal—oil	2A3061	2	1			
3	Bush for propeller shaft sliding joint	2A3325	3	1			
4	Joint for seal	2A3278	4	1			
5	Stud for remote control housing (short)	58K528	5	2			
6	Stud for remote control housing (long)	58K535	6	6			
7	Shaft—control	2A3356	7	1] Alternatives
8	Shaft—control	22A183	8	1			
9	Lever—control	2A3384	9	1			
10	Peg for lever—locating	1H3101	10	1			
11	Washer for peg (spring)	LWZ304	11	1			
12	Pinion—speedometer	2A3372	12	1	2A3420	Com. (E) 9C-H5679	2A3372 not available. Use 2A3420
13	Bush for speedometer pinion (brass)	2A3256	13	1		Fin. (G) 21266	
14	Bush for speedometer pinion (nylon)		14	1	2A3064	Com. (G) 21267	
15	Seal—speedometer pinion oil	2A3254	15	1			
16	Ring—oil seal retaining	2A3255	16	1			
17	Joint washer—speedometer pinion bush (copper)	51K3169	17	1] Fin. (G) 21266] Alternatives
18	Joint washer—speedometer pinion bush (copper)	11G8084	18	1			
19	Casing—remote control	2A3411	19	1] Alternatives
20	Casing—remote control	2A3380	20	1			
21	Joint washer—casing to gearbox extension (front)	2A3344	21	1			
22	Joint washer—casing to gearbox extension (rear)	2A3345	22	1			
23	Cover for change speed lever tower (bottom)	2A3346	23	1			
24	Joint washer for bottom cover	2A3341	24	1			
25	Screw for bottom cover	HZS0404	25	4			
26	Washer for set screw (spring)	LWZ304	26	4			
27	Cover for change speed lever seat	2A3339	27	1			
28	Screw for cover	HZS0405	28	3			
29	Washer for set screw (spring)	LWZ304	29	3			



A O 1038



A O 193 B

SERVICE PARTS LIST

THE AUSTIN-HEALEY SPRITE

Item No.	DESCRIPTION	Commencing (E) 9C-U-H101		Qty. per Veh.	MODIFICATIONS		REMARKS
		Part Number	Illus. No.		New Part Number	Change Point	
	Gearbox—Remote Control—continued						
1	Lever—change speed	2A3416	26	1			
2	Ring for change speed lever (rubber)	TR50710	27	1			
3	Knob for lever	2A3388	28	1	AEA8188	Com. (G) 11521] Part No. change. Was 2A3384 For 2A3388 use AEA8188 for this application
4	Nut for knob (lock)	58K1722	29	1		Fin. (G) 11520	
5	Nut for stud—remote control to gearbox extension	FNZ105	30	8			
6	Washer for nut (spring)	LWZ305	31	8			
7	Plug for remote control casing (weich)	2K8158	32	2			
8	Peg—change speed lever locating	1H8101	33	1			
9	Washer for locating peg (spring)	LWZ304	34	1			
10	Plunger—anti-rattle	AEG8124	35	2	22A84	Com. (E) 9C-H25509	
11	Spring for plunger	AEG8128	36	2			
12	Cap—spring retaining	2A3354	37	2	22A85	Com. (E) 9C-H25509	
13	Washer for spring retaining cap	AEG8122	38	2			
14	Ball—reverse selector plunger	BLS110	39	1			
15	Spring—reverse selector plunger detent	2K4600	40	1	22A75		2K4600 not available. Use 22A75
16	Plug—reverse plunger	2A3379	41	1			
17	Plunger—reverse selector	1G8707	42	1			
18	Spring for plunger	1G8968	43	1			
19	Pin—locating (for reverse selector plunger)	2A3378	44	1			
20	Lever—rear selector	2A3388	45	1			
21	Screw for rear selector lever	2A3385	46	1			
22	Washer for screw (spring)	LWZ205	47	1			
23	Thrust button for rear selector lever	2A3389	48	1	2A3407	Com. (G) 18387	2A3389 not available. Use 2A3407
24	Spring for thrust button	2A3390	49	1			
25	Shaft—remote control	2A3375	50	1			
26	Key—selector levers to control shaft	WKN404	51	2			
27	Lever—front selector	2A3385	52	1			
28	Screw for selector lever (front)	2A3352	53	1			
29	Washer for screw (spring)	LWZ204	54	1			
30	Bush for selector lever—front (in halves)	2A3377	55	1] Fin. (G) 14404	
31	Clip for bush	1G8709	56	1			
32	Bush for selector lever (front)			1	2A3408	Com. (G) 14405	
33	Bolt—gearbox to mounting plate	HZ50509		3			Part No. change. Was HBZ0509
34	Nut for bolt	FNZ105		3			
35	Washer for bolt (spring)	2K5319		3			
36	Screw—gearbox to mounting plate	HZ50509		5			Part No. change. Was HBZ0509
37	Washer for set screw (spring)	2K5319		5			
38	Cover—remote control	BLA768	57	1			
39	Screw—remote control cover	PTZ908	58	4			
40	Grommet—gear lever	ACA5208	59	1			