

SERVICE PARTS LIST

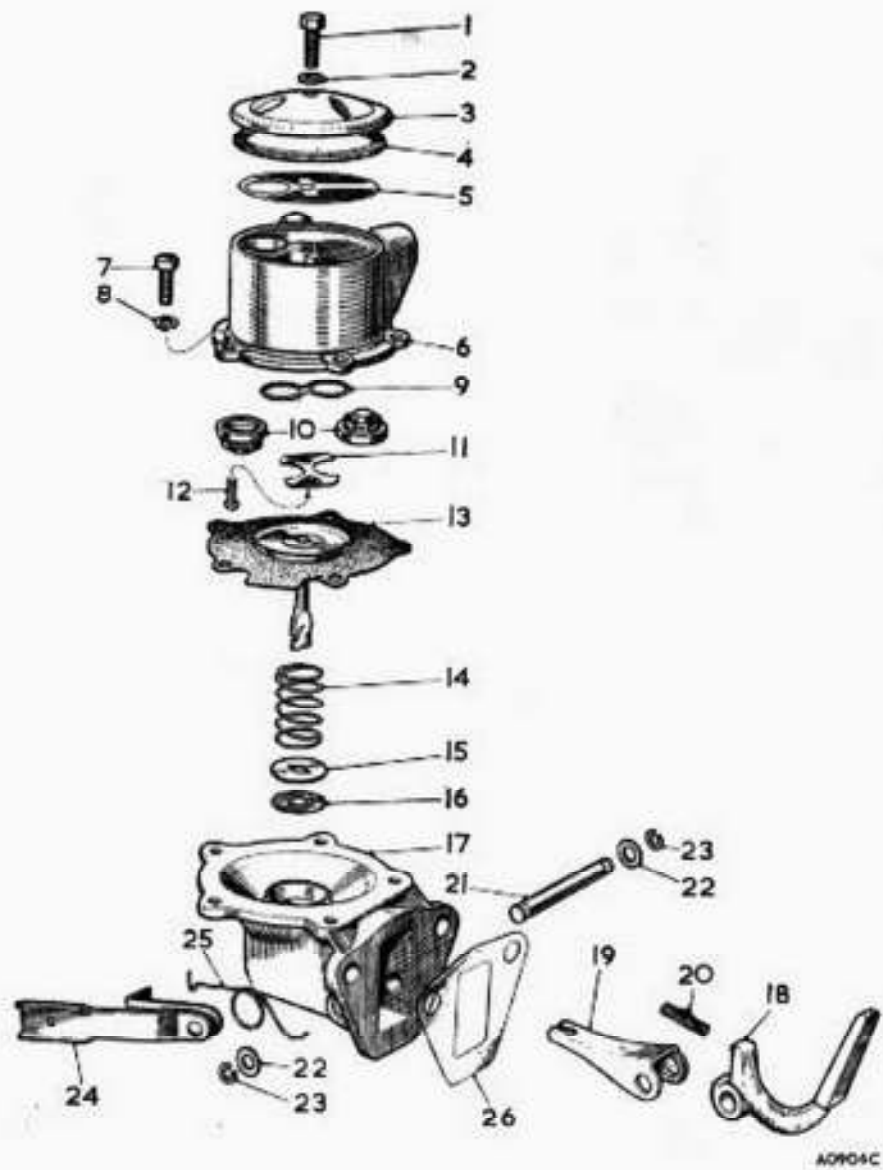
THE AUSTIN-HEALEY SPRITE

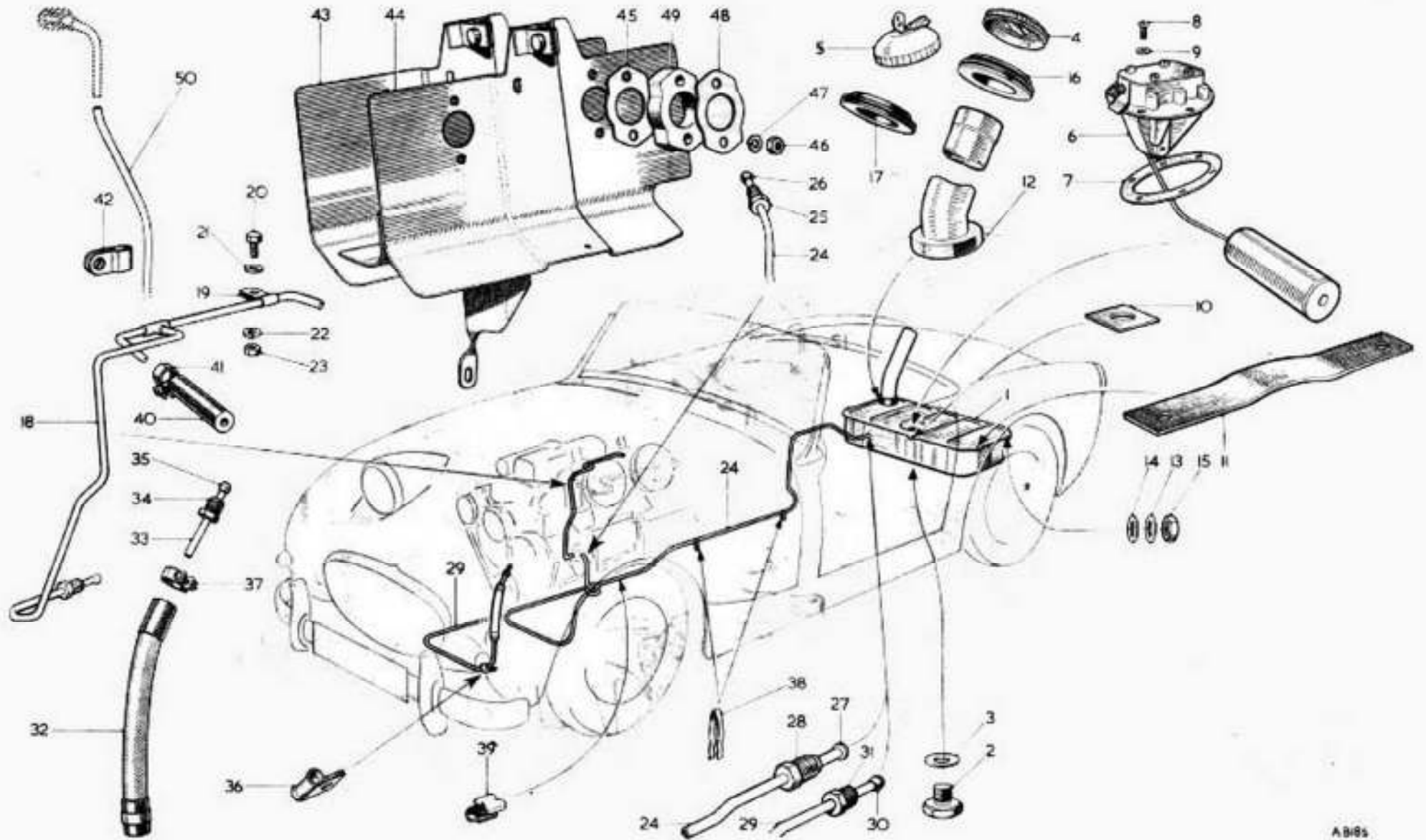
Item No.	DESCRIPTION	Commencing (C) 501		Qty. per Veh.	MODIFICATIONS		REMARKS
		Part Number	Illus. No.		New Part Number	Change Point	
	<b>FUEL SYSTEM</b>						
	<b>FUEL PUMP</b>						
1	Pump—fuel	17H98		1			
2	Screw fixing cover	7H1390	1	1			
3	Gasket for screw	7H1384	2	1			
4	Cover—filter	7H1381	3	1			
5	Gasket—filter cover	17H856	4	1			
6	Gauze—filter	7H1382	5	1			
7	Casting—upper	27H1170	6	1			
8	Screw—upper fasting to body	7H1391	7	5			
9	Washer for screw (lock)	7H1920	8	5			
10	Gasket—valve	7H816	9	1			
11	Valve assembly	7H1501	10	2			
12	Retainer—valve	7H1670	11	1			
13	Screw fixing retainer	7H1485	12	2			
14	Diaphragm assembly	7H1378	13	1			
15	Spring—diaphragm	7H1302	14	1			
16	Washer—oil seal (metal)	17H860	15	1			
17	Washer—oil seal (fabric)	17H861	16	1			
18	Body—pump	7H1679	17	1			
19	Arm—rocker	7H1387	18	1			
20	Link—rocker arm	7H1386	19	1			
21	Spring—rocker arm	7H1305	20	1			
22	Pin—rocker arm	7H818	21	1			
23	Washer for pin	7H1389	22	2			
24	Clip for pin	7H1388	23	2			
25	Lever assembly—priming	7H1667	24	1			
26	Spring—priming lever	7H1666	25	1			
27	Gasket—engine pad	2A113	26	1			
28	Nut for fuel pump stud	FNZ105		2	12A1	Com. (E) 10000	For FNZ105 use 12A1 for this application
29	Washer for stud (spring)	LWN205		2			

SERVICE PARTS LIST

THE AUSTIN-HEALEY SPRITE

Item No.	DESCRIPTION	Commenting (C) 501		Qty. per Veh.	MODIFICATIONS		REMARKS
		Part Number	Illus. No.		New Part Number	Change Point	
	<b>FUEL PUMP REPAIR KITS</b>						
1	<b>Kit—fuel pump repair—primary</b>	<b>8G2205</b>		<b>1</b>			
2	Gasket for cover screw		2	1			
3	Gasket—filter cover		4	1			
4	Gasket—valve		9	1			
5	Valve assembly		10	2			
6	Diaphragm assembly		13	1			
7	Gasket—engine pad		26	1			
8	<b>Kit—fuel pump repair—major</b>	<b>8G2206</b>		<b>1</b>			
9	Gasket for cover screw		2	1			
10	Gasket—filter cover		4	1			
11	Gauze—filter		5	1			
12	Gasket—valve		9	1			
13	Valve assembly		10	2			
14	Retainer—valve		11	1			
15	Screw fixing retainers		12	2			
16	Diaphragm assembly		13	1			
17	Washer—oil seal (metal)		15	1			
18	Washer—oil seal (fabric)		16	1			
19	Arm—rocker		18	1			
20	Link—rocker arm		19	1			
21	Spring—rocker arm		20	1			
22	Pin—rocker arm		21	1			
23	Washer for pin		22	2			
24	Clip for pin		23	2			
25	Gasket—engine pad		26	1			





A985

SERVICE PARTS LIST

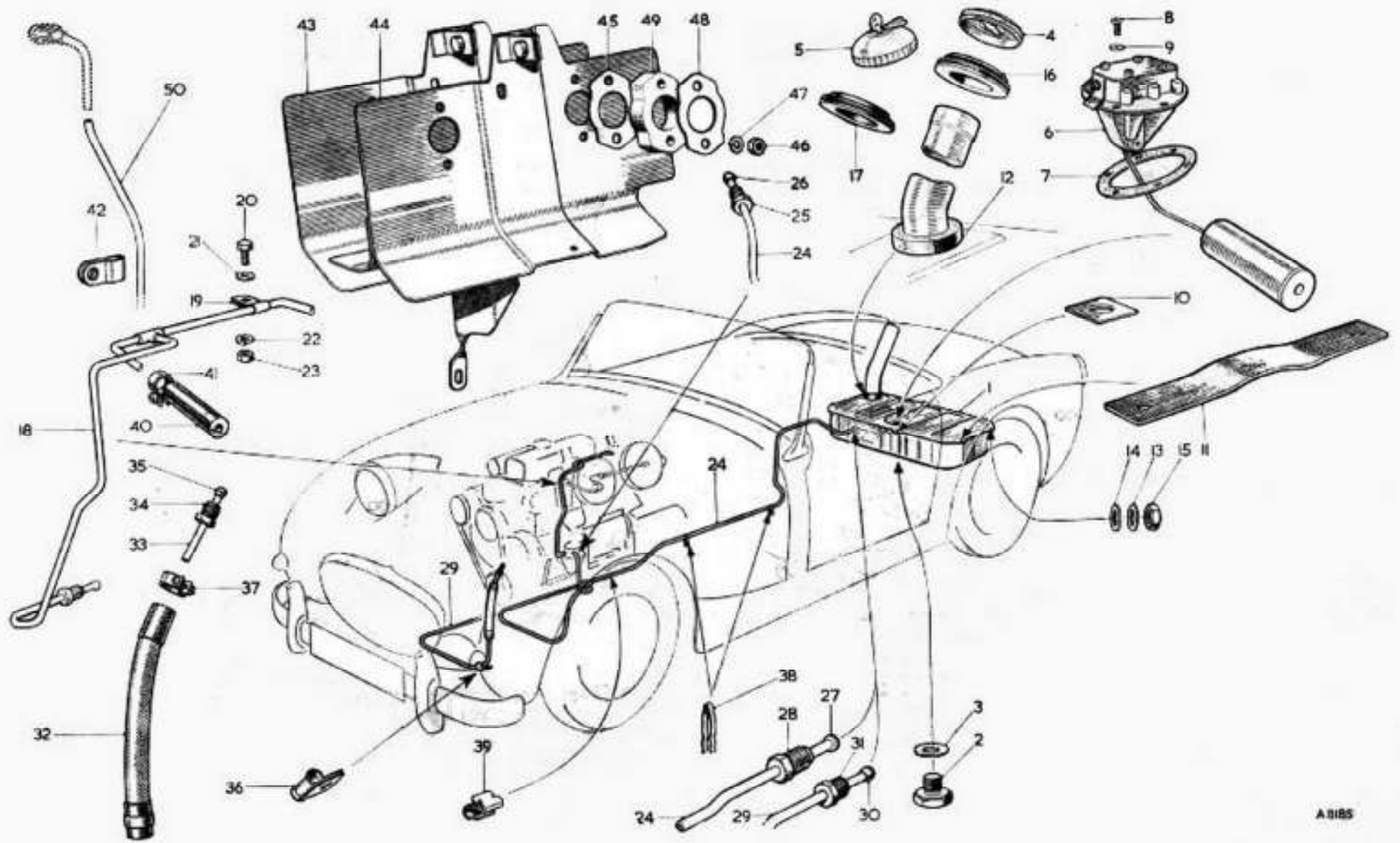
THE AUSTIN-HEALEY SPRITE

Item No.	DESCRIPTION	Commencing (C) 501		Qty. per Veh.	MODIFICATIONS		REMARKS
		Part Number	Illus. No.		New Part Number	Change Point	
	<b>FUEL TANK</b>						
1	Fuel tank complete with filler tube	ARATT	1	1			
2	Plug—drain	ARH672	2	1			
3	Washer for drain plug	AR949	3	1			
4	Cap—filler	8G654	4	1			
5	Cap—filler (complete with lock)	2A504	5	1			
6	Unit—tank—fuel gauge	2A404	6	1			Optional extra
7	Washer for tank unit (joint)	2H1082	7	1			
8	Screw—tank unit to tank	38K165	8	6			
9	Washer for tank unit screw	2A2088	9	6			
10	Washer for tank mounting (small)	2A2070	10	2			
11	Washer for tank mounting (large)	2A2071	11	2			
12	Ring—sealing—tank to floor	2A2069	12	1			
13	Washer—tank to floor (shakproof)	LWN405	13	6			Part No. change. Was 2K8606 and LWN605
14	Washer—tank to floor (plain)	PWZ105	14	6			
15	Nut—tank to floor	FNZ105	15	6			
16	Collar for tank filler (rubber)	ALH2450	16	1		Fin. (C) 11759	] For ALH2450 use AHA5445 For this application
17	Grommet for tank filler		17	1	AHA5445	Com. (C) 11760	
	<b>FUEL PIPES</b>						
18	Pipe assembly—fuel—pump to carburettor lead pipe	AEA342	18	1	AEA393		AEA342 not available. Use AEA393
19	Clip for pipe	PCR0409	19	2/1		Com. (E) 9C-H18480	] Quantity reduced
20	Screw for clip	ZCS0404	20	2/1	HZS0404		
21	Washer for screw (plain)	PWZ104	21	2/1			] Quantity reduced at (E) 9C-H18480
22	Washer for screw (spring)	LWZ204	22	2/1			
23	Nut for screw		23	1	FNZ104	Com. (E) 9C-H18480	
24	Pipe—tank to pump	2A5638	24	1	AHA5469		] Quantity reduced
25	Nut	6K648	25	2/1		Com. (C) 15401	
26	Olive	6K685	26	2/1		Fin. (C) 41015	
27	Nipple (tank end)		27	1	ACA5120		
28	Nut (tank end)		28	1	ACA5128		

SERVICE PARTS LIST

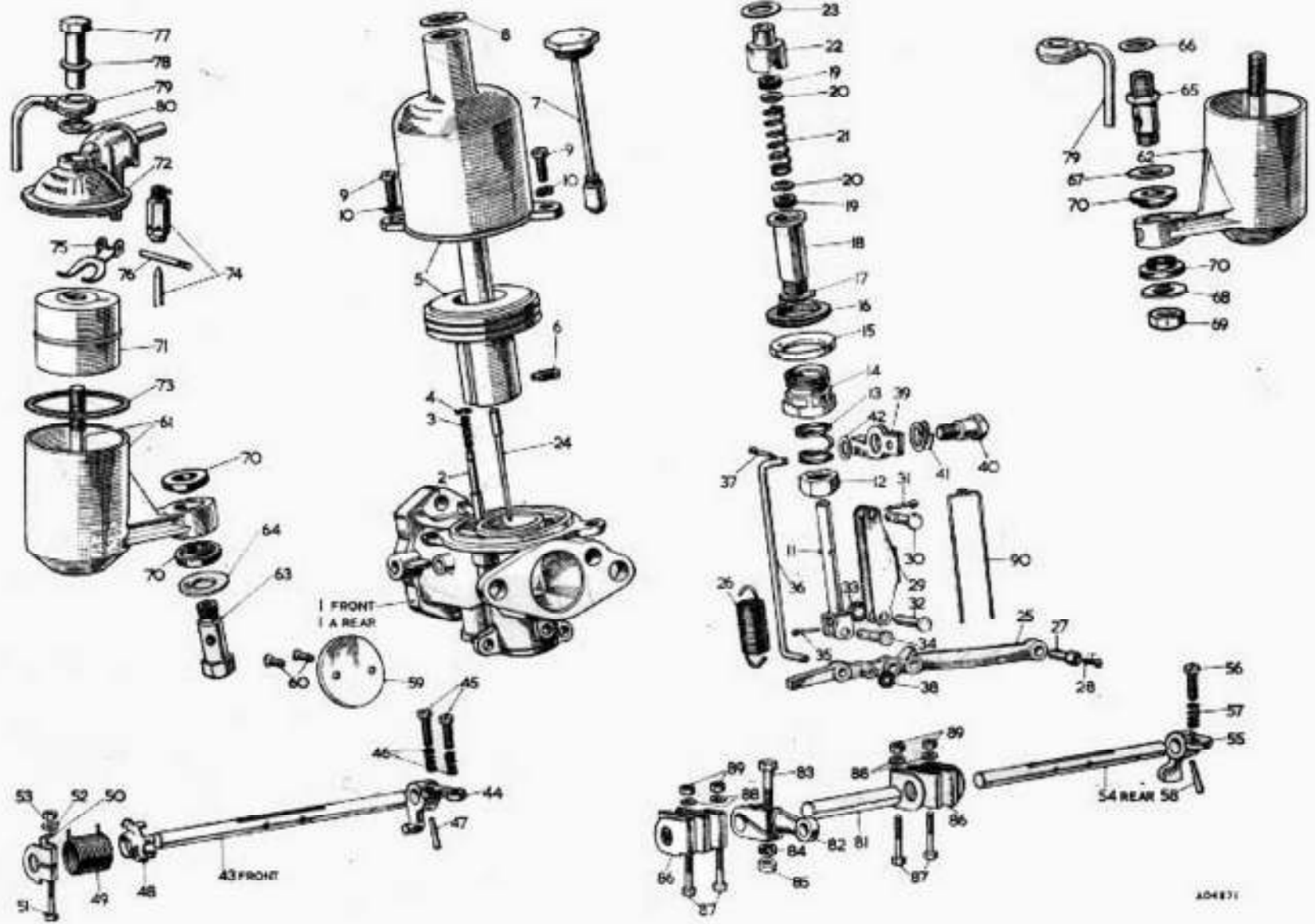
THE AUSTIN-HEALEY SPRITE

Item No.	DESCRIPTION	Commencing (C) 501		Qty. per Veh	MODIFICATIONS		REMARKS
		Part Number	Illus. No.		New Part Number	Change Point	
	<b>Fuel pipes—continued</b>						
1	Pipe—tank to flexible pipe		29	1	AHA5536	Com. (C) 43016	
2	Nipple		30	1	ACA5129		
3	Nut		31	1	ACA5128		
4	Pipe—flexible		32	1	21A206		
6	Pipe—flexible pipe to pump		33	1	AHA5535		
6	Nut		34	1	6K648		
7	Olive		35	1	6K685		
8	Clip—pipe to L. H. engine mounting bracket bolt		36	1	PCR0411		
9	Clip—flexible pipe to Bundy pipe		37	2	ACH5834		
10	Clip for pipe	6K85	38	2			
11	Clip for pipe	17H6525	39	2			
12	Pipe—carburettor feed	AEA338	40	2	AE0022	Com. (E) 9C-H35641	
13	Clip for feed pipe		41	4	AEA448	Com. (E) 9C-H29012	
						Com. (E) 9C-H85641	
14	Clip for carburettor overflow pipe		42	1	AEH4550	Com. (E) 9C-H41551	
						Fin. (E) 9C-H28913	
	<b>HEAT SHIELD</b>						
15	Heat shield for carburettor	AEA338	43	1		Fin. (E) 9C-H17364	Not available. Use AEA395
16	Heat shield for carburettor and fuel pump		44	1	AEA395	Com. (E) 9C-H17365	
17	Joint washer for heat shield	3H2687	45	4			
18	Nut for carburettor stud	FNZ104	46	4			
19	Washer for stud (spring)	LWZ204	47	4			
20	Joint washer for carburettor	3H2687	48	2			
21	Washer for carburettor—insulating	3H2686	49	2			
	<b>CARBURETTOR OVERFLOW PIPE</b>						
22	Pipe—overflow (nylon)		50	2	ABC085	Com. (E) 28914	



ABBS





SERVICE PARTS LIST

SPECIFICATION No. AUC863

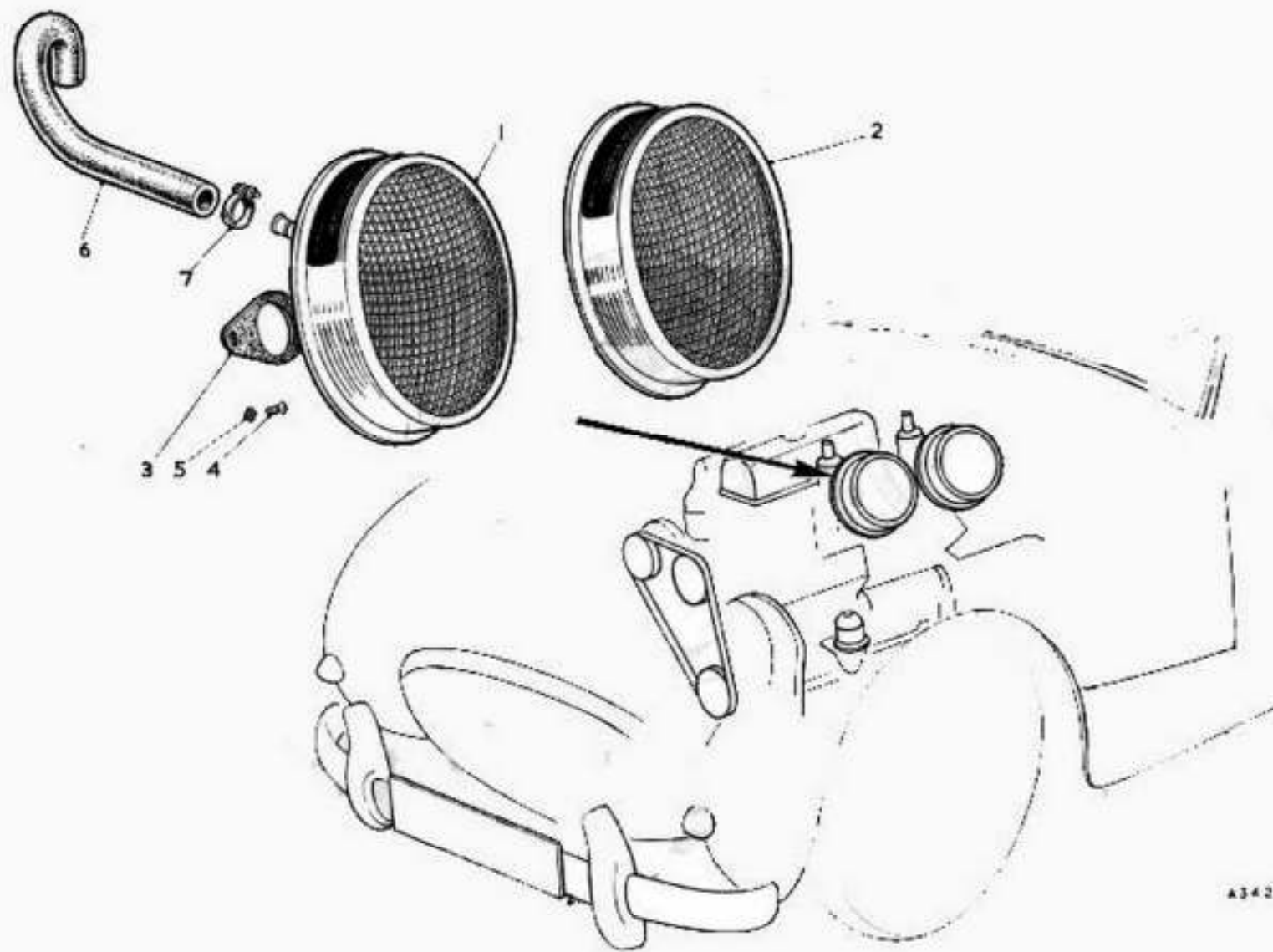
THE AUSTIN-HEALEY SPRITE

Description	Part No.	Illus. No.	Qty. Off.	Modifications		Description	Part No.	Illus. No.	Qty. Off.	Modifications	
				New Part No.	Remarks					New Part No.	Remarks
<b>Carburettor complete</b>	<b>AUC863</b>		<b>1</b>			Screw—stop adjusting	AUC8464	45	2		
<b>Carburettor assembly—front</b>	<b>AUC9050</b>		<b>1</b>			Spring for screw	AUC8465	46	2		
<b>Carburettor assembly—rear</b>	<b>AUC9051</b>		<b>1</b>			Pin for throttle stop lever	AUC2106	47	1		
Body—front carburettor	AUC6009	1	1			Plate—return spring anchor	AUC4890	48	1		For AUC9050
Body—rear carburettor	AUC6018	1A	1			Spring—return	AUC4781	49	1		
Pin—piston lifting	AUC1240	2	2			Clip for return spring	AUC4881	50	1		
Spring for pin	AUC1151	3	2			Bolt for clip	AUC2669	51	1		
Circlip for pin	AUC1250	4	2			Washer—plain—for bolt	AUC4612	52	1		
Chamber and piston assembly	AUC6000	5	2			Nut for bolt	AUC2673	53	1		
Screw—needle locking	AUC2883	6	2			Spindle—throttle	AUC8404	54	1		For AUC9051
Cap and damper assembly	AUC8114	7	2			Lever—stop—throttle	AUC2197	55	1		
Washer for cap	AUC4900	8	2			Screw—stop adjusting	AUC8464	56	1		
Screw—chamber to body	AUC5156	9	4			Spring for screw	AUC8465	57	1		
Washer—spring—for screw	AUA1086	10	4			Pin for throttle stop lever	AUC2106	58	1		
Jet assembly	AUC8182	11	2			Disc—throttle	AUC2108	59	2		
Nut—adjusting	AUC2121	12	2			Screw for disc	AUC1358	60	4		
Spring for adjusting nut	AUC2114	13	2			Chamber—float	AUC6402	61	1		For AUC9050
Nut—gland sealing	AUC2282	14	2			Chamber—float	AUC8408	62	1		For AUC9051
Ring—sealing—brass	AUC2117	15	2			Bolt—chamber to body	AUC1185	63	2	AUC1885	Com. and Fin. Nos. not available
Ring—sealing—cork	AUC2118	16	2			Washer—plain—for bolt	AUC1187	64	2	AUC1887	
Washer—bottom bearing—copper	AUC2288	17	2			Pillar—banjo	65	2	AUC1887		
Bearing—bottom	AUC2281	18	2			Washer for pillar	66	2	AUC1884	Pillar-type fixing for float-chamber	
Washer—gland—cork	AUC2120	19	4			Washer—steel—inner	67	2	AUC1889		
Washer—gland—brass	AUC2110	20	4			Washer—steel—outer	68	2	AUC1888		
Spring—gland	AUC1158	21	2			Nut—lock	69	2	AJD8206Z		
Bearing—top	AUC2290	22	2			Grommet—rubber	AUC1884	70	4	AUC1584	Com. No. not available
Washer—top bearing—copper	AUC2122	23	2			Float	AUC1228	71	2		
Needle—GG—standard—jet	AUD1211	24	2			Lid—float-chamber	AUC2208	72	2		
Lever—jet	AUC4045	25	2			Washer for lid	AUC1412	73	2		
Spring—jet lever—return	AUC4667	26	2			Needle and seat assembly	AUC8170	74	2	AUC8001	Com. (E) 15305
Pin—lever to stirrup	AUC5058	27	2			Lever—hinged	AUC1981	75	2		
Screw—cable clamp	AUC5047	28	2			Pin for hinged lever	AUC1152	76	2		
Link assembly—jet lever	AUC4719	29	2			Cap nut for lid	AUC1188	77	2	AUC1667	Com. (E) 1551
Pin—link to body	AUC2881	30	2			Cover cap for lid	AUC1245	N.I.	2		Fin. (E) 1550
Split pin for pin	AUC2109	31	2			Washer—aluminium—for nut	AUC1507	78	2		
Pin—lever to link	AUC5009	32	2			Banjo vent and drain pipe	AUC8484	79	1	AUC2200	Com. (E) 28914
Washer—Starlock—for pin	AUC5004	33	2			Banjo vent and drain pipe	AUC8485	79	1	AUC2200	
Pin—lever to jet	AUC2881	34	2			Washer—fibre	80	2	AUC1928	Com. (E) 1551	
Split pin for pin	AUC2109	35	2			Rod—throttle connecting	AUC2411	81	1		
Link—tension	AUC2501	36	1			Lever—throttle	AUC1501	82	1		
Split pin—link to rocking lever	AUC2109	37	1			Bolt for lever	AUC2004	83	1		
Washer—Starlock—link to jet lever	AUC5002	38	1			Washer—spring—for bolt	AUC2246	84	1		
Lever—rocking	AUC3503	39	1		For AUC9050	Nut for bolt	AUC2156	85	1		
Bolt—pivot—for lever	AUC8471	40	1			Coupling	AUC5124	86	2		
Washer—spring—for bolt	AUC8472	41	1			Bolt for coupling	AUC2669	87	4		
Washer—aluminium	AUC4848	42	1			Washer—plain—for bolt	AUC4612	88	4		
Spindle—throttle	AUC1045	43	1			Nut for bolt	AUC2678	89	4		
Lever—stop—throttle	AUC8446	44	1			Stirrup—jet lever connecting	AUC1025	90	1		

**SERVICE PARTS LIST**

**THE AUSTIN-HEALEY SPRITE**

Item No.	DESCRIPTION	Commencing (C) 501		Qty. per Veh.	MODIFICATIONS		REMARKS
		Part Number	Illus. No.		New Part Number	Change Point	
	<b>AIR CLEANER</b>						
1	Cleaner—air (front)	2A835		1			
2	Cleaner—air (front)	2A848	1	1			Not available. Use 2A848
3	Cleaner—air (rear)	2A836		1			
4	Cleaner—air (rear)	2A849	2	1			Not available. Use 2A849
5	Joint—air cleaner to carburetter	ACA5071	2	2			
6	Screw—air cleaner to carburetter	HZ50506	4	4			
7	Washer for air cleaner screw (spring)	LW2305	5	4			
8	Hose—air cleaner to rocker cover	1H529	6	1			
9	Clip—hose	8G531	7	2			



A3425