

A0383

SERVICE PARTS LIST

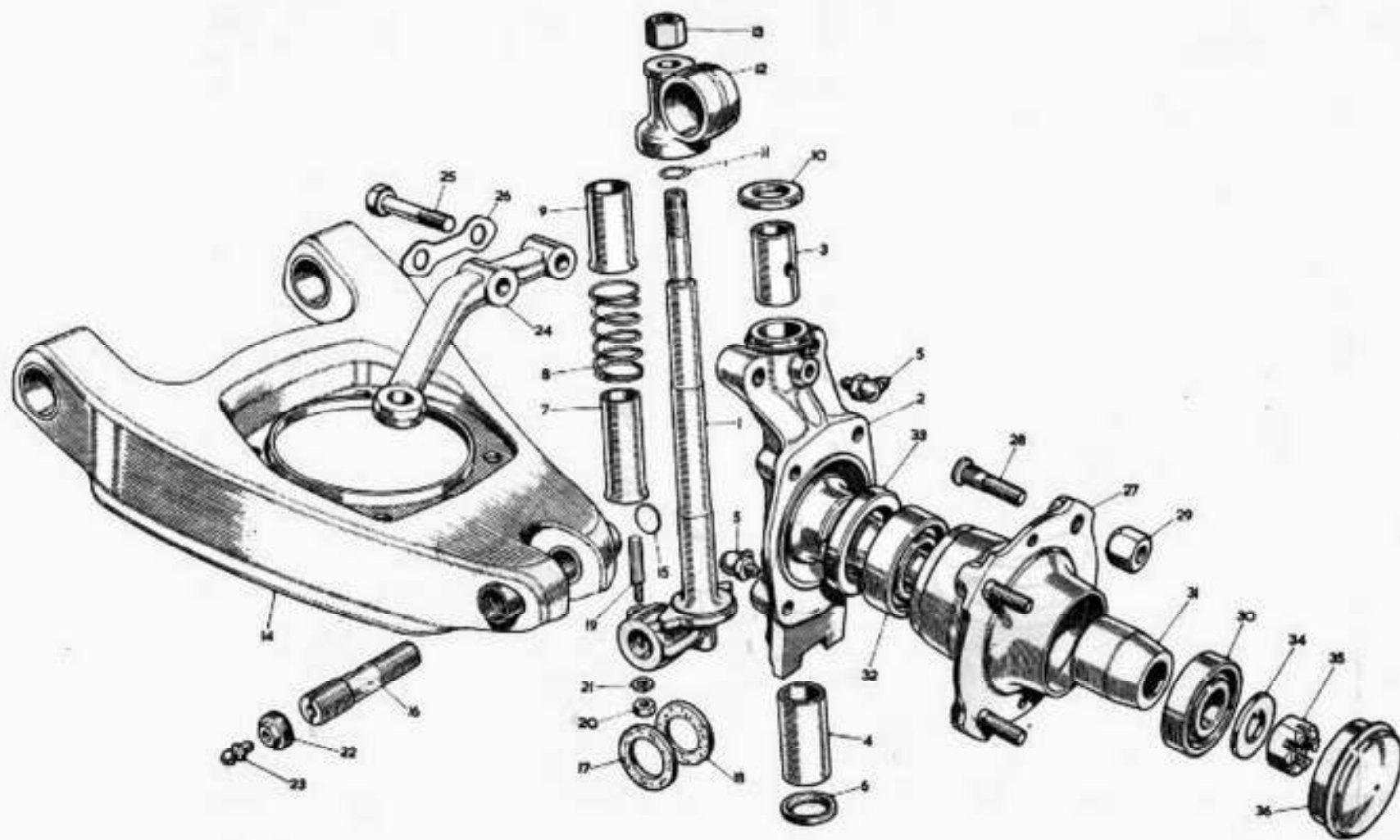
THE AUSTIN-HEALEY SPRITE

Item No.	DESCRIPTION	Commencing (C) 501		Qty. per Veh.	MODIFICATIONS		REMARKS
		Part Number	Illus. No.		New Part Number	Change Point	
FRONT AXLE AND SUSPENSION							
1	Front suspension assembly (R.H.)	N.S.P.		1			
2	Front suspension assembly (L.H.)	N.S.P.		1			
3	Pin—swivel	2A4064		1			
4	Axle assembly—swivel	2A4129		2	2A4304	Com. (C) 6433, except 6118, 6121, 6232, 6234, 6235, 6312, 6326, 6329, 6366, 6374, 6395, 6406, 6408	
5	Bush (top)	2A4176		3			
6	Bush (bottom)	1A4744		4			
7	Lubricator—swivel axle bush	3H2192		5	UHN400		3H2192 not available. Use UHN400
8	Ring—sealing	2A4009		6			
9	Tube—dust excluder (bottom)	2A4011		7			
10	Spring for dust excluder	6K658		8			
11	Tube—dust excluder (top)	2A4010		9			
12	Washer (thrust)	2A4006		10			
13	Washer—adjustment (.012" (.30 mm.))	2A4008		11	A/R		
14	Washer—adjustment (.008" (.2032 mm.))	2A4007			A/R		
15	Washer—adjustment (.003" (.0762 mm.))	2A4108			A/R		
16	Trunnion—suspension link	2A4005		12			
17	Nut—trunnion to swivel pin	FNZ307		13			
18	Link—lower	2A4100		14	21A153	Com. (C) 27912	
19	Plug for fulcrum pin small bush (blanking)	51K3424		15			
20	Pin—fulcrum	2A4020		16			
21	Ring for fulcrum pin (large)	2A4206		17			
22	Ring for fulcrum pin (small)	2A4205		18			
23	Pin—cotter—fulcrum pin to swivel pin	51K1769		19			
24	Nut for cotter pin	FNZ108		20			
25	Washer for nut (spring)	LWZ203		21			
26	Plug for fulcrum pin large bush (screwed)	8G589		22			
27	Lubricator	UHN400		23			
28	Lever—steering (R.H.)	2A4212		1	ATA4130	Com. (C) 4800	Part No. change. Was 3H1700 2A4212 not available. Use ATA4130 with 1 off ATA4132 2A4213 not available. Use ATA4131 with 1 off ATA4132 Quantity reduced at (C) 4799
29	Lever—steering (L.H.)	2A4213		1	ATA4131		
30	Screw—steering lever to swivel axle	58K1370		25	4/2		
31	Screw—steering lever to swivel axle				ATA4132	Com. (C) 4800	
32	Washer for screw (lock)	2K5877		26			

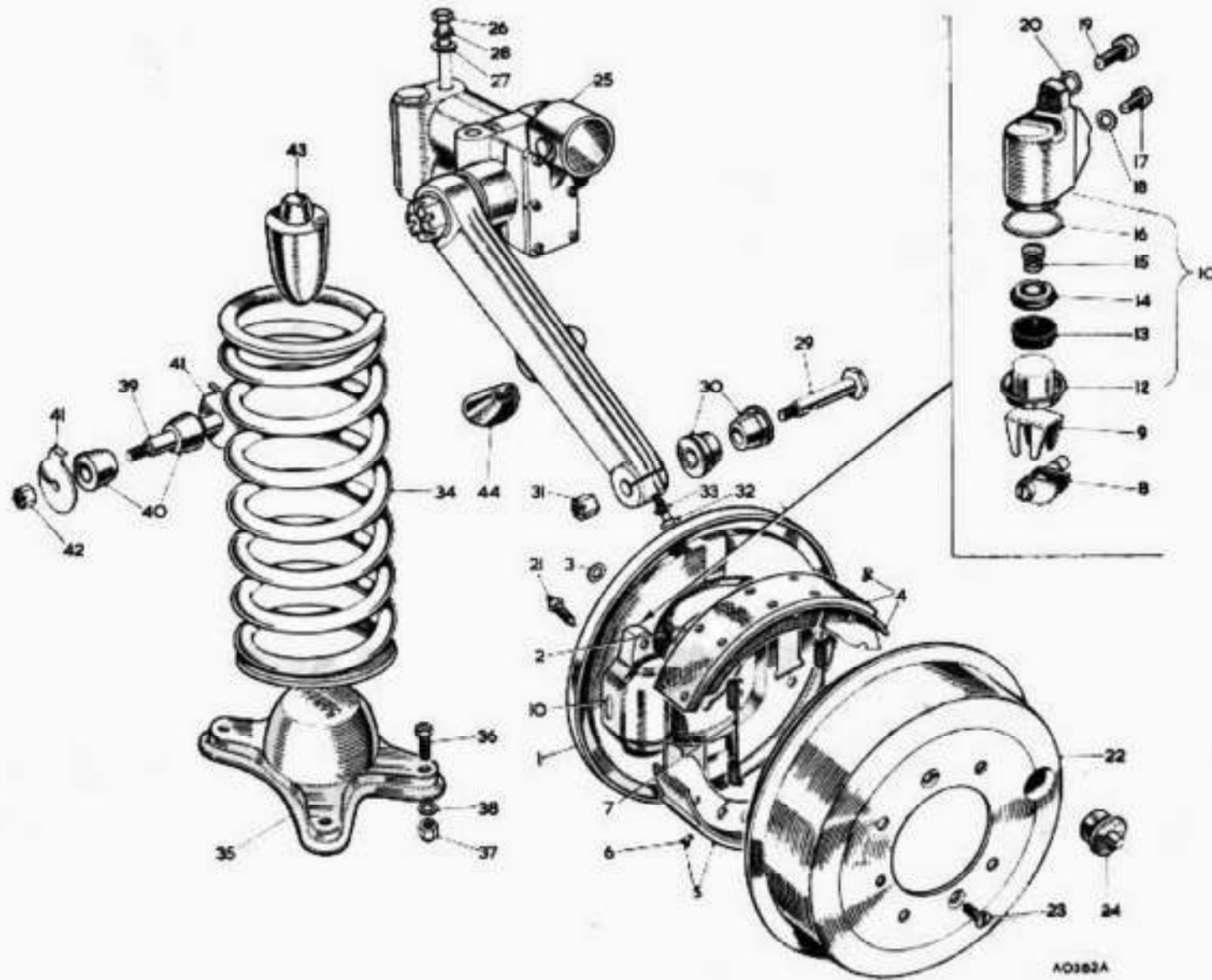
SERVICE PARTS LIST

THE AUSTIN-HEALEY SPRITE

Item No.	DESCRIPTION	Commencing (C) 501			MODIFICATIONS		REMARKS
		Part Number	Illus. No.	Qty. per Veh.	New Part Number	Change Point	
1	Front Axle and Suspension—continued Hub assembly	2A4137	27	2	2A4348		For 2A4137 use 2A4348 for this application
2	Stud—wheel	2A4006	28	8			
3	Nut for wheel stud	2A8012	29	8			
4	Bearing for hub (outer)	2A4148	30	2] Alternatives
5	Distance piece for bearing	2A4140	31	2			
6	Distance piece for bearing	ATA4064		2			
7	Bearing for hub (inner)	2A4147	32	2	2A4299	Com. (C) 6433 except 6118, 6121, 6232, 6234, 6235, 6312, 6326, 6329, 6366, 6374, 6395, 6406, 6408	
8	Seal—oil	ACA4000	33	2			
9	Washer—bearing retaining	2A4003	34	2			
10	Nut to swivel axle	51K328	35	2			
11	Cap—oil-retaining	2A4007	36	2			



A0363



A0382A

SERVICE PARTS LIST

THE AUSTIN-HEALEY SPRITE

Item No.	DESCRIPTION	Commencing (C) 501		Qty. per Veh.	MODIFICATIONS		REMARKS
		Part Number	Illus. No.		New Part Number	Change Point	
	Front Axle and Suspension—continued						
1	Plate—brake (R.H.)	17H7543		1			
2	Plate—brake (L.H.)	17H7544	1	1			
3	Screw—brake-plate to swivel axle	51K1868	2	8			
4	Washer for screw (shakeproof)	LWZ405	3	8			
5	Shoe assembly—brake	AJA5085	4	2 sets			
6	Liner (with rivets)	300826	5	1 set			
7	Rivets	7H7898	6	28			
8	Spring—brake-shoe pull-off	301927	7	4			
9	Adjuster—Micram	68640	8	2	17H7576		68640 not available. Use 17H7576
10	Mask	68648	9	2			
11	Cylinder assembly—wheel (R.H.)	7H7949		2			
12	Cylinder assembly—wheel (L.H.)	7H7950	10	2			
13	Body (R.H.)	N.S.P.		2			
14	Body (L.H.)	N.S.P.		2			
15	Piston with dust cover	7H7941	12	4			
16	Cup	7H7924	18	4			
17	Filler—cup	7H7988	14	4			
18	Spring for cup filler	7H7989	15	4			
19	Ring—sealing	7H7768	16	4			
20	Screw—wheel cylinder fixing (small)	7H7590	17	4			
21	Washer for screw (shakeproof)	7H7807	18	4			
22	Screw—wheel cylinder fixing (large)	7H7686	19	4			
23	Washer for screw (spring)	7H7868	20	4			
24	Screw—bleeder	8H9428	21	2			
25	Drum—brake	2A7168	22	2			
26	Screw—drum to hub	CN20407	23	4			
27	Plug for brake-drum	2A7228	24	2			
28	Kit—wheel cylinder repair	8G8245		4 sets			
29	Cup			4			
30	Ring—sealing			4			

SERVICE PARTS LIST

THE AUSTIN-HEALEY SPRITE

Item No.	DESCRIPTION	Commencing (C) 501		Qty. per Veh.	MODIFICATIONS		REMARKS
		Part Number	Illus. No.		New Part Number	Change Point	
	Front Axle and Suspension—continued						
1	Absorber—shock (R.H.)	2A4172		1			
2	Absorber—shock (L.H.)	2A4174	25	1			
3	Screw—shock absorber to frame	55K1364	26	6			
4	Washer for screw (plain)	PWZ106	27	6			
5	Washer for screw (spring)	LWZ306	28	6			
6	Pin—fulcrum—shock absorber to trunnion	2A4028	29	2			
7	Bearing	2A4027	30	4] Alternatives
8	Bearing	2A4168		4			
9	Nut for fulcrum pin	FNZ306	31	2			
10	Bolt—clamping fulcrum pin to shock absorber arm	55K1380	32	2			
11	Washer for bolt (shakproof)	LWN405	33	2			Part No. change. Was 2K8606 and LWN605
12	Spring—road (coil)	2A4214	34	2			
13	Seat—spring	2A4081	35	2	21A137	Com. (C) 48335	2A4081 not available. Use 21A137
14	Bolt—spring seat to lower link	55K1368	36	8			
15	Nut for bolt	LNZ205	37	8			
16	Washer for nut (shakproof)	LWN405	38	8			Part No. change. Was 2K8606 and LWN605
17	Pin—fulcrum—lower link to frame	2A4021	39	4	2A4272	Com. (C) 11126	2A4021 not available. Use 2A4272 with LNZ306
18	Bearing for lower link	8G921	40	8			
19	Washer for fulcrum pin (special)	2A4024	41	4			
20	Nut for fulcrum pin	FNZ306	42	4	LNZ306	Com. (C) 11126	
21	Buffer—suspension	2A4020	43	2			
22	Buffer—rebound	2A4082	44	2			
23	Kit—swivel pin and bush repair	8G4177		1 set			
24	Pin—swivel			2			
25	Bush—top			2			
26	Bush—bottom			2			
27	Ring—sealing			2			
28	Nut for swivel pin			2			
29	Washer—thrust			2			
30	Washer—adjustment (.012" [.30 mm.])			2			
31	Washer—adjustment (.008" [.2032 mm.])			2			
32	Washer—adjustment (.003" [.0762 mm.])			2			
33	Ring for fulcrum pin (large)			2			
34	Ring for fulcrum pin (small)			2			
35	Pin—cotter			2			
36	Nut for cotter pin			2			
37	Washer for nut (spring)			2			

