

SERVICE PARTS LIST

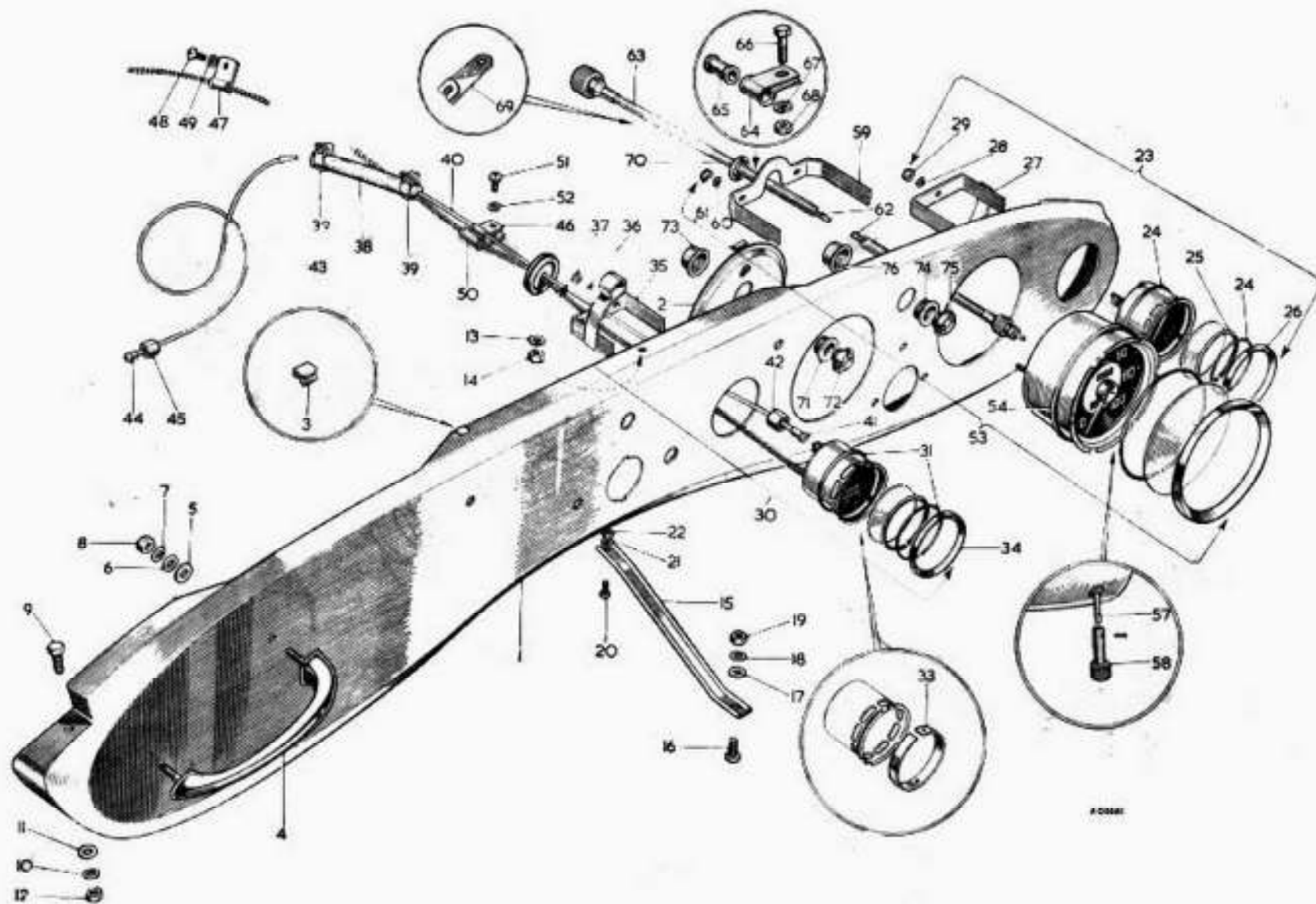
THE AUSTIN-HEALEY SPRITE

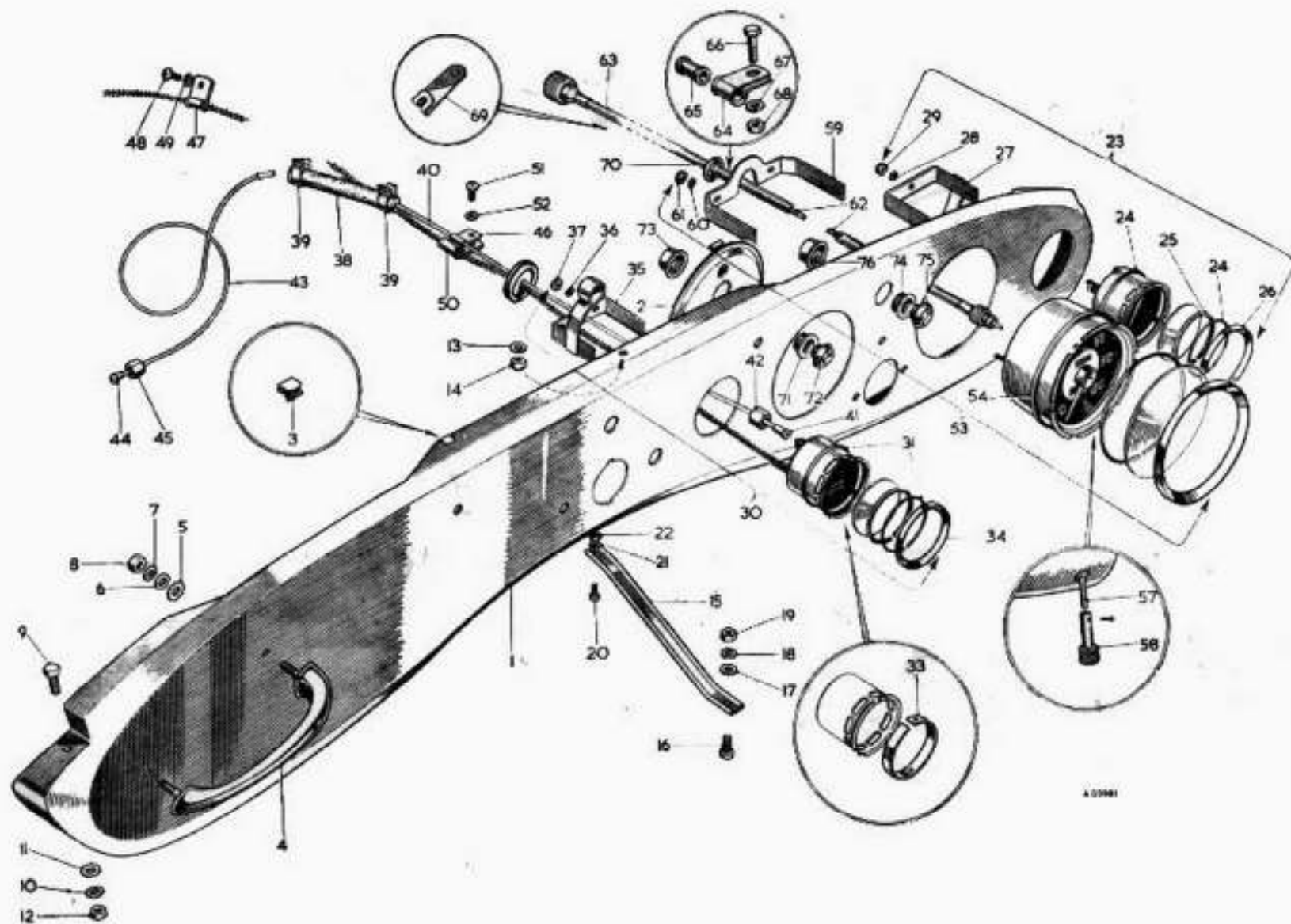
Item No.	DESCRIPTION	Commencing (C) 501		Qty. per Veh.	MODIFICATIONS		REMARKS
		Part Number	Illus. No.		New Part Number	Change Point	
FASCIA AND INSTRUMENTS							
1	Panel—fascia	RHD	14A4656	1	1		
2	Panel—fascia	LHD	14A4657	1	1		
3	Plate assembly—blanking		14A4744	2	1		Not required when tachometer is fitted
4	Clip—trim		14A4497	8	24		
5	Grab-handle		14B1729	4	1		
6	Washer for handle—large (plain)		PWZ204	5	2		
7	Washer for handle—small (plain)		PWZ104	8	2		
8	Washer for handle (spring)		LWZ204	7	2		
9	Nut—handle to fascia		FNZ104	8	2		
10	Screw—fascia to 'A' post		HZS0405	9	2		
11	Washer for fascia screw (spring)		LWZ204	10	2		
12	Washer for fascia screw (plain)		PWZ104	11	2		
13	Nut for screw		FNZ104	12	2		
14	Washer—fascia screw to dash (spring)		LWZ204	13	1		
15	Nut—fascia to dash		FNZ104	14	1		
16	Stay—bottom—fascia		14A4706	15	2		
17	Screw—stay to fascia		PMF0410	16	2		
18	Washer for stay screw (plain)		PWZ104	17	2		
19	Washer for stay screw (spring)		LWZ204	18	2		
20	Nut for screw		FNZ104	19	2		
21	Screw—stay to dash		PMZ0206	20	2		
22	Washer for stay screw (spring)		LWZ202	21	2		
23	Nut for screw		CNZ102	22	2		
24	Gauge—fuel		2A9069	23	1		
25	Glass		N.S.P.	1	1		Was 17H1068
26	Ring (rubber)		17H1642	24	2		
27	Tube (rubber)		17H1821	25	1		
28	Bezel		AJH5182	26	1		
29	Strap—instrument fixing		17H1822	27	1		
30	Washer for thumb nut (spring)		27H987	28	1		
31	Nut—thumb		17H982	29	1		

SERVICE PARTS LIST

THE AUSTIN-HEALEY SPRITE

Item No.	DESCRIPTION	Commencing (C) 501		Qty. per Veh.	MODIFICATIONS		REMARKS
		Part Number	Illus. No.		New Part Number	Change Point	
	Fascia and Instruments—continued						
1	Gauge—combined oil pressure and radiator thermometer	2A9070	30	1			Was 17H1068
2	Glass	N.S.P.		1			
3	Ring (rubber)	17H1642	81	2			
4	Grommet	N.S.P.		1			Was 17H1479
5	Strip—window	17H1481	88	1			
6	Bezel	AJH5182	84	1			
7	Strap—instrument fixing	17H1489	85	1			
8	Washer for thumb nut (spring)	27H387	86	2			
9	Nut—thumb	17H992	37	2			
10	Pipe—flexible	ACA5420	38	1			
11	Clip—flexible pipe	3H688	89	2			
12	Pipe—gauge to flexible pipe	2A5635	40	1			
13	Pipe—gauge to flexible pipe	2A5640		1			
14	Union	51K2824	41	1			
15	Nut	11B2087	42	1			
16	Pipe—engine to flexible pipe	2A5637	43	1			
17	Nipple	ACA5422	44	1			
18	Nut	ACA5421	45	1			
19	Clip—oil gauge pipe to R.H. footwell	1C168	46	1			
20	Clip—radiator thermometer capillary to R.H. front wheel arch inner	PCR0907	47	2			
21	Screw—capillary clip to wheel arch inner	FMZ0906	48	2			
22	Washer for capillary clip screw (spring)	LWZ293	49	2			
23	Clip—radiator thermometer capillary to R.H. footwell	PCR0907	50	2			
24	Screw—capillary clip to footwell	PMZ0906	51	1			
25	Washer for capillary clip screw (spring)	LWZ293	52	2			
26	Speedometer (miles)	2A9067	53	1			
27	Speedometer (kilometres)	2A9077		1			
28	Glass	N.S.P.		1			Was AJH5177
29	Ring (rubber)	AJH5178	54	1			Was 27H406
30	Ring—clip	N.S.P.		1			Was 27H397
31	Bezel	N.S.P.		1			
32	Spindle—trip setting	17H1478	57	1			
33	Knob—trip spindle	AJH5179	58	1			
34	Strap—speedometer fixing	AJH5176	59	1			Part No. change. Was 27H420
35	Washer for thumb nut (spring)	27H387	60	2			
36	Nut—thumb	17H1804	61	2			





SERVICE PARTS LIST

THE AUSTIN-HEALEY SPRITE

Item No.	DESCRIPTION	Commencing (C) 501		Qty per Veh.	MODIFICATIONS		REMARKS
		Part Number	Illus. No.		New Part Number	Change Point	
	Facia and Instruments—continued						
1	Cable assembly—speedometer	RHD	1H9040	1			
2	Cable (inner)		17H844	02			
3	Cable (outer)		17H1406	02			
4	Cable assembly—speedometer	LHD	2A9039	1	1H9047] Com. (C) 3089	
5	Cable (inner)		17H849	1	17H843		
6	Cable (outer)		17H690	1	17H1669		
7	Clip—speedometer cable to bulkhead		PCR0700	04			
8	Sleeve for clip (rubber)		ACF16529	05			
9	Screw—clip to bulkhead	RHD	HZS0408	06			
10	Washer for screw (spring)		LWZ204	07			
11	Nut for screw		FNZ104	08			
12	Clip—speedometer cable		1H9132	09			
13	Grommet—speedometer cable through footwell		RFN805	70			
14	Lamp—headlamp beam warning		27H5562	1			Not required when tachometer is fitted
15	Body—lamp		27H5565	71	1		
16	Cover and window (Red)		27H5566	72	1		
17	Nut for body		27H5564	73	1		
18	Lamp—flasher warning		27H5596	1			
19	Body—lamp		27H5565	74	1		
20	Cover and window (Green)		27H5597	75	1		
21	Nut for body		27H5564	76	1		