

SERVICE PARTS LIST

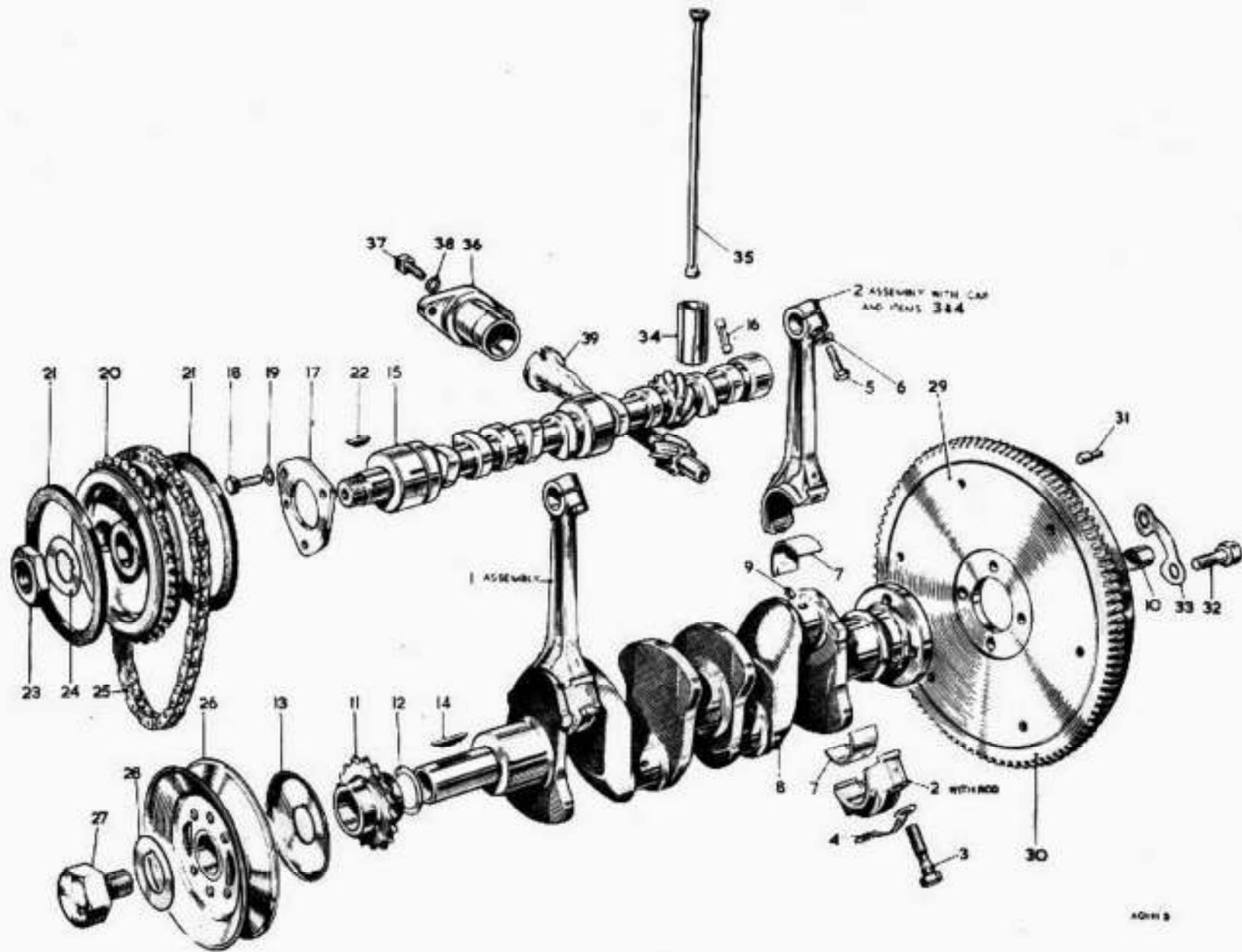
THE AUSTIN-HEALEY SPRITE

Item No.	DESCRIPTION	Commencing		Qty	MODIFICATIONS		REMARKS
		Blk P	HLF		New Part Number	Change Point	
		Part Number	Illus No	per set			
	<b>ENGINE</b>						
	<b>ENGINE UNIT</b>						
1	Stripped engine unit	8010		1			
2	Half-engine	26085		1			
3	Block assembly—cylinder	26084	1	1			
4	Plug—oil sck	2K8190	2	4			
5	Plug—oil relief valve passage	2K1945	8	2			
6	Plug—oil gallery	2K8028	4	2			
7	Restrictor—camshaft bearing oil feed	1A1964	5	1			
8	Stud—cylinder head	51K254	6	1			
9	Stud—cylinder head (long)	51K255	7	4			
10	Stud—cylinder head (short)	51K256	8	4			
11	Stud—fuel pump	58K525	9	2			
12	Cap—main bearing (front)	N.S.P.		1			
13	Cap—main bearing (centre)	N.S.P.		1			
14	Cap—main bearing (rear)	N.S.P.		1			
15	Cap—rear main bearing cap (screwed)	2K4008	10	1		Fin. (E) 9C-H1108	
16	Cap—main bearing cap	2A58	11	6			
17	Drum—oil relief valve	6K927	12	6			
18	Drum—oil relief valve	2A54	18	6			
19	Pin—oil relief valve	N.S.P.		1			
20	Pin—oil relief valve	2A197	14	1			
21	Pin—oil relief valve	58K1045	15	8	58K1028		58K1045 not available. Use 58K1028
22	Pin—oil relief valve	2A52	16	1			
23	Bearing—main (standard)	802222	17	1 set			
24	Bearing—main (standard)	1A1716	18	2			
25	Washer—main bearing (standard)	1A1717	19	2			
26	Drain pipe—rear main bearing cap	2A258	20	1		Fin. (E) 9C-H1108	
27	<b>Piston assembly (standard)</b>	80687	21	4			
28	Ring—compression (plain)	2A755	22	4	2A755/2		
29	Ring—compression (tapered)	2A986	23	8			
30	Ring—scraper	2A687	24	4			
31	Pin—gudgeon	2A887	25	4			
	<b>FRONT MOUNTING PLATE</b>						
32	Plate—engine mounting—front	2A125	26	1			
33	Joint for engine front mounting plate	2A126	27	1			
34	Screw—mounting plate to crankcase	HZ50005	28	2			
35	Washer for screw (spring)	LU2808	29	2			
36	Screw—mounting plate to bearing cap	58K2016	30	2			
37	Plate for screw (lock)	6K881	31	1			

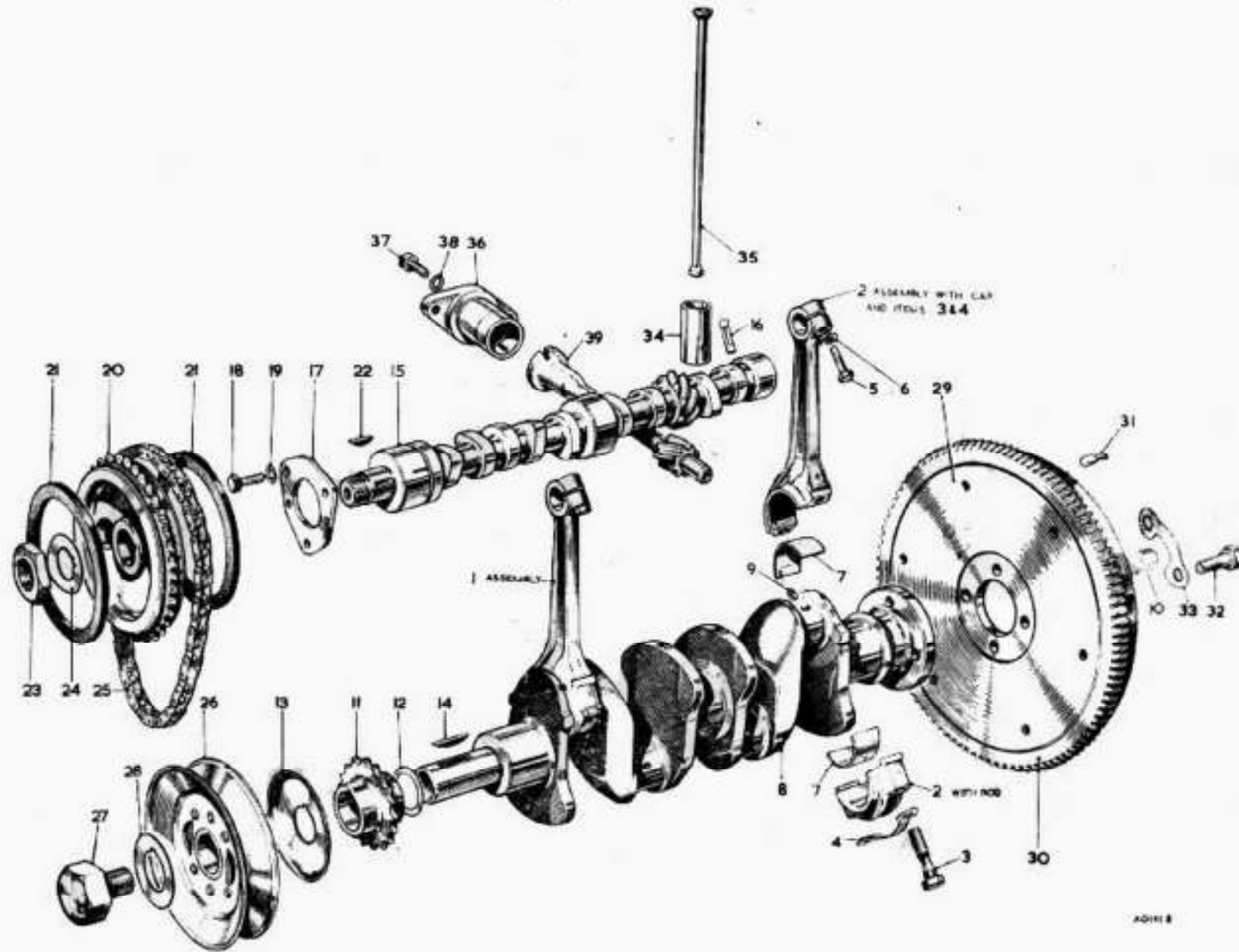
**SERVICE PARTS LIST**

**THE AUSTIN-HEALEY SPRITE**

Item No.	DESCRIPTION	Commencing (E) 9C-U-H101		Qty. per Veh.	MODIFICATIONS		REMARKS
		Part Number	Illus. No.		New Part Number	Change Point	
	<b>CONNECTING RODS—BEARING</b>						
1	Connecting rod and cap for Nos. 1 and 3 cylinders	2A856	1	2			
2	Connecting rod and cap for Nos. 2 and 4 cylinders	2A854	2	2			
3	Screw for cap	2A659	3	8			
4	Washer for screw (lock)	2A060	4	4			
5	Screw—clamping	51K1382	5	4			
6	Washer for screw (spring)	LWN305	6	4			
7	Bearing for connecting rod—big-end (standard)	8Q2198	7	1 set			
	<b>CRANKSHAFT AND GEAR</b>						
8	Crankshaft with oil restrictors and bush	2A828	8	1			Alternative to 2A830
9	Restrictor—oil	1G1167	9	4			
10	Bush for 1st motion shaft	1A1539	10	1			
11	Crankshaft (with bush)	2A830		1			Alternative to 2A828
12	Bush for 1st motion shaft	1A1539		1			
13	Gear for crankshaft	2A76	11	1			
14	Washer—packing	6K628	12	1			
15	Thrower—oil (front)	2A77	13	1	2A1015	Com. (E) 9C-H87647	
16	Key for gear and crankshaft	6K886	14	1			
	<b>CAMSHAFT</b>						
17	Camshaft with driving pin for oil pump	2A297	15	1			] Alternatives
18	Camshaft with driving pin for oil pump	2A571		1			
19	Pin for oil pump—driving	2A299	16	1			
20	Plate—locating	2A84	17	1			
21	Screw—plate to crankcase	HNS0406	18	3			
22	Washer for screw (shakeproof)	LWN404	19	3			
23	Gear for camshaft (with tensioner rings)	2A85	20	1			
24	Ring—tensioner	8C549	21	2			
25	Key for gear	WKN305	22	1			
26	Nut for gear	6K629	23	1			
27	Washer for nut (lock)	2A759	24	1			
28	Chain for camshaft drive	3H2127	25	1			
	<b>CRANKSHAFT PULLEY</b>						
29	Pulley for crankshaft	2A566	26	1			
30	Bolt—crankshaft pulley retaining	AEA812	27	1			
31	Washer for retaining bolt (lock)	1G1319	28	1			



ADH 3



AD111 B

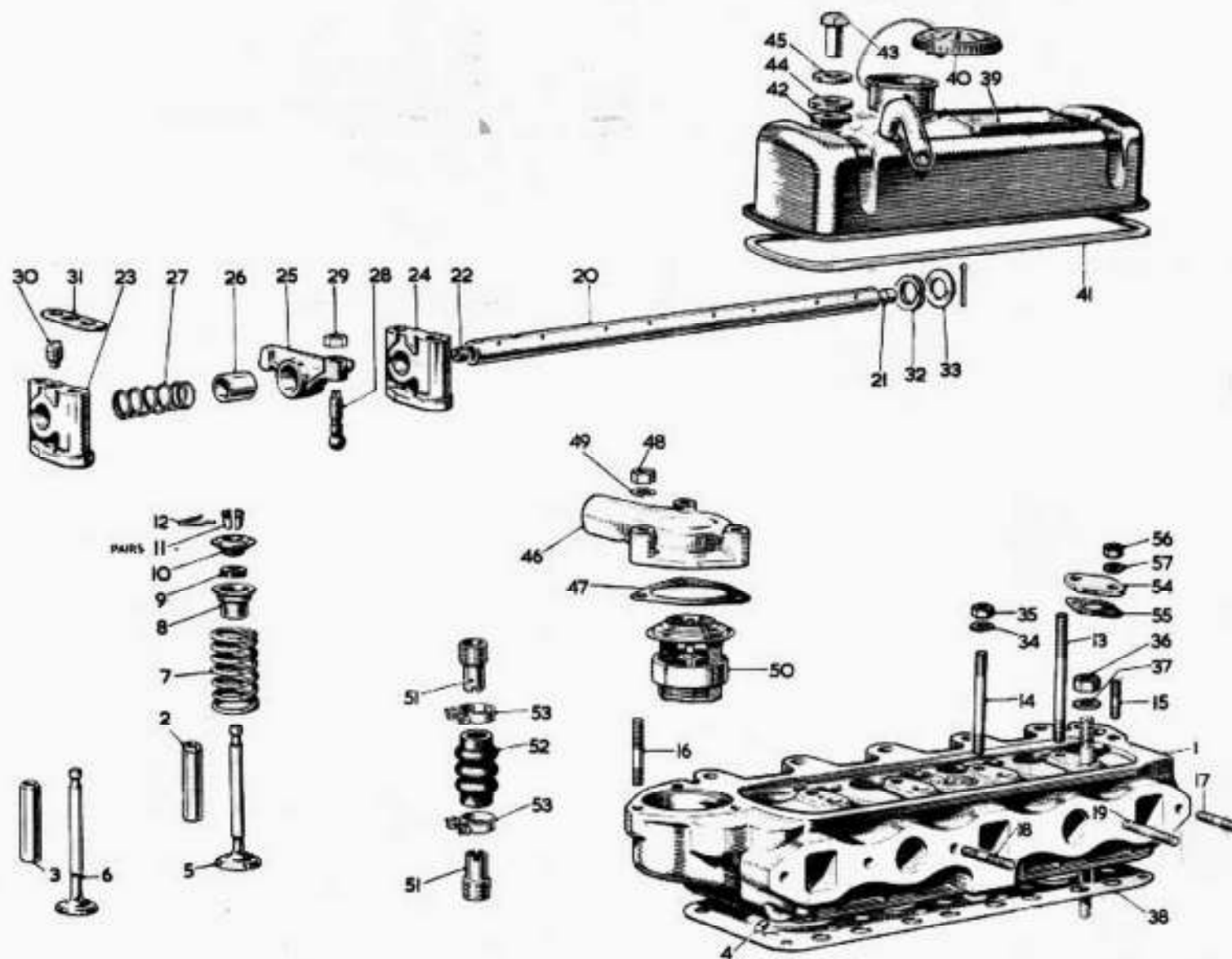


SERVICE PARTS LIST

THE AUSTIN-HEALEY SPRITE

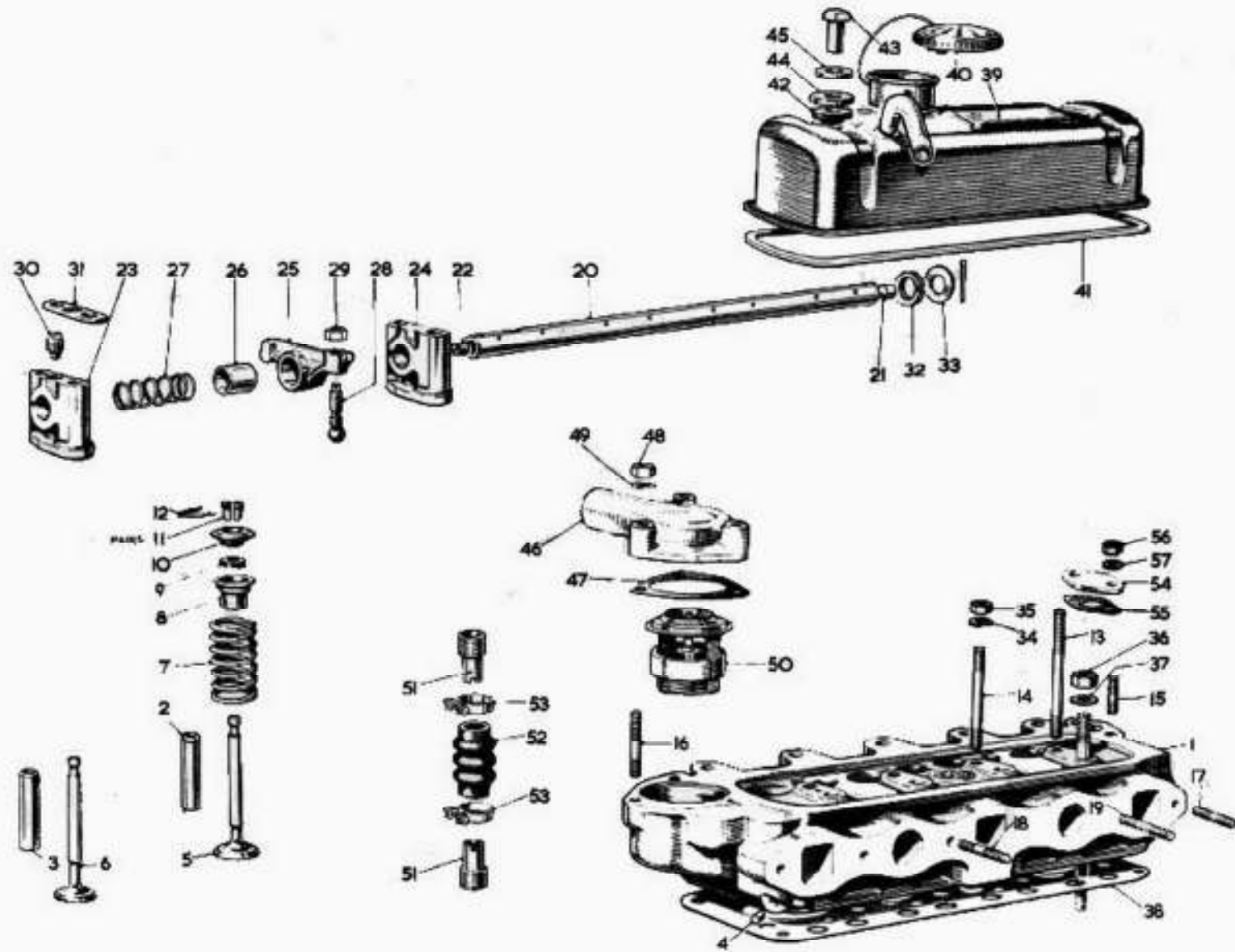
Item No.	DESCRIPTION	Commencing (E) 9C-U-H101		MODIFICATIONS		REMARKS
		Part Number	Illus. No.	Qty. per Veh.	New Part Number	
<b>FLYWHEEL</b>						
1	Flywheel with starter ring and dowels	2A516	29	1	12A182	] Com. (E) 9C-H4834
2	Starter ring	2A378	30	1	12A183	
3	Dowel—clutch to flywheel	1G2984	31	2		
4	Flywheel with starter ring and dowels			1	AEA594	] Com. (E) 9C-H48347
5	Starter ring			1	AEA596	
6	Dowel—clutch to flywheel			2	1G2984	Alternative to 12A183
7	Screw—flywheel to crankshaft	6K680	32	4		
8	Washer for screw (lock)	2K7810	33	2		
<b>TAPPETS AND PUSH-RODS</b>						
9	Tappet (standard)	2A13	34	8		
10	Push-rod	2A14	35	8		
<b>DISTRIBUTOR HOUSING—SPINDLE</b>						
11	Housing for distributor	2A612	36	1		
12	Screw—housing to crankcase	58K2017	37	1	HZ50406	For 58K2017 use HZ50406 for this application
13	Washer for screw (shakeproof)	LWN404	38	1		
14	Saddle for distributor—driving	2A130	39	1		] Alternatives
15	Spindle for distributor—driving	2A847		1		

Item No.	DESCRIPTION	Commoning (E) 9C-U-11101		Qty per Veh	MODIFICATIONS		REMARKS
		Part Number	Illus. No.		New Part Number	Change Point	
<b>CYLINDER HEAD—VALVES—GUIDES—SPRINGS—ROCKERS</b>							
1	Cylinder head with valve assembly	2A086		1			
2	Cylinder head with valve guides—assembly	2A013	1	1			
3	Guide—inlet valve (standard)	2A608	2	4			
4	Guide—exhaust valve (standard)	2A608	3	4			
5	Plug for oil hole	6K086	4	1			
6	Valve—inlet	2A5	5	4	2A877	Com. (E) 9C-H1397	AEA358 not available. Use AEA434
7	Valve—exhaust	AEA327	6	4	AEA358 AEA434		
8	Spring—valve	AEA311	7	8			
9	Shroud and oil seal retainer for valve guide	2A544	8	8		Fin. (E) 9C-H1396	
10	Oil seal for valves	2A9	9	8			
11	Shroud for valve guide				2A545	Com. (E) H-11397	
12	Ring—valve packing (rubber)				2A879		
13	Cup—valve spring	2A10	10	8	2A880		
14	Cotter—valve	2A11	11	16			
15	Circlip for valve cotter	2A12	12	8			
16	Stud for rocker bracket—long	51K885	13	2			
17	Stud for rocker bracket—short	51K533	14	2	FHS0322 51K1478	Com. (E) 9C-H89695 Com. (E) 9C-H11530	
18	Stud for cover plate	58K492	15	2			
19	Stud for water outlet elbow	58K530	16	3			
20	Stud for exhaust manifold (short)	58K149	17	2		Fin. (E) 9C-H30904	
21	Stud for exhaust and inlet manifold (medium)	58K187	18	2/4			Quantity increased at (E) 89895
22	Stud for exhaust and inlet manifold (long)	FLS2518	19	2	FHS2518	Fin. (E) 9C-H30904	Part No. change FLS2518 was 58K488 FLS2518 not available. Use FHS2518
23	Shaft assembly—valve rocker	2A15		1			
24	Shaft—valve rocker—plugged	2A16	20	1			
25	Plug for rocker shaft (plain)	6K74	21	1			
26	Plug for rocker shaft (screwed)	2K4906	22	1			
27	Bracket for rocker shaft (tapped)	2A92	23	1			
28	Bracket for rocker shaft (plain)	2A28	24	3			
29	Rocker for valve—bushed	2A533	25	8			] Alternatives. Interchangeable in sets only
30	Rocker for valve—bushed	2A984		8			
31	Bush for valve rocker	2A21	26	8			
32	Spring—rocker spring	6K666	27	8			
33	Screw—tapped adjusting	2A583	28	8			
34	Locknut for adjusting screw	6R654	29	8			
35	Screw for rocker shaft locating	2A268	30	1			
36	Plate for rocker shaft locating	2A513	31	4			
37	Washer for rocker shaft (spring)	2A18	32	2			
38	Washer for rocker shaft	6K533	33	2			



A0301A





A0101A

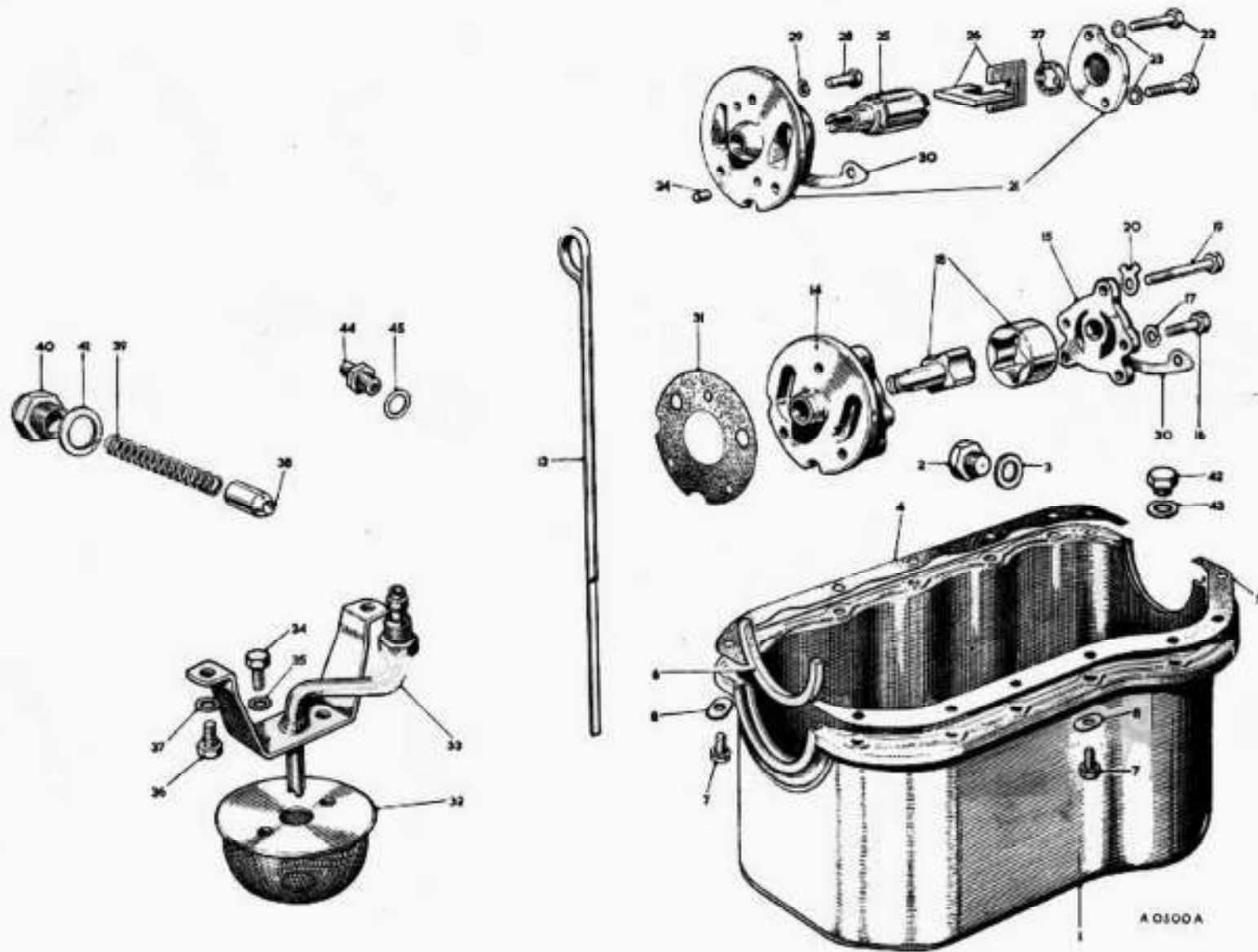
SERVICE PARTS LIST

THE AUSTIN-HEALEY SPRITE

Item No.	DESCRIPTION	Commencing (E) 9C-U-11101		Qty. per Veh.	MODIFICATIONS		REMARKS
		Part Number	Illus. No.		New Part Number	Change Point	
	<b>Cylinder Head—Valves—Guides—Springs—Rockers</b> <i>continued</i>						
1	Washer for stud (spring)	LWN205	34	4			
2	Nut for stud	FNN105	35	4			
3	Nut for cylinder head stud	58K871	36	9			
4	Washer for cylinder head stud	2K1204	37	5			
5	Joint for cylinder head	2A889	38	1	2A985 2A971	Com. (E) 9C-H1109 Com. (E) 9C-H6788	
	<b>VALVE ROCKER COVER—OIL FILLER</b>						
6	<b>Cover—valve rocker—with filler cap and cable</b>	AEA338	39	1			
7	Cap and cable for oil filler	8G618	40	1			
8	Joint for cover	2A895	41	1	] 12A14		2A895 not available. Use 12A14 2A936 alternative to 2A895. For use in tropical climate. Not available. Use 12A14
9	Joint for cover	2A936	42	1			
10	Bush for cover (rubber)	2K6568	43	2			
11	Nut for cover	2A130	44	2			
12	Distance piece for nut	1H9905	45	2			
13	Washer for nut (cup)	1A2156	46	2			
	<b>WATER OUTLET ELBOW—THERMOSTAT—COVER-PLATE</b>						
14	<b>Elbow—water outlet</b>	AEA305	46	1			
15	Joint washer—elbow to cylinder head	1A2149	47	1			
16	Nut for stud—elbow to cylinder head	FNZ105	48	3			
17	Washer for nut (spring)	LWN205	49	3			
18	<b>Thermostat</b>	11G291	50	1	11K399	Com. (E) 9C-H1073	
19	Adaptor—by pass	2A243	51	1			
20	Connection—by pass (rubber)	2A242	52	1			
21	Clip for connection	3H2963	53	2			
22	<b>Plate—cover—for heater tap hole in cylinder head</b>	2A180	54	1			
23	Joint washer—plate to cylinder head	2A179	55	1			
24	Nut for cover stud	FNN104	56	2			
25	Washer for nut (spring)	LWN304	57	2			

Item No.	DESCRIPTION	Commencing (E) 9C-U-11101			MODIFICATIONS		REMARKS
		Part Number	Illus. No.	Qty. per Veh.	New Part Number	Change Point	
<b>REAR MOUNTING PLATE</b>							
1	Plate—engine mounting (rear)	2A300	1	1			] Alternatives
2	Plate—engine mounting (rear)	2A589		1			
3	Joint for mounting plate	2A128	2	1			
4	Dowel for mounting plate (top)	1K52	3	1			
5	Dowel for mounting plate (bottom)	1G752	4	1			
6	Screw—mounting plate to crankcase	HZ50505	5	7			
7	Washer for screw (spring)	LWZ805	6	7			
<b>CYLINDER FRONT AND SIDE COVERS</b>							
8	Cover—front	2A552	7	1	2A937	Com. (E) 9C-H37647	
9	Ring—felt	2K7140	3	1		Fin. (E) 9C-H87646	
10	Seal—oil			1	2A989	Com. (E) 9C-H87647	
11	Joint for front cover	1A2908	9	1			
12	Screw—front cover to mounting plate	HZ50408	10	6			
13	Washer for screw (plain)	2K6197	11	6			
14	Washer for screw (spring)	LWN204	12	6			
15	Screw—cover to mounting plate and crankcase	HZ50505	13	4			
16	Washer for screw (plain)	2K7440	14	4			
17	Washer for screw (spring)	LWZ805	15	4			
18	Cover for cylinder side—front (with elbow)	1A2189	16	1			
19	Cover for cylinder side—rear	2A770	17	1			
20	Joint for cover	1A2203	18	2	12A24		1A2203 not available. Use 12A24
21	Screw for covers	HBZ0515	19	2			
22	Washer for screw	2K4058	20	2			
23	Pipe—crankcase vent (with clip)	2A118	21	1			
24	Screw for vent pipe clip	HZ50505	22	1			
25	Washer for screw (spring)	LWZ205	23	1			
<b>CYLINDER DRAIN TAP</b>							
26	Tap—drain	2A816	24	1		Fin. (E) 9C-H6858	] Alternatives ] Not available. Use 3H576
27	Tap—drain	2A817		1			
28	Tap—drain			1	3H576		
29	Washer for tap (fibre)			1	2K4054	Com. (E) 9C-H6859	] Alternatives ] Prior to (E) 9C-H6859 supply also 1 off 2K4054 or 1 off 2K4075
30	Washer for tap (fibre)			1	2K4075		







**SERVICE PARTS LIST**

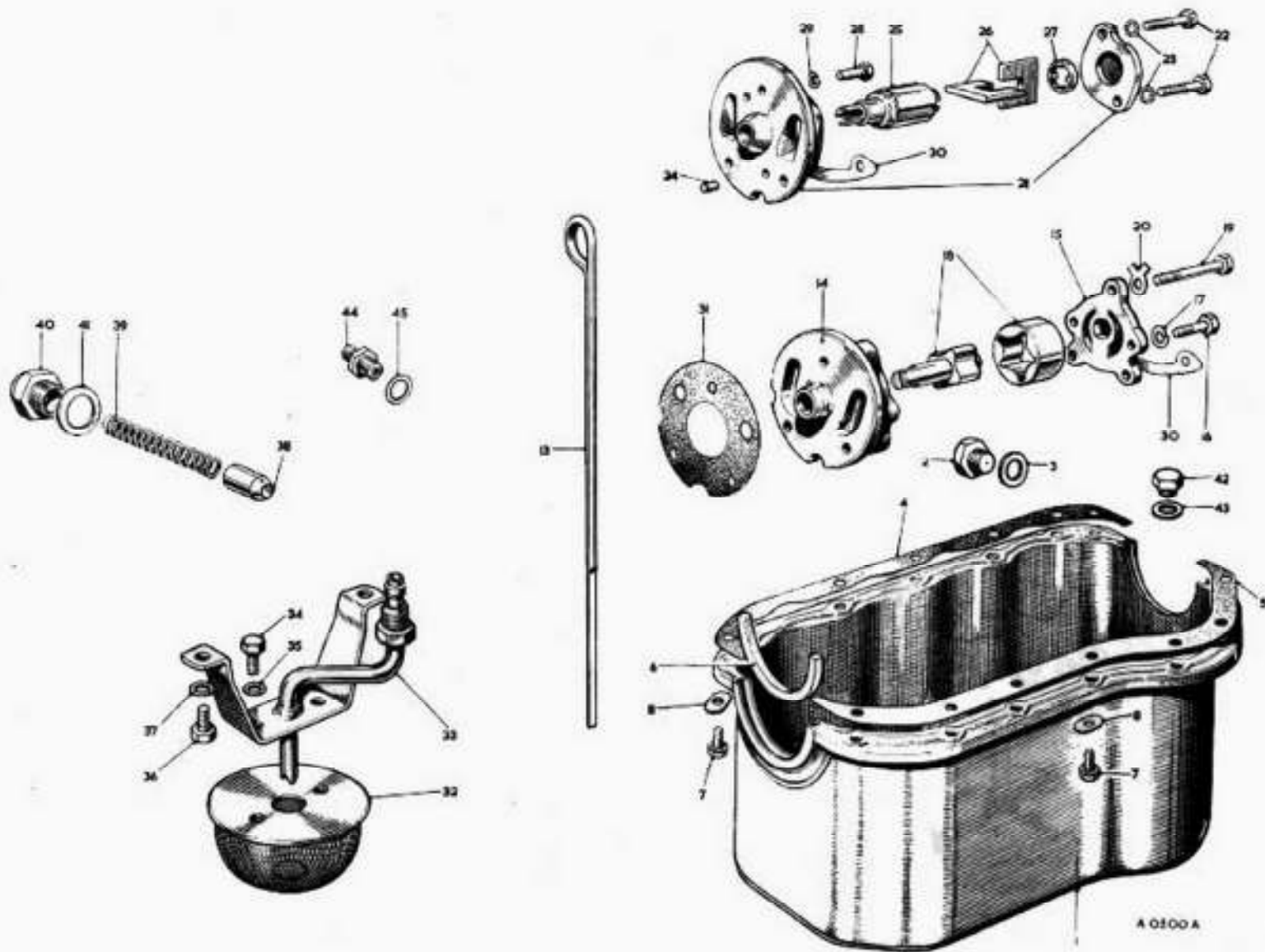
**THE AUSTIN-HEALEY SPRITE**

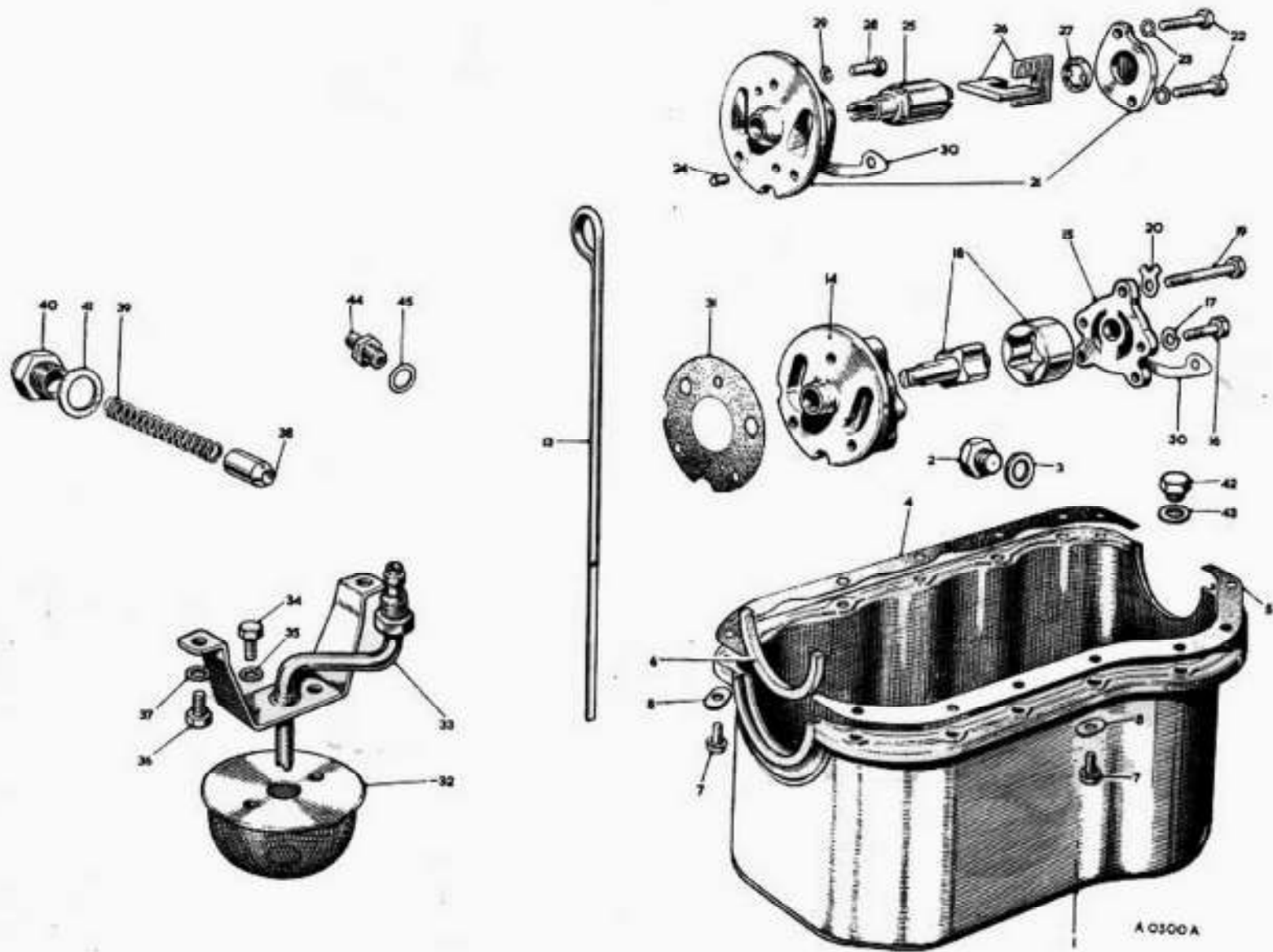
Item No.	DESCRIPTION	Commencing (E) 9C-U-H101		Qty. per Veh.	MODIFICATIONS		REMARKS
		Part Number	Illus. No.		New Part Number	Change Point	
	<b>SUMP—DIPPER ROD</b>						
1	Sump—oil	2A704	1	1			
2	Plug for sump—drain	2F4249	2	1			] Alternatives
3	Plug for sump—drain	2A880		1			
4	Washer for plug (copper)	6K688	3	1			
5	Joint—sump to crankcase (R.H.)	2A711	4	1	12A20		2A711 not available. Use 12A20
6	Joint—sump to crankcase (L.H.)	2A98	5	1	12A19		2A98 not available. Use 12A19
7	Seal—oil—main bearing cap	2A280	6	2			
8	Screw with captive washer	6K689	7	14			
9	Washer for screw	2K3197	8	14			
10	Dipper rod	2A294	13	1			

SERVICE PARTS LIST

THE AUSTIN-HEALEY SPRITE

Item No.	DESCRIPTION	Commencing (E) 9C-U-H101		Qty. per Veh.	MODIFICATIONS		REMARKS
		Part Number	Illus. No.		New Part Number	Change Point	
	<b>OIL PUMP—PIPE—STRAINER—RELEASE VALVE—PRESSURE UNION</b>						
1	Oil pump (Hobourn)	2A341		1			Not available. Use 2A962
2	Body	7H1649	14	1			
3	Cover	7H1650	15	1			
4	Screw—cover to body	HNS0400	16	2			Part No. change. Was 51K907
5	Washer for screw (spring)	LWN204	17	2			
6	Shaft—driving (with inner and outer rotors)	17H1965	18	1			Part No. change. Was C4-90
7	Oil pump (Hobourn)	2A962		1			Alternative
8	Body	17H1962		1			
9	Cover (countersunk hole)	17H1968		1			
10	Cover (plain hole)			1	17H6427	Finishing No. not available Commencing No. not available	
11	Shaft—driving—with inner and outer rotors	17H1965		1			
12	Screw—cover to body (2 B.A. 1/4" [12.7 mm.] countersunk)	AJD4205/Z		1		Finishing No. not available	
13	Screw—cover to body (2 B.A. 1/4" [12.7 mm.] cheesehead)			1	AJD3204/Z	Commencing No. not available	
14	Dowel	17H1964		2			
15	Screw—pump to crankcase	HBN0414	19	3			
16	Washer for screw (lock)	2A389	20	1			
17	Oil pump (Burman)	2A819		1			Alternative
18	Body and cover assembly	8G8181	21	1			
19	Screw—cover to body	7H6795	22	2			
20	Washer for set screw (shakeproof)	7H6796	23	2			
21	Dowel	7H6813	24	2			
22	Rotor	7H6810	25	1			
23	Vane for rotor	7H6807	26	2			
24	Sleeve for rotor	7H6808	27	1			
25	Screw—pump to crankcase	HZ50405	28	3			
26	Washer for set screw (spring)	LWN204	29	1			
27	Oil pump (concentric)	2A813		1			Not available. Use 12A107
28	Oil pump (concentric)	12A107		1			] Alternatives
29	Oil pump (concentric)	12A188		1			
30	Screw—pump to crankcase	HBN0414		3			
31	Washer for screw (lock)	2A389		1			
32	Plate for set screws for all pumps (lock)	2A522	30	1			
33	Joint washer for oil pump (all types)	2A494	31	1			







SERVICE PARTS LIST

THE AUSTIN-HEALEY SPRITE

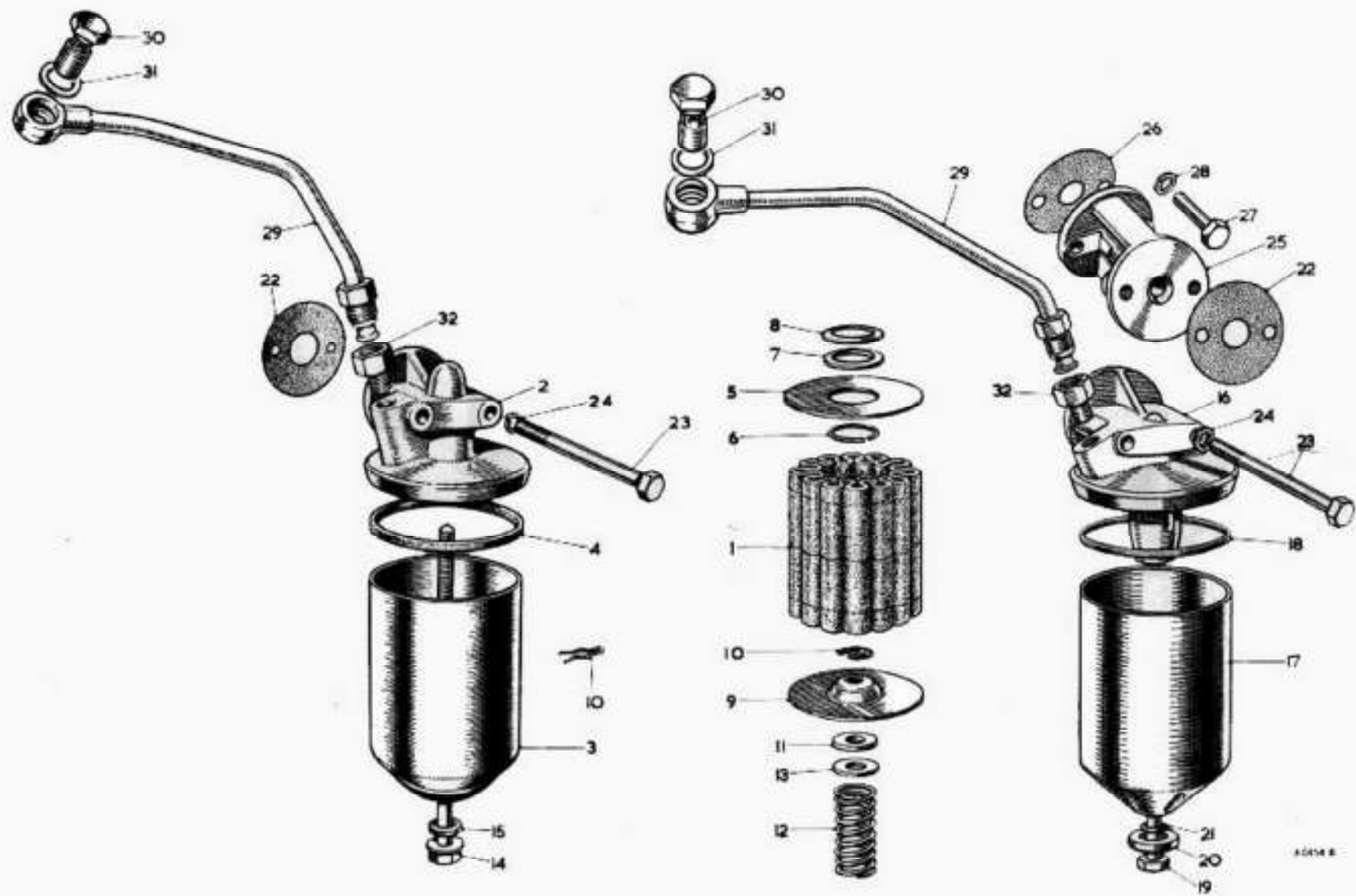
Item No.	DESCRIPTION	Commencing (E) 9C-U-H101		Qty. per Veh.	MODIFICATIONS		REMARKS
		Part Number	Illus. No.		New Part Number	Change Point	
	Oil Pump—Pipe—Strainer—Release Valve—Pressure Union—continued						
1	Strainer—oil	2A668	32	1			
2	Pipe with oil strainer bracket—suction	2A572	33	1	2A957	Com. (E) 9C-H273	
3	Screw—bracket to oil strainer	HNS0404	34	2			
4	Washer for screw (shakeproof)	LWN404	35	2			Part No. change. Was 2K8007 and LWN604
5	Screw—bracket to bearing cap	HNS0404	36	2			
6	Washer for screw (shakeproof)	LWN404	37	2			Part No. change. Was 2K8007 and LWN604
7	Valve—oil release	1G1452	38	1			
8	Spring for oil release valve	6K858	39	1			
9	Nut for oil release valve (cap)	1A2206	40	1			
10	Washer for cap nut	2K4982	41	2			
11	Plug—oil priming	2K4094	42	1			
12	Washer for plug (copper)	6K464	43	1			
13	Union—oil pressure	2A290	44	1			
14	Washer for union (fibre)	2K4956	45	1			



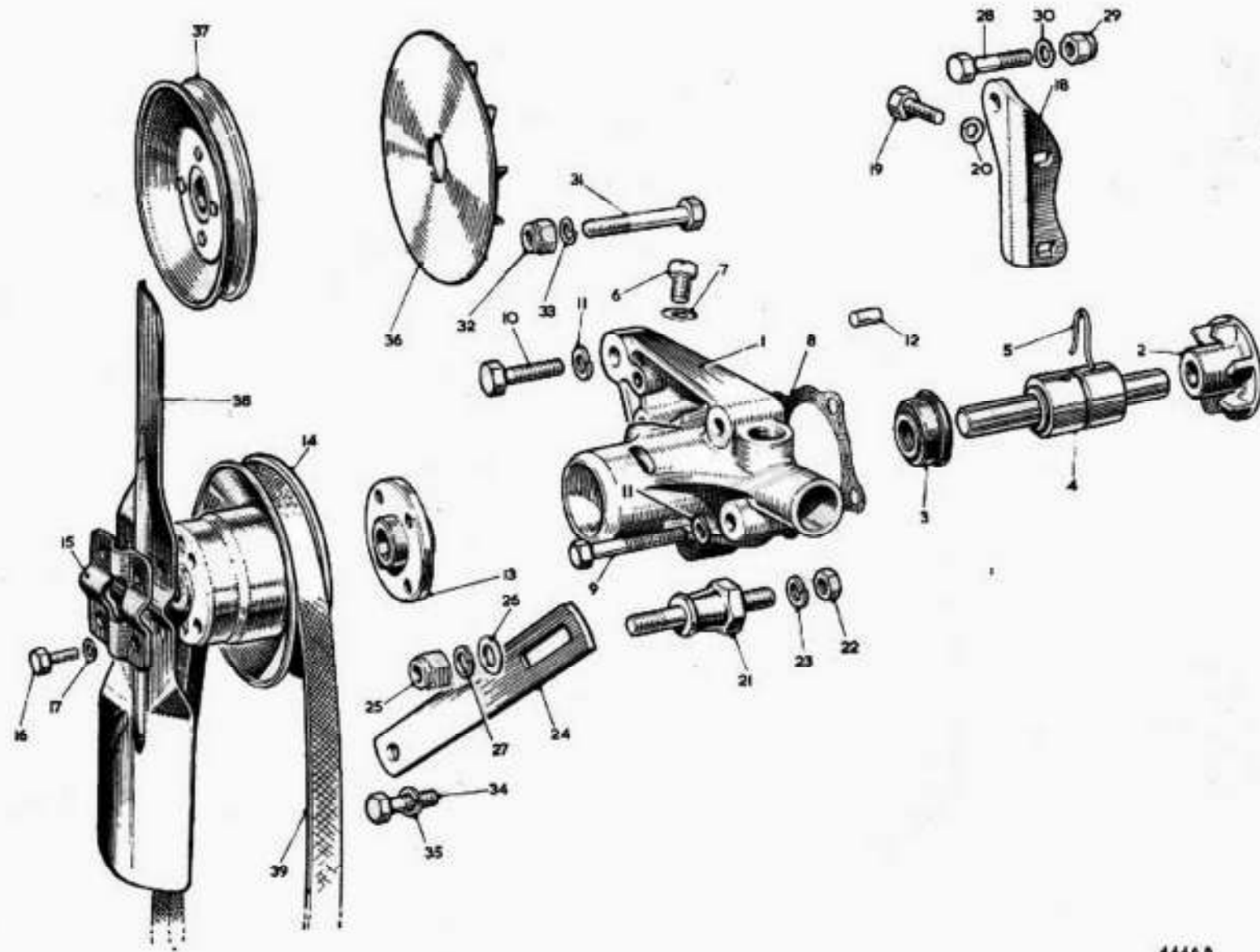
SERVICE PARTS LIST

THE AUSTIN-HEALEY SPRITE

Item No.	DESCRIPTION	Commencing (E) 9C-U-H101		MODIFICATIONS		REMARKS
		Part Number	Illus. No.	Qty. per Veh.	New Part Number	
	<b>EXTERNAL OIL FILTER—ADAPTOR—PIPE</b>					
1	Filter—oil (Tecalmit)	2A760		1		Alternative to 2A788
2	Element	8G684	1	1		
3	Head assembly	17H945	2	1		
4	Sump	17H944	3	1		
5	Seal—sump to head	17H4	4	1		
6	Plate—element clamp	7H147	5	1		
7	Circlip—plate to head	2A700	6	1		Part No. change. Was 7H157
8	Washer for clamp plate (felt)	7H1756	7	1		
9	Washer for clamp plate (dished)	7H1761	8	1		
10	Plate—pressure	17H942	9	1		
11	Circlip—plate to centre-bolt	7H1840	10	1		
12	Washer for pressure plate (felt)	7H1758	11	1		
13	Spring for pressure plate	7H1764	12	1		
14	Washer for spring	7H1765	13	1		
15	Bolt—centre	17H943	14	1		
16	Seal—bolt to sump	7H1759	15	1		
17	Filter—oil (Purolator)	2A788		1		Alternative to 2A760
18	Element	8G684	1	1		
19	Head assembly	17H1170	16	1		
20	Ball—relief valve	27H7406		1		
21	Spring—ball	87H859		1		
22	Seat—ball	87H860		1		
23	Sump	17H1168	17	1		
24	Seal—sump to head	17H1168	18	1		
25	Plate—clamping	17H1150	5	1		
26	Circlip—clamp plate to head	17H1187	6	1		
27	Gasket—clamp plate to head	17H1152	7	1		
28	Plate—pressure	17H1148	9	1		
29	Circlip—plate to centre-bolt	17H1476	10	1		Finishing-No. not available
30	Seal for pressure plate	7H28	11	1		
31	Spring for pressure plate	7H25	12	1		
32	Washer for spring	7H7658	13	1		
33	Bolt—centre	17H1174	19	1		
34	Collar for centre-bolt	17H1172	20	1		
35	Seal—O' section collar to sump	17H1173	21	1		
36	Joint washer—oil filter to adaptor	2A708	22	1		
37	Bolt—oil filter to adaptor	HC20628	23	2		
38	Washer for bolt (spring)	LW2206	24	2		
39	Adaptor for oil filter	AEA305	25	1		
40	Joint washer—adaptor to crankcase	2A708	26	1		
41	Screw—adaptor to crankcase	NCS0608	27	2		
42	Washer for screw (spring)	LWN206	28	2		
43	Pipe—oil—filter to crankcase	AEA313	29	1		
44	Screw for banjo union	2A715	30	1		
45	Washer for screw (copper)	2A787	31	2	AED172	Com. (E) 9C-H1008 2A787 not available. Use AED172
46	Connection	TCN206	32	1		



A6154 8



4446 B

SERVICE PARTS LIST

THE AUSTIN-HEALEY SPRITE

Item No.	DESCRIPTION	Commencing (E) 9C-U-H101		Qty. per Veh.	MODIFICATIONS		REMARKS
		Part Number	Illus. No.		New Part Number	Change Point	
	<b>WATER PUMP—FAN PULLEY</b>						
1	Pump assembly—water (less hub)	2A775		1			] 2A775 not available. Use 2A774
2	Pump assembly—water (with hub)			1			
3	Body	2A776	1	1			
4	Vane	2A664	2	1			
5	Seal	8G698	8	1			] Not available. Alternatives Use 8G698
6	Seal	8G697		1			
7	Bearing with spindle	2A777	4	1			
8	Wire—bearing locating	2A778	5	1			
9	Screw for lubricating point	53K1438	6	1			
10	Washer for screw ( fibre )	2K4974	7	1			
11	Hub for pulley	2A665	18	1			
12	Adaptor—by-pass	2A248		1			
13	Joint washer—pump body to crankcase	2A867	8	1			] Alternatives
14	Joint washer—pump body to crankcase	12A31		1			
15	Screw—pump to crankcase—long	HZS0515	9	2			
16	Screw—pump body to crankcase short	HZS0510	10	2			
17	Washer for screw (spring)	LWN305	11	4			
18	Dowel for water pump	2K6124	12	2			
19	<b>Pulley for fan and water pump</b>	2A301	14	1			
20	Stiffener for fan blade	2A803	15	1			
21	Screw—fan to pulley	HZS0405	16	4	HZS0406	Com. (E) 9C-H859	
22	Washer for screw (spring)	LWZ204	17	4			



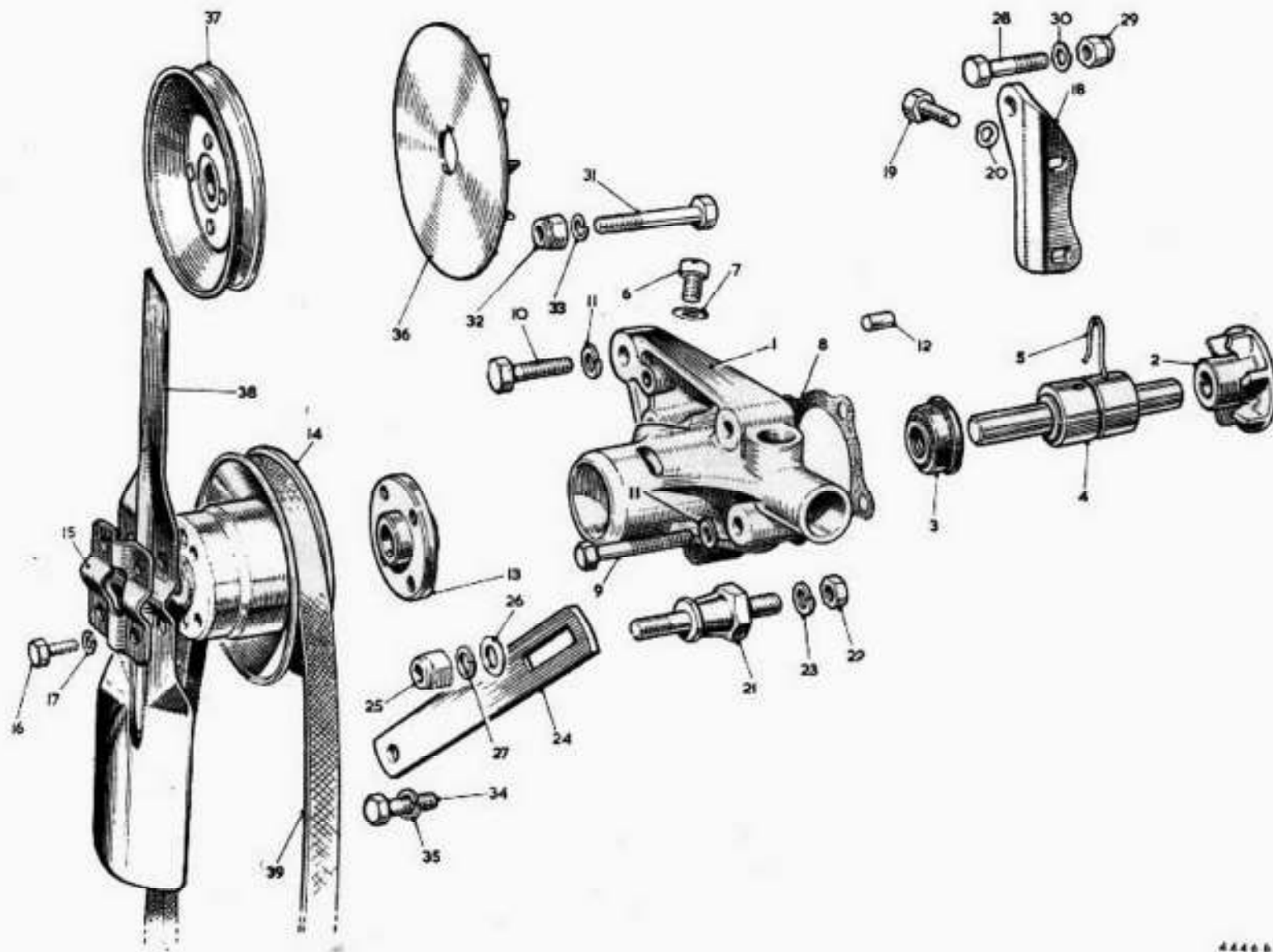
SERVICE PARTS LIST

THE AUSTIN-HEALEY SPRITE

Item No.	DESCRIPTION	Commencing (E) 9C-U-H101		Qty. per Veh.	MODIFICATIONS		REMARKS
		Part Number	Illus. No.		New Part Number	Change Point	
	<b>DYNAMO MOUNTING</b>						
1	Bracket for dynamo—rear	2A758	18	1			
2	Screw—bracket to crankcase	HZS0507	19	2			
3	Washer for set screw (spring)	LWZ305	20	2			
4	Pillar—dynamo adjusting link	2A128	21	1			
5	Nut for pillar	FNZ106	22	1			
6	Washer for pillar nut (spring)	LWZ306	23	1			
7	Link—dynamo adjusting	AEA325	24	1			
8	Nut—adjusting link	LNZ206	25	1			
9	Washer for adjusting link nut (plain)	2K9032	26	1			
10	Washer for adjusting link nut (spring)	LWZ306	27	1			
11	Bolt—dynamo to bracket	HZS0509	28	1			Part No. change. Was HBZ0509
12	Nut for bolt	LNZ205	29	1			
13	Washer for bolt (spring)	2K5319	30	1			
14	Bolt—dynamo to water pump	HRZ0513	31	1			
15	Nut for bolt	LNZ205	32	1			
16	Washer for bolt (spring)	LWZ305	33	1			
17	Screw—adjusting link to dynamo	3J12008	34	1			
18	Washer for screw (spring)	LWZ305	35	1			
19	Fan for dynamo	1G1783	36	1			
20	Pulley for dynamo	1H998	37	1			
	<b>FAN AND FAN BELT</b>						
21	Blade—fan	AEA301	38	1/2			
22	Belt for fan—wedge type	1G2716	39	1	AEA489	Com. (E) 9C-H34012	Quantity increased at (E) 9C-H859 For 1G2716 use AEA489 for this application
	<b>CYLINDER LINER</b>						
28	Liner for cylinder block	2A784		4			For repair purposes only

→ S/S 13H923





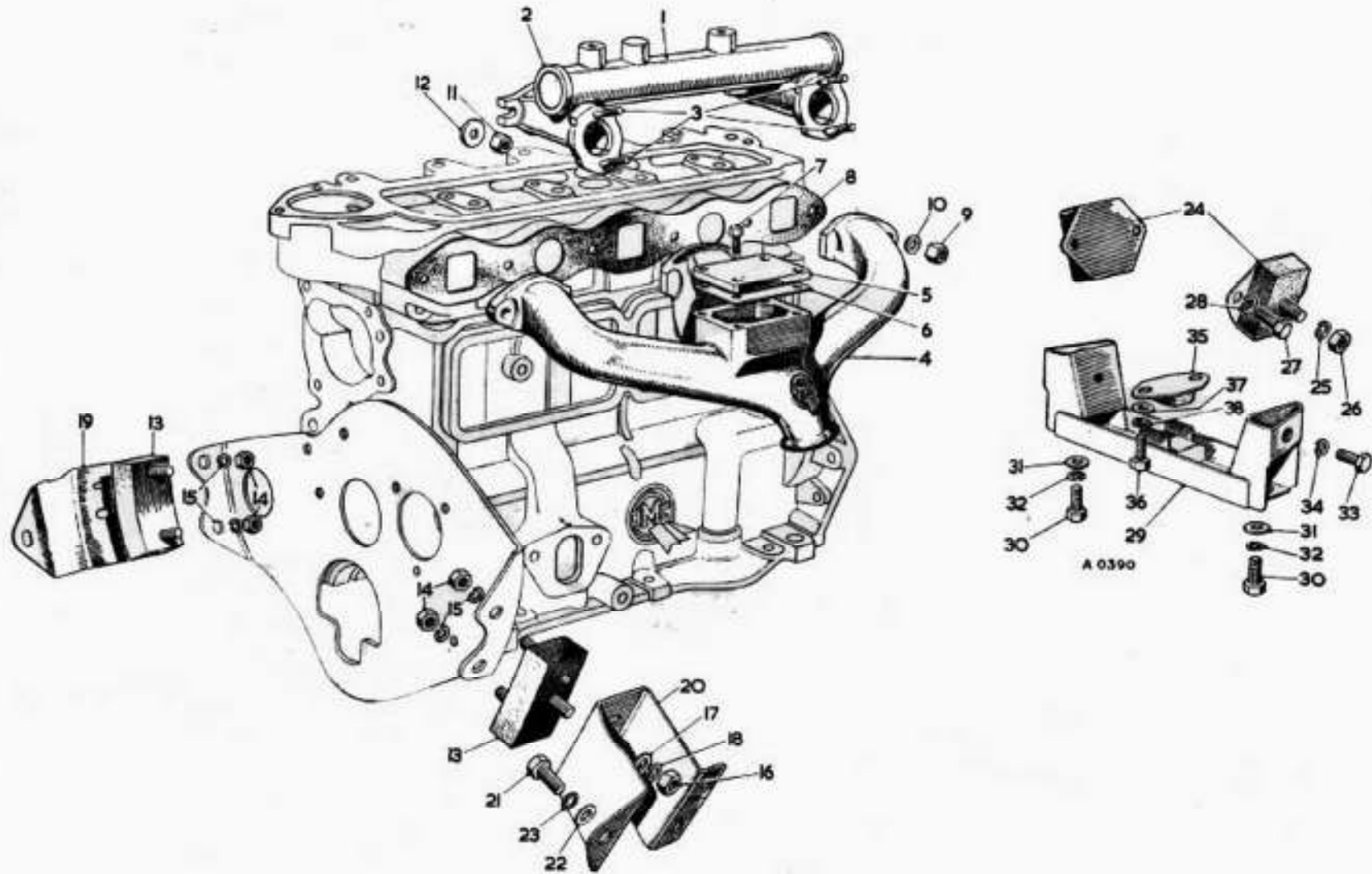
44466

SERVICE PARTS LIST

THE AUSTIN-HEALEY SPRITE

Item No.	DESCRIPTION	Commencing (S) 9C-U-H101		Qty. per Veh.	MODIFICATIONS		REMARKS
		Part Number	Illus. No.		New Part Number	Change Point	
<b>OVERSIZE AND UNDERSIZE COMPONENTS</b>							
1	Piston assembly (standard)	8G687		4			
2	Piston assembly (-010" [-254 mm.] O/S)	8G068710		4			
3	Piston assembly (-020" [-508 mm.] O/S)	8G068720		4			
4	Piston assembly (-030" [-762 mm.] O/S)	8G068730		4			
5	Piston assembly (-040" [-1-016 mm.] O/S)	8G068740		4			
6	Ring—compression—plain (standard)	2A755		4			
7	Ring—compression—plain (-010" [-254 mm.] O/S)	2A075510		4			
8	Ring—compression—plain (-020" [-508 mm.] O/S)	2A075520		4			
9	Ring—compression—plain (-030" [-762 mm.] O/S)	2A075530		4			
10	Ring—compression—plain (-040" [-1-016 mm.] O/S)	2A075540		4			
11	Ring—compression—tapered (standard)	2A686		8			
12	Ring—compression—tapered (-010" [-254 mm.] O/S)	2A068610		8			
13	Ring—compression—tapered (-020" [-508 mm.] O/S)	2A068620		8			
14	Ring—compression—tapered (-030" [-762 mm.] O/S)	2A068630		8			
15	Ring—compression—tapered (-040" [-1-016 mm.] O/S)	2A068640		8			
16	Ring—scraper (standard)	2A687		4			
17	Ring—scraper (-010" [-254 mm.] O/S)	2A068710		4			
18	Ring—scraper (-020" [-508 mm.] O/S)	2A068720		4			
19	Ring—scraper (-030" [-762 mm.] O/S)	2A068730		4			
20	Ring—scraper (-040" [-1-016 mm.] O/S)	2A068740		4			
21	Pin—gudgeon (standard)	2A887		4			
22	Pin—gudgeon (-002" [-0508 mm.] O/S)	2A088702		4			
23	Pin—gudgeon (-004" [-1-016 mm.] O/S)	2A088704		4			
24	Pin—gudgeon (-006" [-1-524 mm.] O/S)	2A088706		4			
25	Bearing—main (standard)	8G2222		1 set			
26	Bearing—main (-010" [-254 mm.] U/S)	8G222210		1 set			
27	Bearing—main (-020" [-508 mm.] U/S)	8G222220		1 set			
28	Bearing—main (-030" [-762 mm.] U/S)	8G222230		1 set			
29	Bearing—main (-040" [-1-016 mm.] U/S)	8G222240		1 set			
30	Washer—thrust—crankshaft upper (standard)	1A1716		2			
31	Washer—thrust—crankshaft upper (-008" [-0762 mm.] O/S)	1A171608		2			
32	Washer—thrust—crankshaft lower (standard)	1A1717		2			
33	Washer—thrust—crankshaft lower (-008" [-0762 mm.] O/S)	1A171708		2			
34	Bearing—connecting rod big-end (standard)	8G2198		1 set			
35	Bearing—connecting rod big-end (-010" [-254 mm.] U/S)	8G219810		1 set			
36	Bearing—connecting rod big-end (-020" [-508 mm.] U/S)	8G219820		1 set			
37	Bearing—connecting rod big-end (-030" [-762 mm.] U/S)	8G219830		1 set			
38	Bearing—connecting rod big-end (-040" [-1-016 mm.] U/S)	8G219840		1 set			
39	Guide—inlet and exhaust valve (standard)	2A606		8			
40	Guide—inlet and exhaust valve (-010" [-254 mm.] O/S)	2A060610		8			
41	Tappet (standard)	2A18		8			
42	Tappet (-010" [-254 mm.] O/S)	2A001810		8			
43	Tappet (-020" [-508 mm.] O/S)	2A001820		8			







SERVICE PARTS LIST

THE AUSTIN-HEALEY SPRITE

Item No.	DESCRIPTION	Commencing (E) 9C-U-H101			MODIFICATIONS		REMARKS
		Part Number	Illus. No.	Qty. per Veh.	New Part Number	Change Point	
	<b>INLET AND EXHAUST MANIFOLDS</b>						
1	Manifold—inlet—with plug and studs	AEA19	1	1			
2	Plug for inlet manifold	2K8159	2	2			
3	Stud—carburettor to manifold	51K448	3	4	CHS0415	Com. (E) 9C-H46892	Use CHS0414 when heater element is fitted
4	Manifold—exhaust	2A102	4	1			
5	Plate for exhaust manifold blanking	AEA308	5	1			
6	Joint washer for blanking plate	2A106	6	1			
7	Screw for blanking plate	JNS0405	7	4			
8	Joint—inlet and exhaust manifolds to cylinder head	2A719	8	1			
9	Nut for stud—exhaust manifold to cylinder head	BNN105	9	2			
10	Washer for exhaust manifold stud	2K1208	10	2			
11	Nut for stud—inlet and exhaust manifolds to cylinder head	BNN105	11	4			
12	Washer for inlet and exhaust manifold stud	2A110	12	4			



Item No.	DESCRIPTION	Commencing (E) 9C-U-H101		Qty. per Veh.	MODIFICATIONS		REMARKS
		Part Number	Illus. No.		New Part Number	Change Point	
	<b>ENGINE MOUNTINGS</b>						
1	Mounting assembly—front	2A305	13	2	AHA5484	Com. (E) 15305	For 2A305 use AHA5484 for this application
2	Nut—mounting to engine	FNZ105	14	4			
3	Washer for mounting nut (spring)	LWZ305	15	4			
4	Nut—mounting to bracket	FNZ106	16	2			
5	Washer for mounting nut (plain)	2K1201	17	2			
6	Washer for mounting nut (spring)	LWZ306	18	2			
7	Bracket—engine mounting—front R.H.	2A5570	19	1			
8	Bracket—engine mounting—front—L.H.	2A5571	20	1			
9	Bolt—bracket to frame	HZS0505	21	6,5			Quantity reduced at (C) 41016
10	Bolt—bracket and fuel pipe clip to frame			1	HZS0506	Com. (C) 41016	
11	Washer for bracket bolt (plain)	PWZ105	22	6			
12	Washer for bracket bolt (spring)	2K5019	23	6			
13	Mounting assembly—rear	2A5422	24	2			
14	Washer for rear mounting (spring)	LWZ206	25	2			
15	Nut—rear mounting	FNZ106	26	2			
16	Screw—rear mounting to gearbox	ZCS0506	27	4			Part No. change. Was 59K154
17	Washer for rear mounting screw (spring)	LWZ205	28	4			
18	Plate assembly—rear mounting support	2A5552	29	1			
19	Screw—support plate to cross-member	HBZ0626	30	2			
20	Washer for support plate screw (plain)	PWZ106	31	2			
21	Washer for support plate screw (spring)	LWZ206	32	2			
22	Screw—support plate bracket to gearbox cover	HPZ0305	33	2			
23	Washer for bracket screw (spring)	LWZ205	34	2			
24	Rubber—rear mounting—tie	2A5420	35	1			
25	Screw—tie rubber to gearbox	ZCS0506	36	2			Part No. change. Was 59K154
26	Washer for tie rubber screw (plain)	PWZ105	37	2			
27	Washer for tie rubber screw (spring)	LWZ205	38	2			