

A.3798.A

SERVICE PARTS LIST

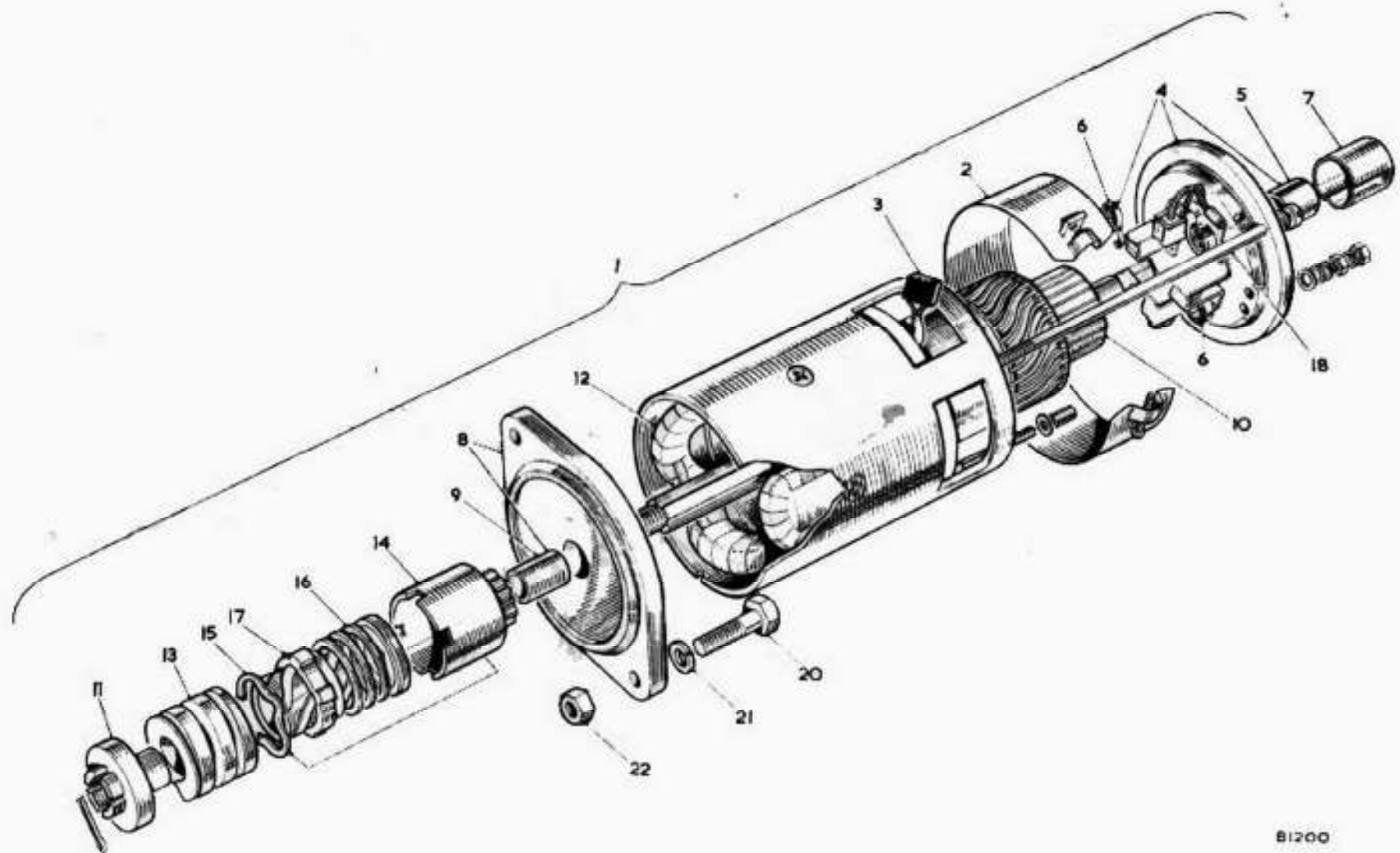
THE AUSTIN-HEALEY SPRITE

Item No.	DESCRIPTION	Commencing (C) 501		Qty. per Veh.	MODIFICATIONS		REMARKS
		Part Number	Illus. No.		New Part Number	Change Point	
<u>ELECTRICAL EQUIPMENT</u>							
BATTERY							
1	Battery—wet	N.S.P.		1			
2	Battery—dry-charged	Not U.K.	N.S.P.	1			
3	Screw—terminal	242845		1			
4	Tray—battery	410690		2			
5	Bar—battery fixing	1445308		3			
6	Packing—bar to battery	1445302		4			
7	Rod—battery fixing	1445687		5			
8	Washer for battery fixing rod (spring)	W2204		6			
9	Nut for battery fixing rod	FNZ104		7			
DYNAMO							
10	Dynamo assembly	AEA308		8			
11	Brushes	7H5028		9	1 set		
12	Bracket assembly (commutator end)	27H5420		10	1		
13	Bearing—brushing	7H5060		11	1		Part No. change. Was 17H5407
14	Uter assembly	7H5327		12	1		
15	Spring—brush tension	7H5081		13	1 set		
16	Bearing (drive end)	97H628		14	1		
17	Bracket assembly (drive end)	7H5388		15	1		
18	Armature assembly	87H3207		16	1		
19	Nut for shaft	7H5084		17	1	FNN207	7H5084 not available. Use FNN207
20	Coils—field	7H5077		18	1 set		
21	Terminal assembly	17H5438		19	1		
22	Bolt—through-fixing	17H0217		20	2		
23	Sundry parts	7H5874		21	1 set		

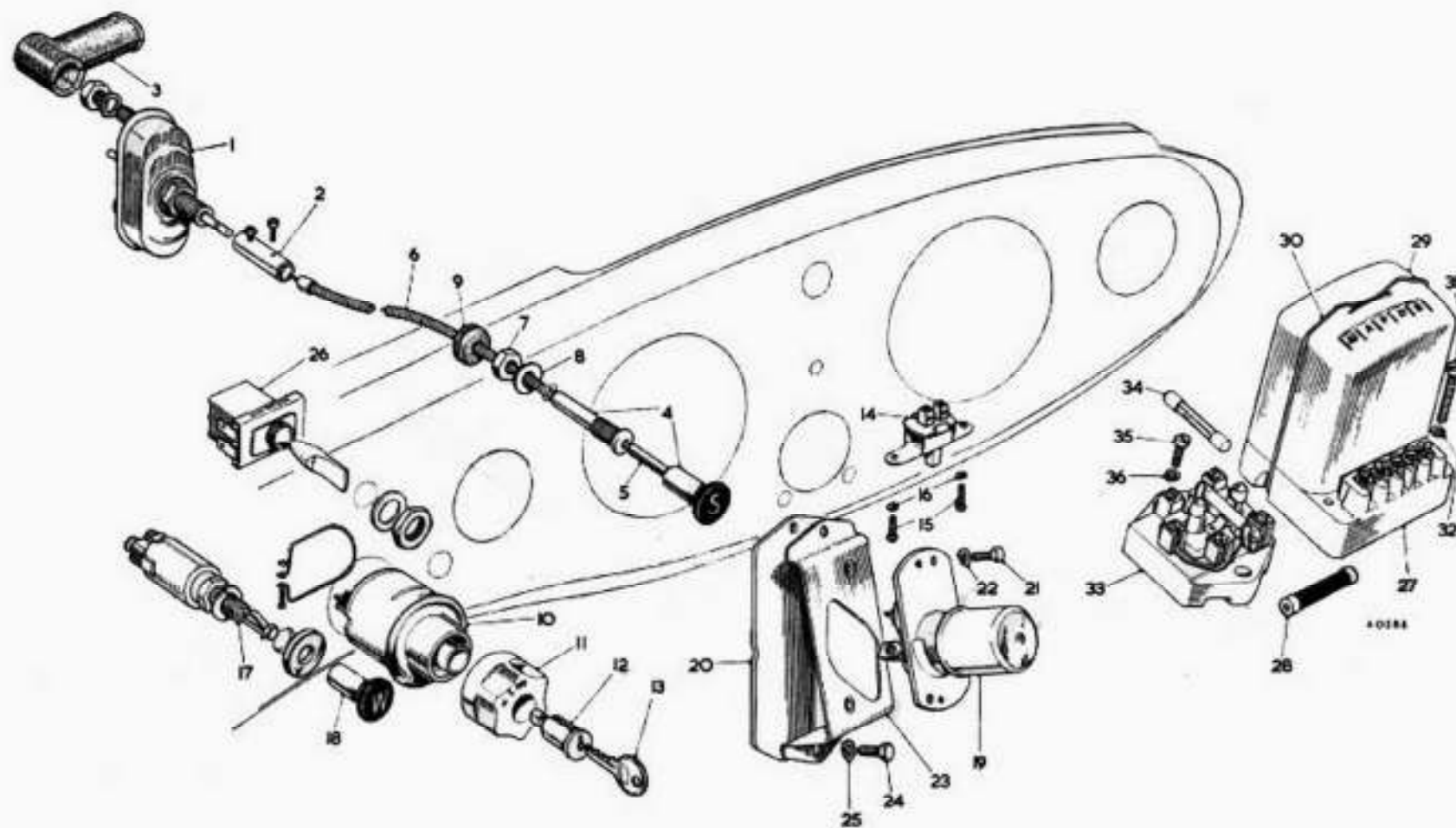
SERVICE PARTS LIST

THE AUSTIN-HEALEY SPRITE

Item No.	DESCRIPTION	Commencing (C) 501		Qty. per Veh.	MODIFICATIONS		REMARKS
		Part Number	Illus. No.		New Part Number	Change Point	
	STARTER						
1	Starter	3H952	1	1			
2	Band—cover	7H5038	2	1			
3	Brushes	7H5040	3	1 set			
4	Bracket (commutator end)	7H5041	4	1			
5	Bush for bracket	7H5042	5	1			
6	Spring—brush tension (for bracket with split support post)	7H5043	6	1 set			
7	Spring—brush tension	47H5341	7	1 set] see Austin Service Journal A/337
8	Cap for shaft	7H5039	8	1			
9	Bracket (driving end)	7H5048	8	1			
10	Bush for bracket	7H5049	9	1			
11	Armature	7H5050	10	1			
12	Nut for armature shaft	7H5044	11	1	47H5342		7H5044 not available. Use 47H5342. 47H5342 Part No. change. Was 47H5370
13	Coils—field	7H5051	12	1 set			
14	Spring—main	7H5045	13	1			
15	Pinion and barrel assembly	7H5046	14	1			
16	Ring—barrel retaining	47H5100	15	1			
17	Spring—pinion retaining	7H5047	16	1			
18	Sleeve with control nut (screwed)	7H5529	17	1			
19	Bolt—through-fixing	17H5444	18	2			
20	Sundry parts	7H5156	19	1 set			
21	Bolt—starter to rear plate	HBZ0613	20	2			
22	Nut for bolt	FNZ106	21	2			
23	Washer for bolt (spring)	LWZ908	22	2			



B1200



SERVICE PARTS LIST

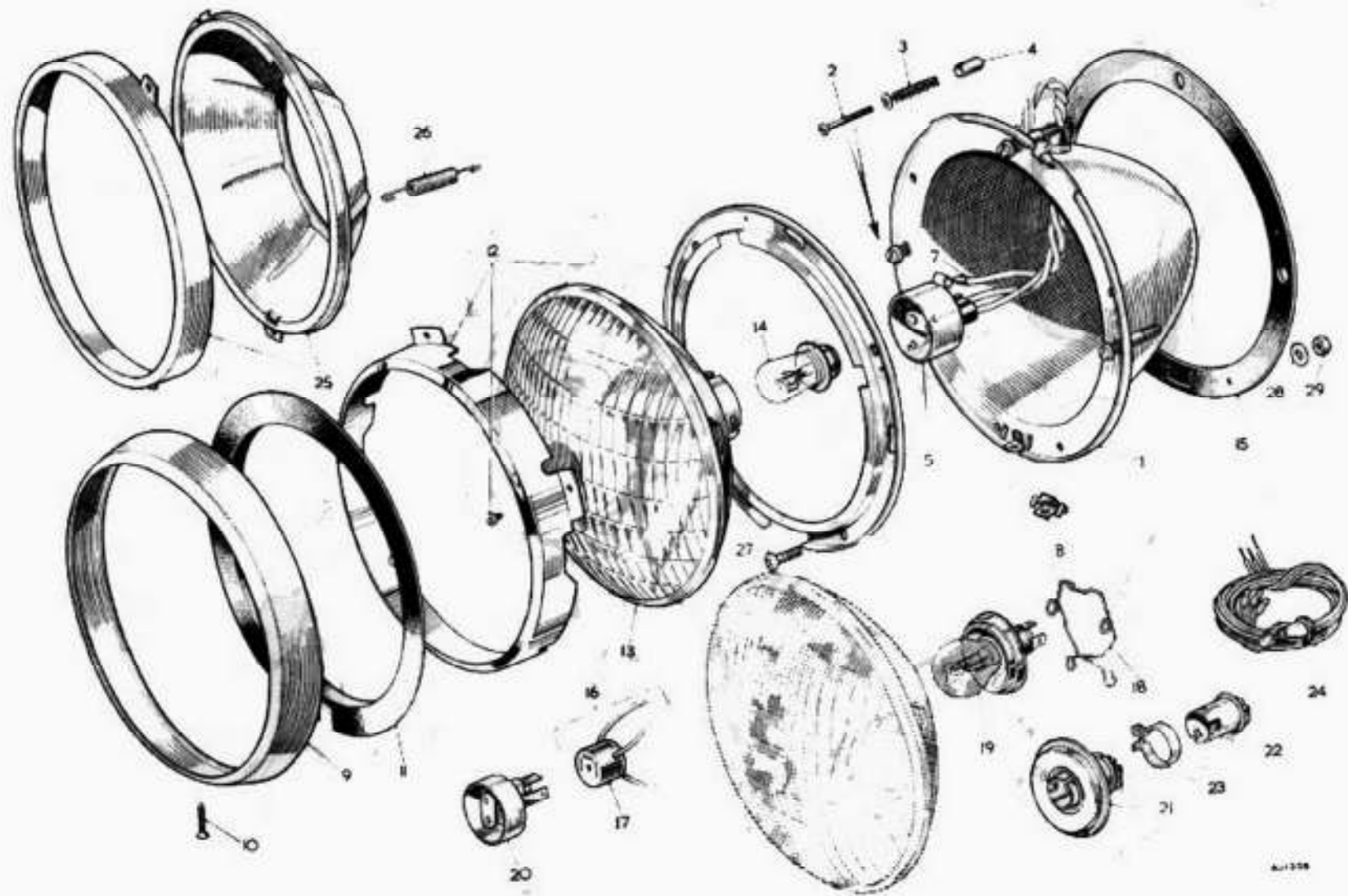
THE AUSTIN-HEALEY SPRITE

Item No.	DESCRIPTION	Commencing (C) 501		Qty. per Veh.	MODIFICATIONS		REMARKS
		Part Number	Illus. No.		New Part Number	Change Point	
	SWITCHES						
1	Switch—starter	814949	1	1			
2	Coupling—starter switch to control	8H950	2	1			
3	Booster—starter switch terminal	8G548	3	1			
4	Control assembly—starter switch	2A2085	4	1			
5	Cable—inner (complete with knob)	97112071	5	1			
6	Cable (outer)	97112072	6	1			
7	Nut	97112073	7	1			
8	Washer—control to dash (plain)	PWZ106	8	1			
9	Grommet—starter control through dash	RFN308	9	1			
10	Switch—lighting and ignition	8H1537	10	1			
11	Knob—lighting and ignition switch	8H1538	11	1			
12	Lock—barrel—lighting and ignition switch	7H9830	12	1			
13	Key for barrel lock	AN K1648	13	2			
14	Switch—panel light	818100	14	1			
15	Screw—panel light switch to fascia	AJD1708N	15	2			Part No. change. Was 6K9588
16	Washer for screw (spring)	LWZ202	16	2			
17	Switch—windscreen wiper	8H9095	17	1	27H5278		8H9095 not available. Use 27H5278
18	Knob—windscreen wiper switch	11K9101	18	1			
19	Switch—headlamp dipper	11G2007	19	1			
20	Pad—insulating	AH A5285	20	1			
21	Screw—dipper switch to bracket	PMZ0807	21	2			
22	Washer for screw (spring)	LWZ206	22	2			
23	Bracket—headlamp dipper switch	2A9102	23	1			
24	Screw—dipper switch bracket to footwell	PMZ0408	24	2			
25	Washer for screw (spring)	LWZ204	25	2			
26	Switch—direction indicator	2A9074	26	1			
27	Control box	3H1835	27	1			
28	Resistance—88 ohms (carbon type)	7H5006	28	1] See Austin Service Journal A/826
29	Resistance—60 ohms (wire-wound)	47H5589		1			
30	Cover—control box	7H5522	29	1			
31	Clip—control box cover	7H5126	30	1			
32	Screw—control box to panel	PMZ0820	31	2			
33	Washer for screw (spring)	LWZ208	32	2			
34	Fusebox	1G2613	33	1			
35	Fuse—35-amp.	7H5067	34	4			
36	Screw—fusebox to panel	PMZ0810	35	2			
37	Washer for screw (spring)	LWZ208	36	2			

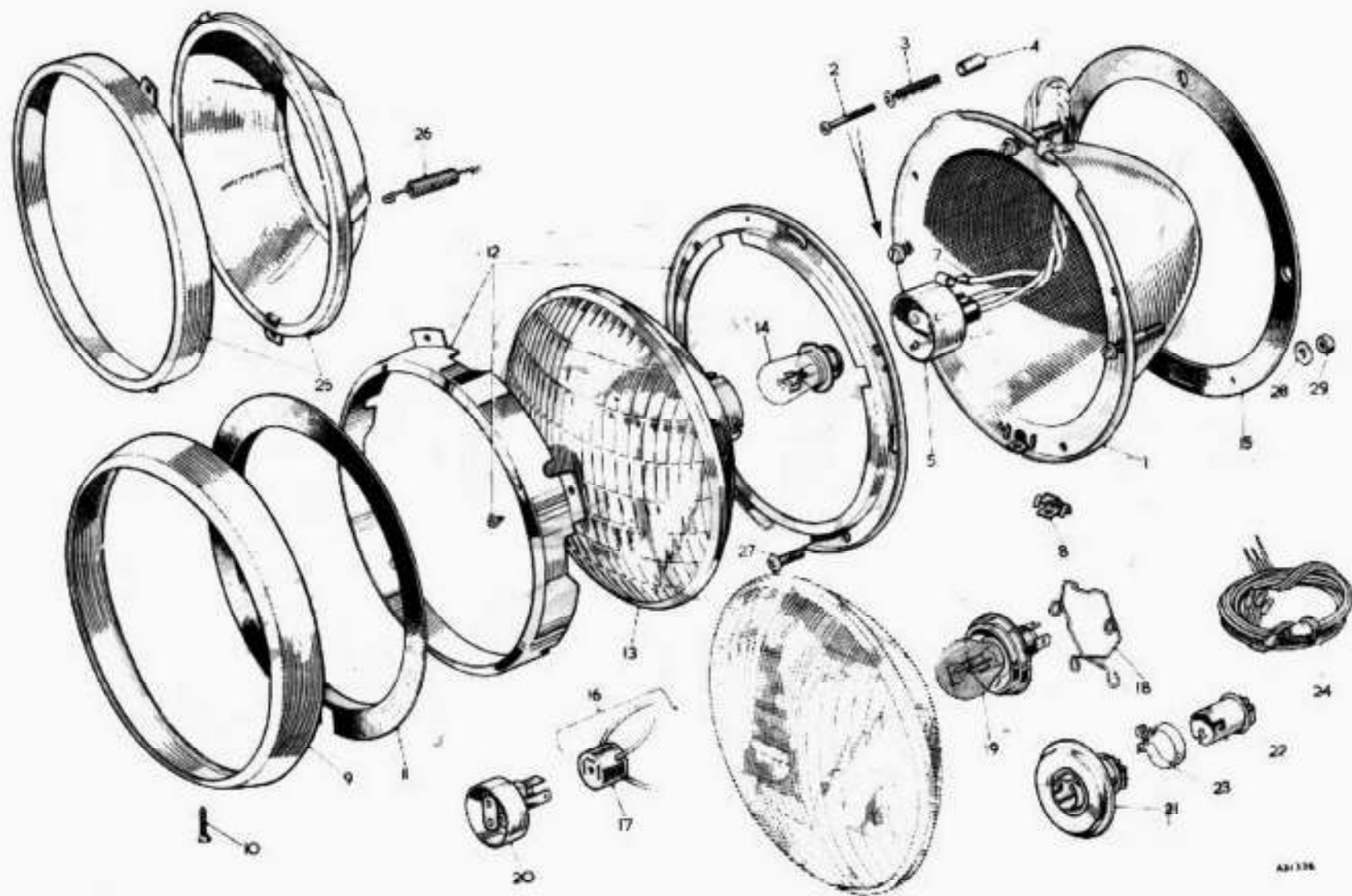
SERVICE PARTS LIST

THE AUSTIN-HEALEY SPRITE

Item No.	DESCRIPTION	Commencing (C) 501		Qty. per Veh.	MODIFICATIONS		REMARKS
		Part Number	Illus. No.		New Part Number	Change Point	
	LAMPS (ROAD)						
1	Headlamp			1	2	47H5365	3H2518 not available. Use 47H5365
2	Rim assembly			2	2		
3	Screw—rim fixing			8	2		
4	Nut for screw			4	2		
5	Excluder—dust			5	2		
6	Plate—light unit retaining			6	2		
7	Light unit			7	2		
8	Bulb holder			8	2		
9	Sleeve—terminal			6	2		
10	Bulb—left dip			10	2		Part No. change. Was 18H140
11	Gasket (rubber)			9	2		
12	Headlamp						
13	Rim assembly			2	2	13H323	
14	Screw—rim fixing			2	2	17H5147	
15	Nut for screw			2	2	37H5870	
16	Excluder—dust			2	2	27H5854	
17	Plate—light unit retaining			2	2	3H2982	
18	Light unit			2	2	17H5205	Com. (C) 21118
19	Spring—bulb retaining			2	2	47H5528	
20	Adaptor			2	2	47H5125	
21	Sleeve—terminal			6	2	47H5126	
22	Bulb—vertical dip			2	2	37H5271	
23	Gasket (rubber)			2	2	BFS410	Part No. change. Was 18H188
24	Headlamp						
25	Headlamp—European lens			2	2	3H1081	Fin. (C) 10488
26	Rim assembly			2	2	BNA4092	Com. (C) 10489
27	Screw—rim fixing			2	2		
28	Nut for screw			2	2		
29	Excluder—dust			2	2		
30	Plate—light unit retaining			2	2		
31	Light unit			2	2	47H5124	Com. (C) 10489
32	Spring—bulb retaining			2	2	47H5125	Fin. (C) 10488
33	Bulb holder			2	2		
34	Sleeve—terminal			6	2	47H5126	Com. (C) 10489
35	Adaptor			2	2	748582	
36	Sleeve—terminal			6	2		
37	Bulb—vertical dip			2	2	BFS870	Fin. (C) 10488
38	Gasket (rubber)			2	2	BFS410	Com. (C) 10489
39	Sleeve—sealing			6	2		Fin. (C) 10488



6/1558



SERVICE PARTS LIST

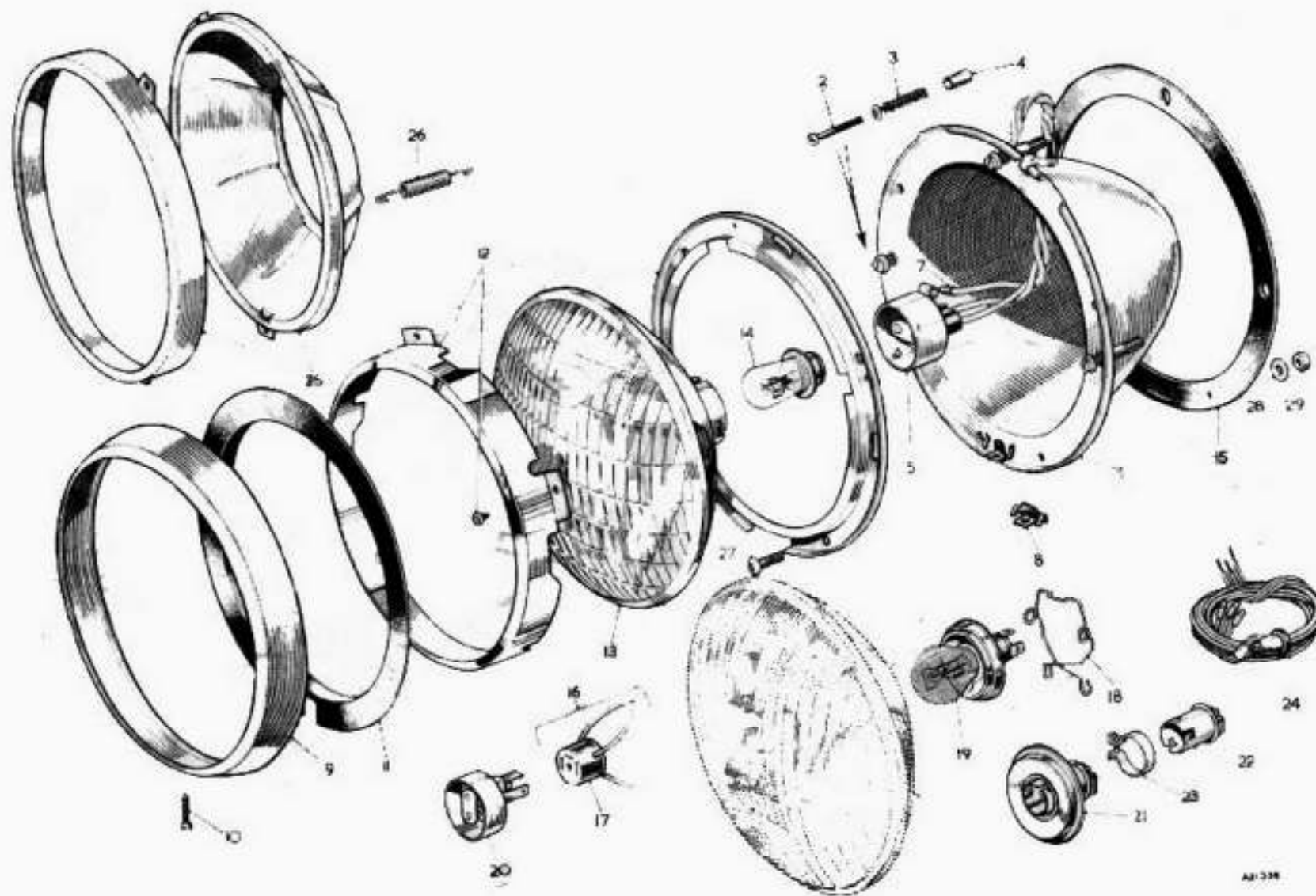
THE AUSTIN-HEALEY SPRITE

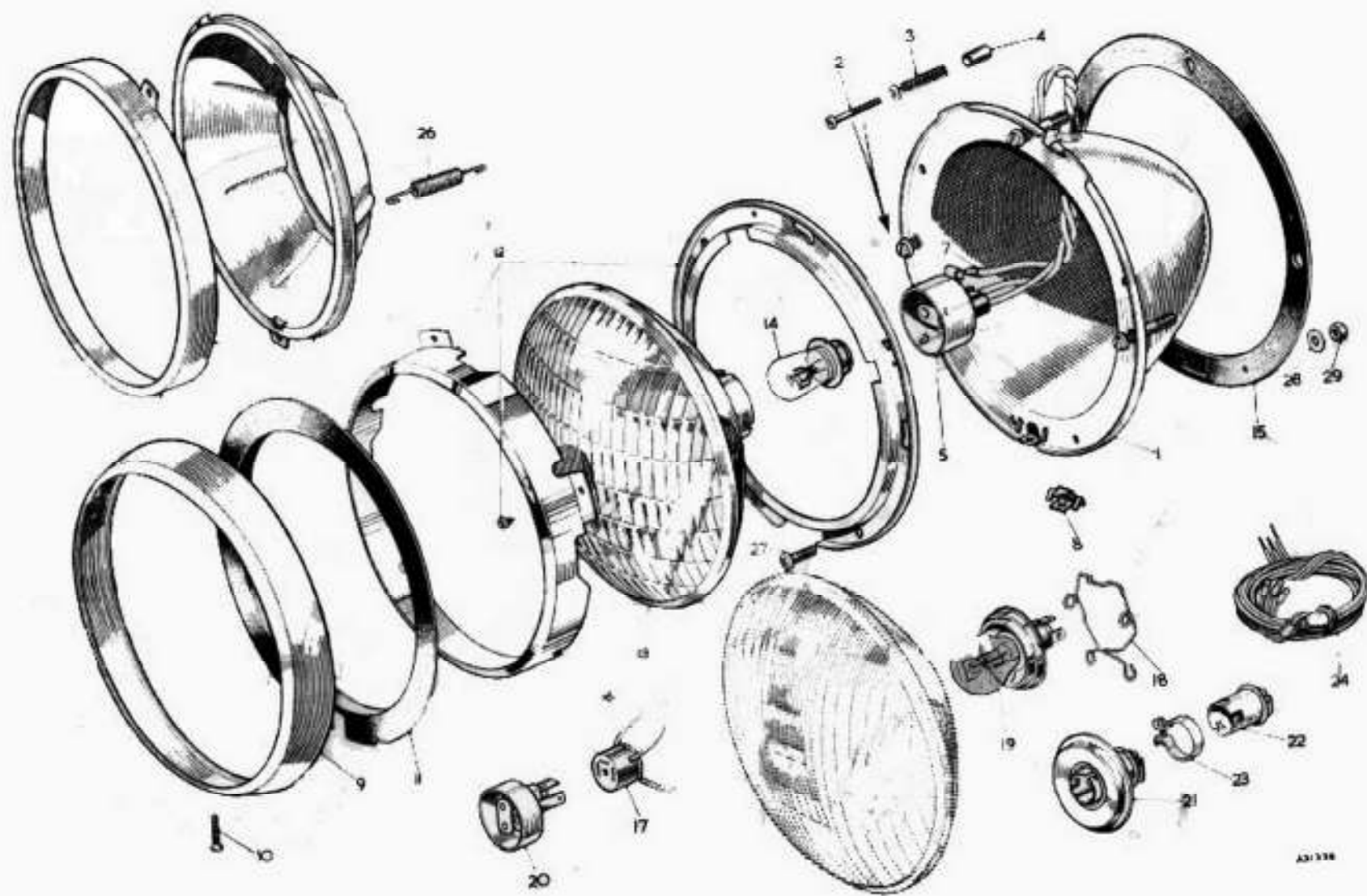
Item No.	DESCRIPTION	Commencing (C) 501		Qty. per Veh.	MODIFICATIONS		REMARKS
		Part Number	Illus. No.		New Part Number	Change Point	
	Lamps Read—continued						
1	Headlamp (less bulb) (FRANCE)	17H5330		2	3H2521	Fin. (C) 7781	17H5330 not available. Use 3H2521
2	Headlamp (FRANCE)			2	BNA4093	Com. (C) 7782	
3	Rim assembly	17H5147		2			
4	Screw—rim fixing	AJA5081		2			
5	Nut for screw	27H5854		2			
6	Excluder—dust	3H2962		2			
7	Plate—light unit retaining	17H5205		2			
8	Light unit	7H5486		2	47H5124	Com. (C) 7782	
9	Spring—bulb retaining			2	47H5125		
10	Back-shell assembly	17H5146		2		Fin. (C) 7781	
11	Bulb holder	7H5062		2			
12	Sleeve—terminal	7H5582		6		Com. (C) 7782	
13	Adaptor			2	47H5126		
14	Sleeve—terminal			6	7H5582	Com. (C) 7782	
15	Bulb—yellow			2	BFS411		
16	Gasket (rubber)			2			Part No. change. Was 18H180
17	Sleeve—sealing	LHD		6		Fin. (C) 7781	
18	Headlamp (Not U.K.)	17H8543		2			Except Europe
19	Rim assembly	17H5147		2			
20	Screw—rim fixing	AJA5081		2			
21	Nut for screw	27H5854		2			
22	Excluder—dust	3H2962		2			
23	Plate—light unit retaining	17H5205		2			
24	Light unit	17H5875		2			
25	Adaptor	17H5244		2			
26	Adaptor—conversion	17H5546		2			
27	Bulb—right dip	3H5855		2			Part No. change. Was 3H1808
28	Gasket (rubber)	3H1081		2			
29	Sleeve—sealing	27H5258		6			
30	Headlamp (U.S.A.)			2	57H5004		Correction. Was BHA4142
31	Rim assembly			2	47H5564		
32	Screw—rim fixing			2	AJA5081		
33	Nut for screw			2	27H5854	Com. (C) 19015	
34	Adaptor			2	47H5126		
35	Sleeve—terminal			6	37H5271	Com. (C) 24400	
36	Gasket (rubber)			2	18H1846		
37	Screw—headlamp to body	PMZ0812	11	8			
38	Nut for screw			4	FNZ105		
39	Washer for nut (plain)			4	PWZ208		

SERVICE PARTS LIST

THE AUSTIN-HEALEY SPRITE

Item No.	DESCRIPTION	Commencing (C) 501		Qty. per Veh	MODIFICATIONS		REMARKS
		Part Number	Illus. No.		New Part Number	Change Point	
	Lamps Road—continued						
1	Sidelamp	1B8100	12	2			
2	Rim—sidelamp	7H51N2	12	2			
3	Glass—sidelamp	37H5519	14	2			
4	Bulb holder and plate assembly	2715545	15	2			
5	Interior—bulb holder	17H5427	2	2	7H5111		17H5427 not available. Use 7H5111 Part No. change. Was 1F9026
6	Bulb	BF5890	10	2			
7	Body—sidelamp	3715327	17	2			
8	Screw—sidelamp to body	P1Z604		6			
9	Nut for screw	PFS826		6			
10	Lamp—stop/tail and reflex	13H23	18	2			Part No. change. Was ADA1613
11	Lens and reflex assembly	AJA3009	19	2			
12	Screw—lens fixing	37H5410	20	4			
13	Rubber—lens seating	AJA5071	21	2			
14	Rim and rubber holder assembly	AJA5072	22	2			
15	Sleeve—terminal	37H5271		6			
16	Rubber—lamp seating	AJA5073	23	2			
17	Bulb	BF5890	24	2			Part No. change. Was 1F9026
18	Screw—lamp to body	P1M20808	25	4			
19	Washer for screw (spring)	1WZ208	26	4			
20	Lamp—rear flasher (amber)	2A9013	27	2			
21	Lamp—rear flasher (red)	2A9040	28	2			
22	Body (rubber)	3715527	28	2			
23	Rim	7115182	29	2			
24	Lens—amber	37H5520	30	2			
25	Lens—red	3715531		2			
26	Bulb holder and plate assembly	37H5528	31	2			
27	Interior—bulb holder	AJH5100	2	2	7H5202		AJH5100 not available. Use 7H5202 Part No. change. Was 1F9012
28	Bulb	BF5382	32	2			
29	Screw—rear flasher lamp to body	P1Z604		6			
30	Nut for screw	PFS826		6			





SERVICE PARTS LIST

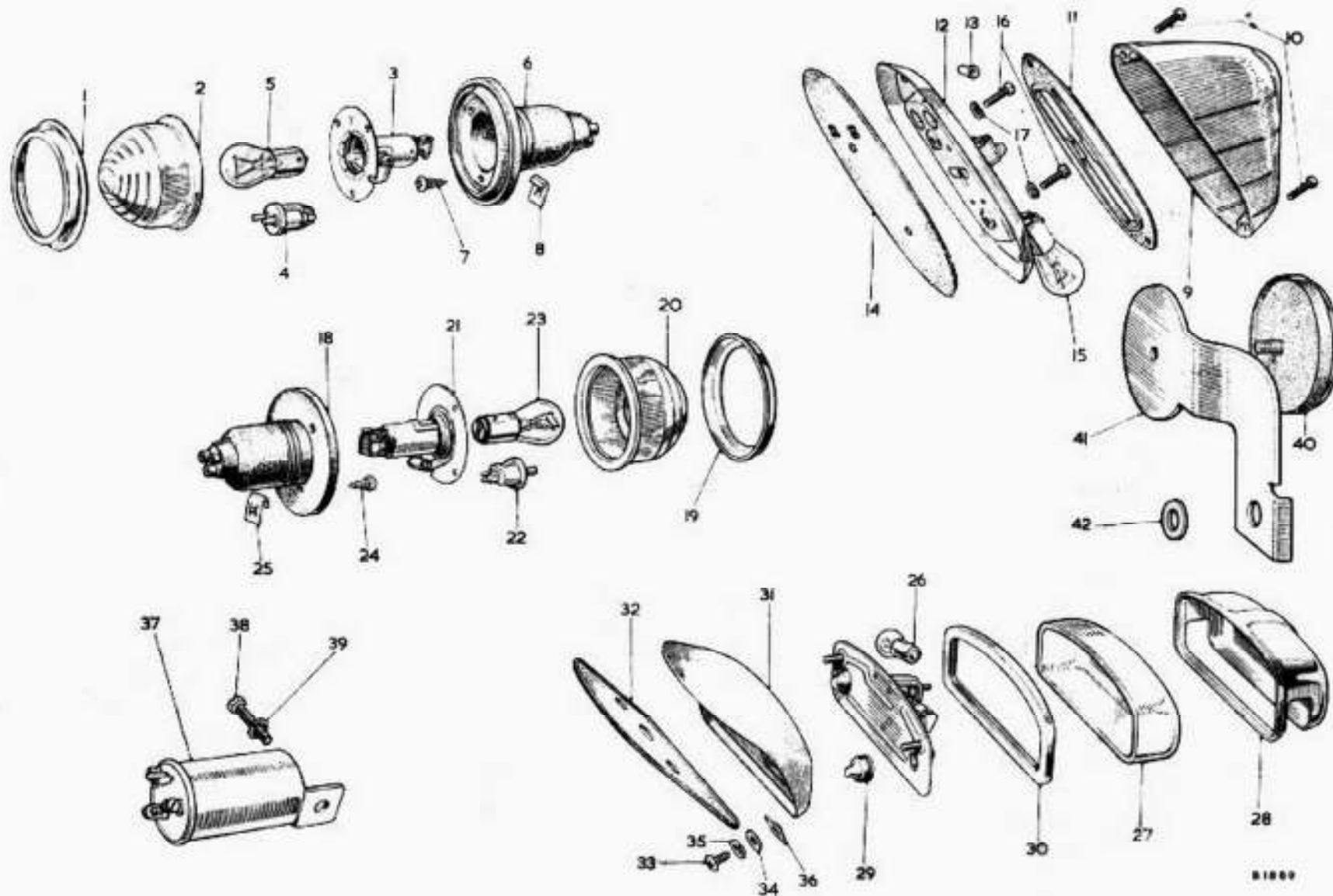
THE AUSTIN-HEALEY SPRITE

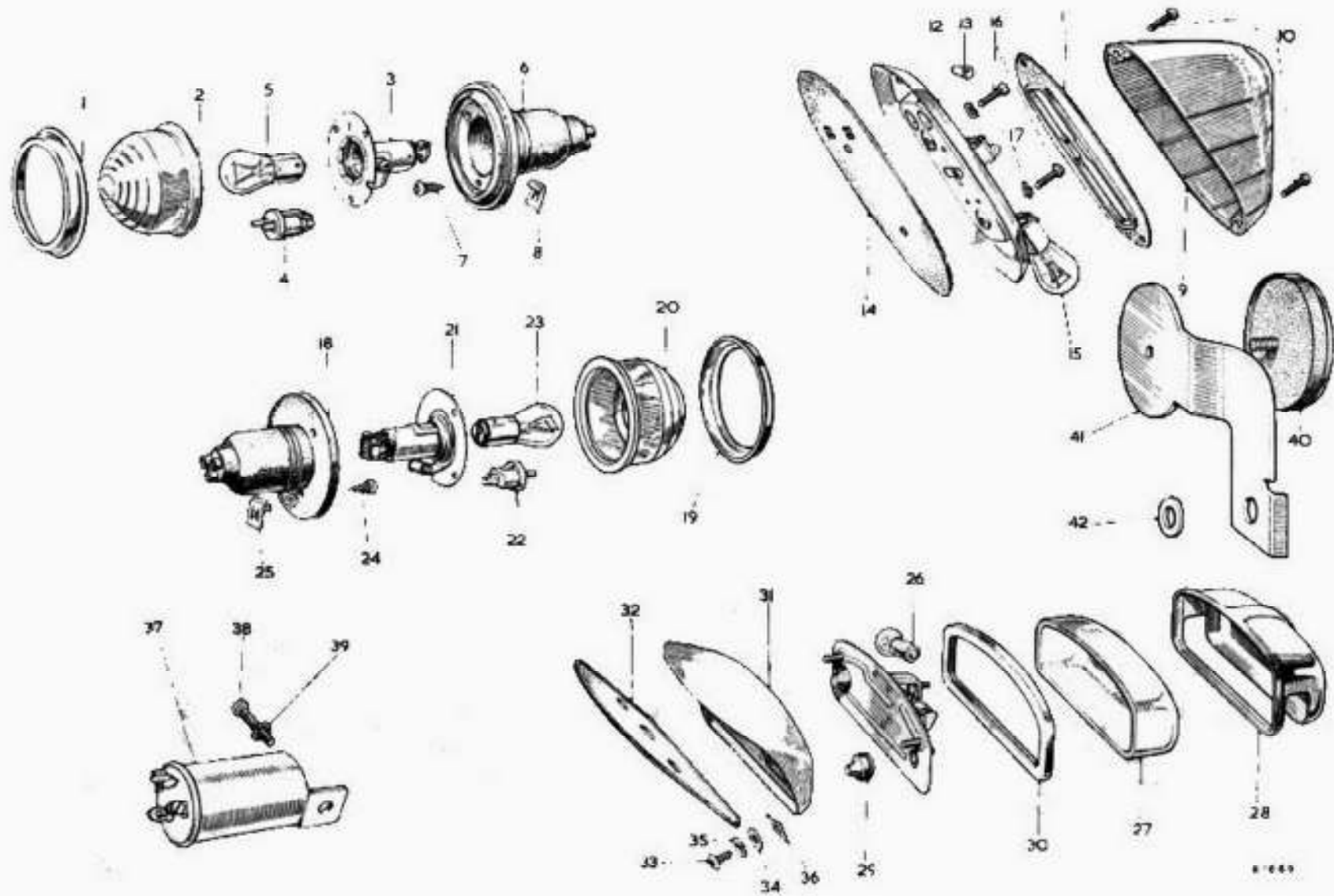
Item No.	DESCRIPTION	Commencing (C) 501		Qty. per Veh.	MODIFICATIONS		REMARKS
		Part Number	Illus. No.		New Part Number	Change Point	
	Lamps Road—continued						
1	Lamp—number-plate	3H1813	33	1	BHA4153	Com. (C) 36194	
2	Bulb	BFS069	34	1/2			Quantity increased at (C) 36194. Part No. change. Was 2H4817
3	Window for lamp	7H5121	35	1	57H5128	Com. (C) 36194	
4	Cover for lamp	7H5185	36	1			
5	Grommet—lamp cable	7H5164	37	1		Finishing No. not available	
6	Gasket for lamp base (rubber)	7H5122	38	1	57H5868	Com. (C) 36194	
7	Screw—lamp cover to base	17H5885	39	1			Correction. Was 68780. Not supplied separately. Part of sundry parts set
8	Sundry parts	7H5128		1 set			
9	Bracket—number plate lamp mounting	14A4615	40	1			
10	Rubber—mounting—number-plate lamp	14A4748	41	1			
11	Screw—number-plate lamp mounting to body	PJZ1006	42	2			
12	Washer for screw (plain)	PWZ203	43	2			
13	Washer for screw (spring)	LWZ203	44	2			
14	Nut for screw	PFS510	45	2			
15	Flasher unit	11G0093	46	1			
16	Screw—flasher unit to dash	PMZ0406	47	1			
17	Washer for screw (spring)	LWZ204	48	1			
18	Reflector—rear	(Not U.K.) BHA4148		2			
19	Bracket—reflector mounting (R.H.)	AHH5981		1			
20	Bracket—reflector mounting (L.H.)	AHH5980		1			
21	Washer (plain)	PWZ205		2			

SERVICE PARTS LIST

THE AUSTIN-HEALEY SPRITE

Item No.	DESCRIPTION	Commencing (C) 501			MODIFICATIONS		REMARKS	
		Part Number	Illus. No.	Qty per Veh	New Part Number	Change From		
HORN								
1	Horn	13H09	1	1				
2	Disc—tone	27H5381	2	1				
3	Cover	27H5382	3	1				
4	Ring—cover sealing	27H5588	4	1				
5	Screw—horn to R.H. radiator mounting bracket	PMZ0008	5	2		} Fin. (C) 6891 } Com. (C) 6892		
6	Washer for screw (spring)	LWZ208	6	2				
7	Bracket—horn			1	AHA5447			
8	Screw—horn to bracket			2	PMZ0008			
9	Nut for screw			2	FNZ108			
10	Washer for nut (spring)			2	LWZ208			
11	Screw—horn bracket to R.H. radiator mounting bracket			2	PMZ0008			
12	Washer for screw (spring)			2	LWZ208			
13	Horn-push assembly	2A6157	7	1				
14	Contact (bottom)	27H5372	8	1				
15	Contact (top)	27H5509	9	1				
16	Spring for push knob	27H5570	10	1				
17	Knob—horn-push	27H5559	11	1				
18	Bezel—horn-push	27H5568	12	1				
19	Clip—horn-push retainer	27H5428		2				
20	Brush assembly	2A6102	18	1				
21	Slip ring and moulding assembly	RHD 2A6158	14	1				
22	Slip ring and moulding assembly	LHD 2A6161	15	1				
23	Screw—slip ring and moulding to fascia	PMZ0205	16	8	PPZ0205	Com. (C) 17966		
24	Washer for screw	4 J4888	17	8				
WINDTONE HORNS (Optional Extra)								
25	Horn—Windtone (high note)			1	1B9008			
26	Horn—Windtone (low note)			1	1B9007			
27	Bracket—horn mounting (high note)			1	AHA5458			
28	Bracket—horn mounting (low note)			1	AHA5457			
29	Screw—fixing bracket			6	HZS0305			
30	Nut for screw			6	FNZ105			
31	Washer for nut—large (plain)			2	PWZ905			
32	Washer for nut (spring)			6	LWZ905			
33	Screw—horn to bracket			4	HZS0405			
34	Nut for screw			4	FNZ104			
35	Washer for nut (spring)			4	LWZ904			
36	Relay—horn			1	11H153			
37	Screw—relay to L.H. wheel arch			2	PMZ0300			
38	Nut for screw			2	FNZ108			
39	Washer for nut (spring)			2	LWZ208			
40	Grommet—horn			2	ADG1517			





SERVICE PARTS LIST

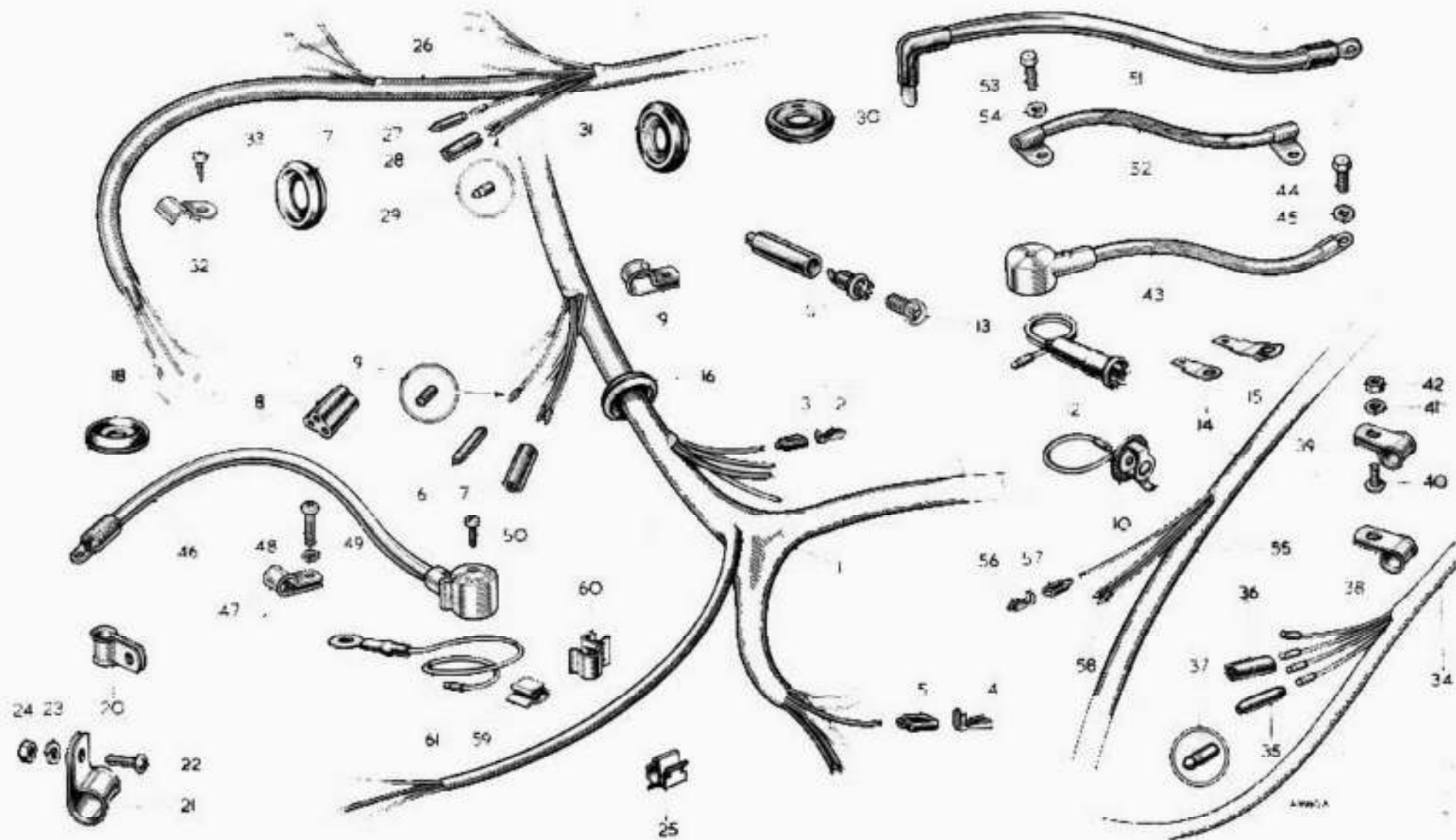
THE AUSTIN-HEALEY SPRITE

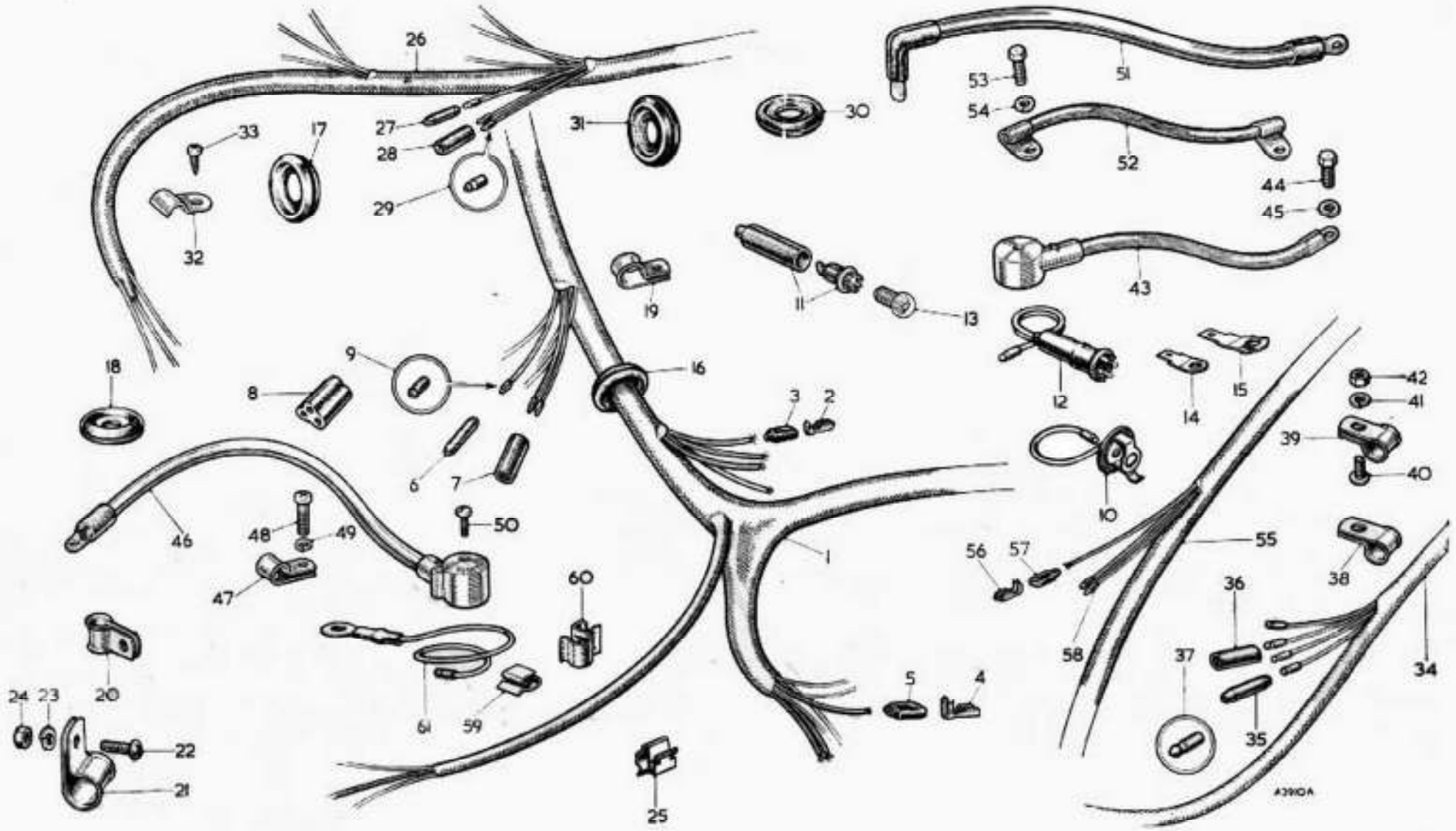
Item No.	DESCRIPTION	Commencing (C) 501		Qty. per Veh.	MODIFICATIONS		REMARKS
		Part Number	Illus. No.		New Part Number	Change Point	
	WINDSCREEN WIPER						
1	Motor—windscreen wiper	17H6361		1	37H5428	Com. (C) 5477, also 5137, 5287, 5288	
2	Brush gear—wiper motor	17H5290	18	1			
3	Brush	7H5120	19	1 set			
4	Armature—motor	17H5255	20	1			
5	Coil—motor	87H5284	21	1			
6	Fixing parts	17H5431		1 set			
7	Sh. it and gear—motor	17H5443	22	1	47H5815] Com. (C) 5477, also 5137, 5287, 5288	
8	Switch—adjusting	17H5442	23	1	47H5816		
9	End cover	27H5554	24	1			
10	Sundry parts	17H5444		1 set			
11	Washer for fixing bolt	7H5505	25	2			
12	Grommet—cable through dash	8H5768	26	1			
13	Wheelbox—windscreen wiper	14B5588	30	2	BHA4151	Com. (C) 26825	Part No. change. Was ADC1860 14B5588 not available. Use BHA4151
14	Cable—wiper motor to wheelbox (outer)	14A4801	26	1			
15	Cable—wheelbox to wheelbox (outer)	14A4802	27	1			
16	Cross-head and rack	47H5023	28	1	37H5169		47H5023 not available. Use 37H5169
17	Spindle and gear—wheelbox	17H5388	31	2			
18	End tube—wheelbox	14G8722	32	1			
19	Arm—windscreen wiper	18H66C	33	2			
20	Arm—windscreen wiper	18H68		2			
21	Blade—windscreen wiper	17H5612	34	2			

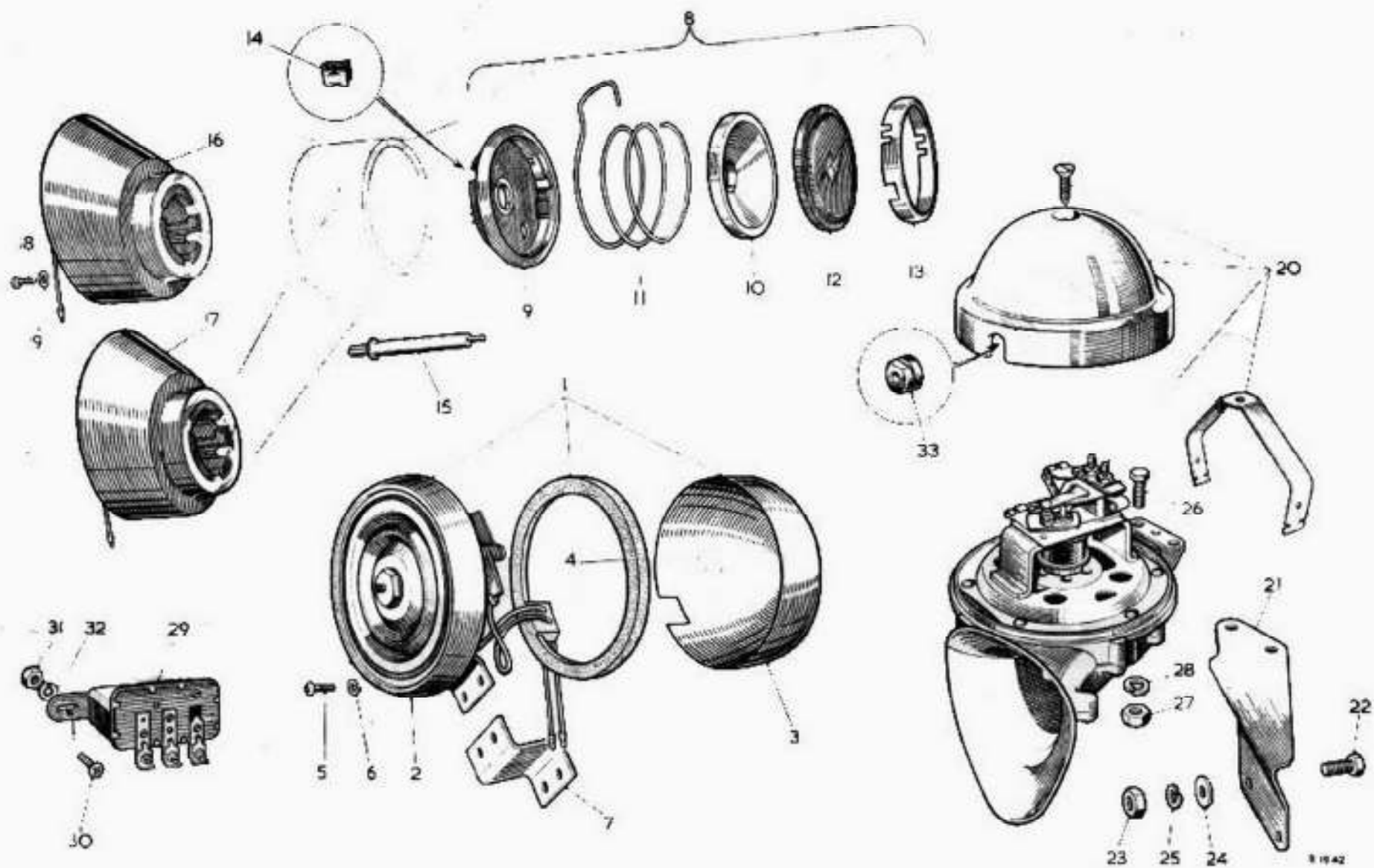
SERVICE PARTS LIST

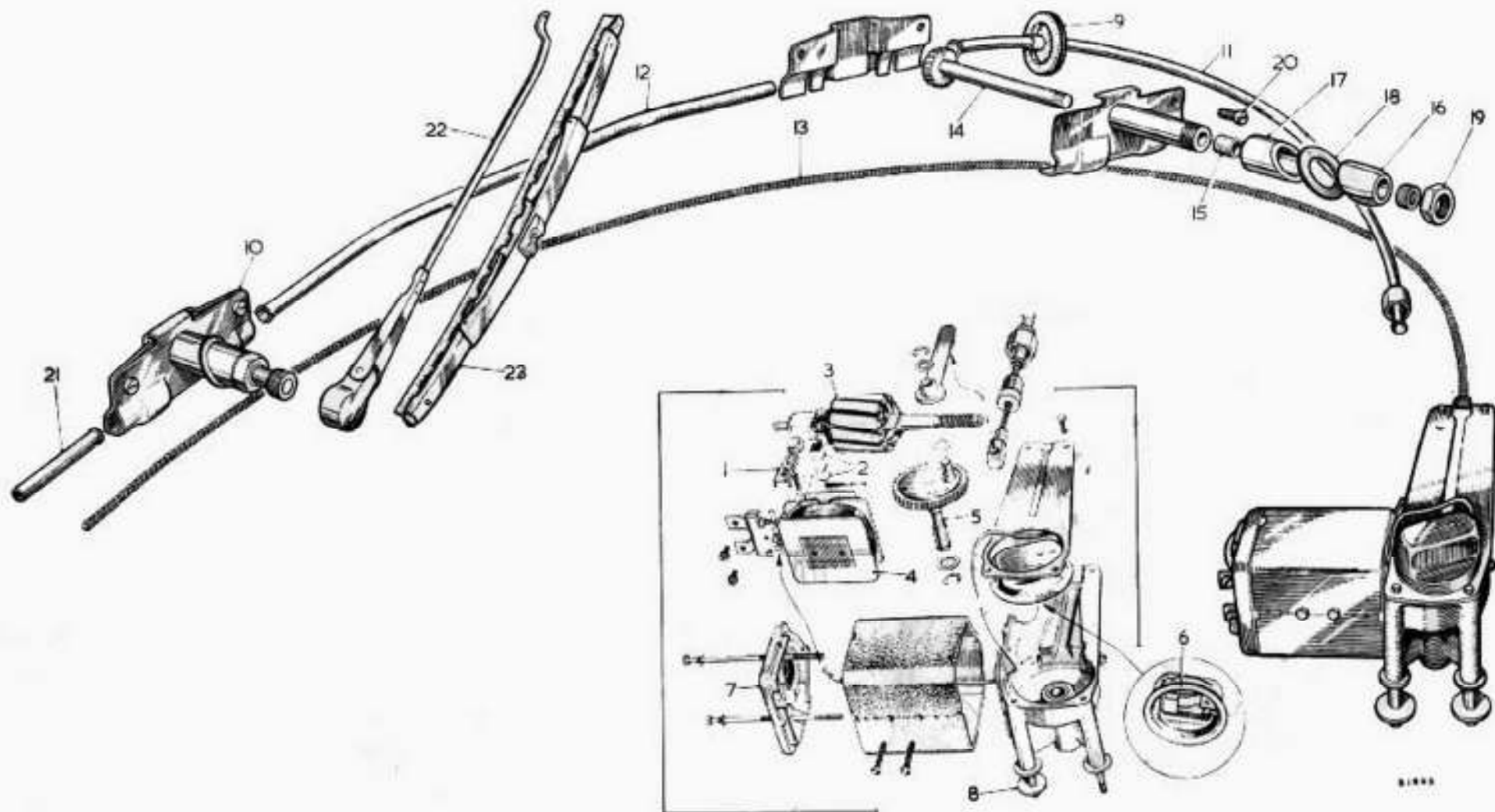
THE AUSTIN-HEALEY SPRITE

Item No.	DESCRIPTION	Commencing (C) 501		Qty. per Veh.	MODIFICATIONS		REMARKS
		Part Number	Illus. No.		New Part Number	Change Point	
CABLES AND CONNECTIONS							
1	Harness—main	2A9071	1	1	AHA5497	Com. (C) 22801	
2	Connector—Lucar—female (14-amp.)	47H5496	2	A/R			
3	Insulator for connector (rubber)	47H5417	3	A/R			
4	Connector—Lucar—female (85-amp.)		4	A/R	47H5419] Com. (C) 22801	
5	Insulator for connector (rubber)		5	A/R	47H5418		
6	Connector—snap—single	2H8406	6	A/R			
7	Connector—snap—2-way	2H9617	7	A/R			
8	Connector—snap—3-way	2H4992	8	A/R			
9	Plug for snap connector	2H2704	9	A/R			
10	Bulb holder—combined instrument and fuel gauge	3H914	10	2			
11	Bulb holder—headlamp beam warning lamp, flasher warning lamp, and speedometer	37H5181	11	3			
12	Bulb holder—ignition warning lamp	47H5166	12	1			
13	Bulb	BPS087	13	6			
14	Connector—Lucar—male (14-amp.)		14	A/R	BMK403] Com. (C) 22801	
15	Connector—Lucar—male (85-amp.)		15	A/R	47H5522		
16	Grommet—main harness through dash	RFN808	16	1			
17	Grommet—wiper motor cable through dash	RFN805	17	1			
18	Grommet—dipper switch cable through footwell	RFN305	18	1			
19	Clip—main harness to wheel arch	PCR0407	19	2			
20	Clip—main harness to radiator	PCR0409	20	2			
21	Clip—main harness to front valance	PCR1007	21	1			
22	Screw—clip to valance	PM20810	22	1			
23	Washer for screw (spring)	LW2203	23	1			
24	Nut for screw	FN2103	24	1			
25	Clip—headlamp cable to bonnet flange	6K400	25	2			
26	Harness—body	2A9072	26	1			
27	Connector—snap—single	2H8406	27	A/R			
28	Connector—snap—2-way	2H9617	28	A/R			
29	Plug for snap connector	2H2704	29	A/R			
30	Grommet—tank unit cable through rear floor	RFN303	30	1			
31	Grommet—number plate lamp cable through rear panel	RFN308	31	1			
32	Clip—body harness to sill (R.H.)	CHR0405	32	2			
33	Screw—clip to sill	PI2003	33	2			









SERVICE PARTS LIST

THE AUSTIN-HEALEY SPRITE

Item No.	DESCRIPTION	Commencing (C) 501		Qty. per Veh.	MODIFICATIONS		REMARKS
		Part Number	Illus. No.		New Part Number	Change Point	
	Cables and Connections—continued						
1	Harness—forward lighting	2A9073	34	1			
2	Connector—snap—single	2H8406	35	A/R			
3	Connector—snap—2-way	2H2617	36	A/R			
4	Plug for snap connector	2H2704	37	A/R			
5	Clip—forward lighting harness to footwell	PCR0609	38	1			
6	Clip—forward lighting harness to bonnet hinge	PCR0607	39	1			
7	Screw—clip to hinge	PMZ0300	40	1			
8	Washer for screw (spring)	LWZ208	41	1			
9	Nut for screw	FNZ108	42	1			
10	Cable—battery positive to earth	1B2802	43	1			
11	Bolt—earth cable to dash	HZS0304	44	1			
12	Washer for bolt (spring)	LWZ805	45	1			
13	Cable—battery negative to starter switch	2A9076	46	1			
14	Clip—negative cable to footwell	PCR0607	47	1			
15	Screw—clip to footwell	PMZ0307	48	1			
16	Washer for screw (spring)	LWZ208	49	1			
17	Screw—cables to battery	2N8645	50	2			
18	Cables—starter switch to starter	2A9075	51	1			
19	Cable—engine to earth	2K6187	52	1			
20	Bolt—earth cable to frame	HZS0605	53	1			
21	Washer for bolt (spring)	LWZ806	54	1			
22	Harness—horns		55	1	AHA5470		
23	Connector—Lucar—female (14-amp.)		56	A/R	47H5406		
24	Insulator for connector (rubber)		57	A/R	47H5417		
25	Plug for snap connector		58	A/R	2H2704	Com. (C) 6001	For use with Windtone horns
26	Clip fixing horn harness		59	3	BHA4130		
27	Clip fixing horn harness		60	1	17119528		
28	Lead—earth		61	2	ADH2610		