

A.3428

SERVICE PARTS LIST

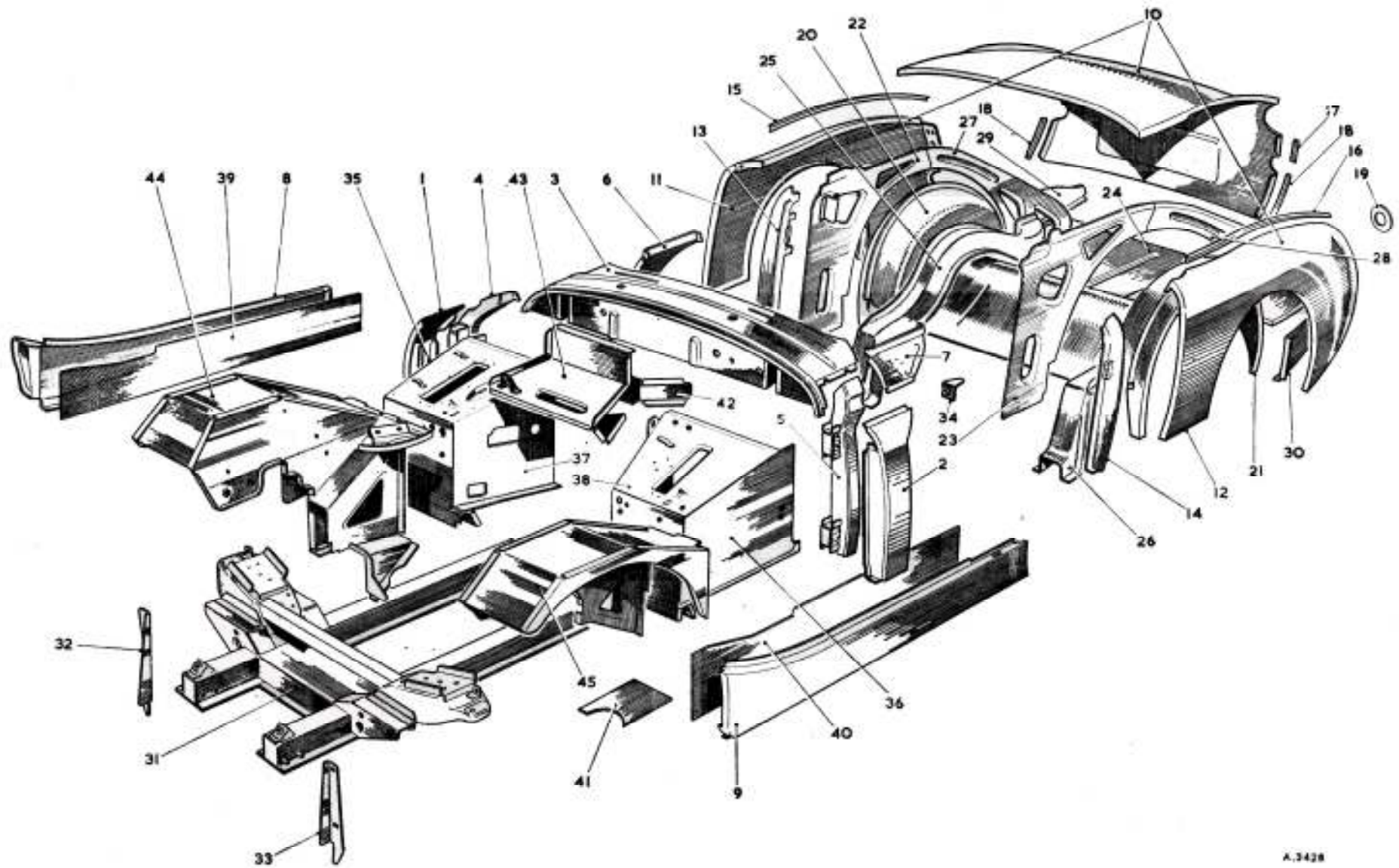
THE AUSTIN-HEALEY SPRITE

Item No.	DESCRIPTION	Commencing (C) 501		Qty. per Veh.	MODIFICATIONS		REMARKS
		Part Number	Ilus. No.		New Part Number	Change Point	
	BODY SHELL						
1	Body shell and underframe assembly	AHA5145		1			
2	Panel assembly—shroud side (R.H.)	AHA5174	1	1			
3	Panel assembly—shroud side (L.H.)	AHA5175	2	1			
4	Panel assembly—shroud and dash top	AHA5173	3	1			
5	'A' post assembly (R.H.)	AHA5176	4	1			
6	'A' post assembly (L.H.)	AHA5177	5	1			
7	Extension—'A' post to scuttle (R.H.)	14A4635	6	1			
8	Extension—'A' post to scuttle (L.H.)	14A4636	7	1			
9	Panel—sill outer (R.H.)	14A4593	8	1			
10	Panel—sill outer (L.H.)	14A4594	9	1			
11	Panel assembly—body rear	AHA5179	10	1			
12	Wing assembly—rear (R.H.)	AHA5182	11	1			
13	Wing assembly—rear (L.H.)	AHA5183	12	1			
14	'B' post assembly (R.H.)	AHA5184	13	1			
15	'B' post assembly (L.H.)	AHA5185	14	1			
16	Moulding—rear wing to panel—top (R.H.)	14A4769	15	1			
17	Moulding—rear wing to panel—top (L.H.)	14A4770	16	1			
18	Moulding—rear wing to panel (intermediate)	14A4771	17	2			
19	Moulding—lower (rear)	14A4772	18	2			
20	Filler—lamp	14A4006	19	2			
21	Panel assembly—rear wheel arch (R.H.)	AHA5145	20	1			
22	Panel assembly—rear wheel arch (L.H.)	AHA5149	21	1			
23	Reinforcement assembly—'B' post to wheel arch (R.H.)	14A59	22	1			
24	Reinforcement assembly—'B' post to wheel arch (L.H.)	14A90	23	1			
25	Panel assembly—luggage floor	AHA5147	24	1			
26	Reinforcement member—wheel arch to luggage floor (R.H.)	AHA5283	25	1			
27	Reinforcement member—wheel arch to luggage floor (L.H.)	AHA5284	26	1			
28	Gusset—wheel arch to luggage floor—rear (R.H.)	AHA5291	27	1			
29	Gusset—wheel arch to luggage floor—rear (L.H.)	AHA5292	28	1			
30	Panel assembly—luggage floor to wing (R.H.)	14A4611	29	1			
31	Panel assembly—luggage floor to wing (L.H.)	14A4612	30	1			

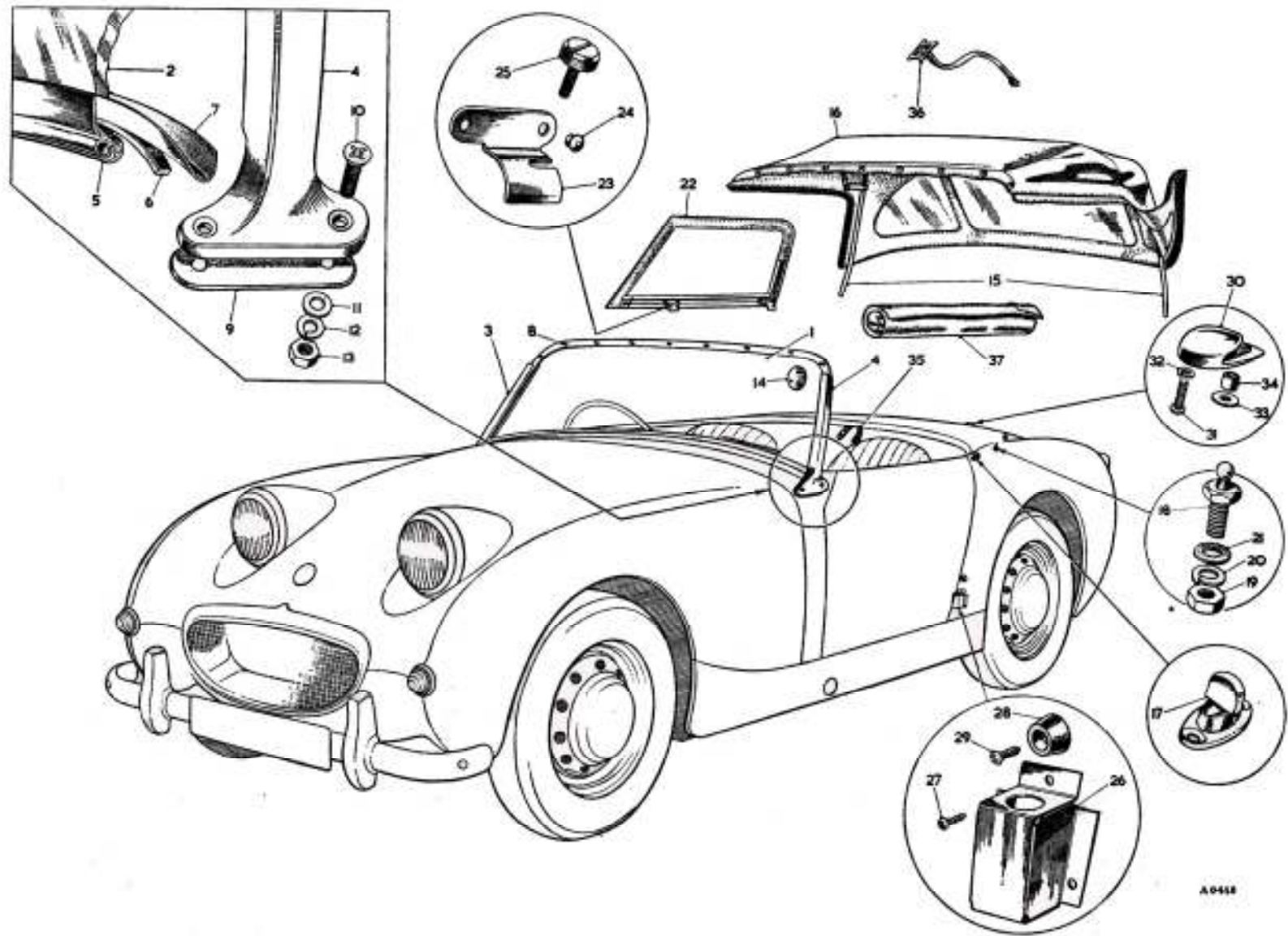
SERVICE PARTS LIST

THE AUSTIN-HEALEY SPRITE

Item No.	DESCRIPTION	Commencing (C) 501		Qty. per Veh.	MODIFICATIONS		REMARKS
		Part Number	Illus. No.		New Part Number	Change Point	
	Body Shell—continued						
1	Underframe assembly	N.S.P.		1			
2	Front suspension and main beam assembly	28G102	31	1			
3	Bracket assembly—radiator mounting (R.H.)	2A5612	32	1			
4	Bracket assembly—radiator mounting (L.H.)	2A5465	33	1	AHA5390	Fin. (C) 6489 Com. (C) 6490	Use Part No. AHA5390
5	Bracket—hand brake abutment	2A5509	34	1			
6	Panel assembly—outer—footwell (R.H.)	2A5527	35	1			
7	Panel assembly—outer—footwell (L.H.)	2A5528	36	1			
8	Panel assembly—footwell front and inner side (R.H.)	28G103	37	1	4280		
9	Panel assembly—footwell front and inner side (L.H.)	28G104	38	1	388		
10	Plate—side—sill (R.H.)	AHA5290	39	1			
11	Plate—side—sill (L.H.)	AHA5300	40	1			
12	Strut—front suspension (R.H.)	2A5558		1	471 41		
13	Strut—front suspension (L.H.)	2A5557		1			
14	Plate—splash (R.H.)		41	1	AHA5445	Fin. (C) 5186, except 5188 to 5286, 5289 to 5476 Com. (C) 5477, also 5187, 5287, 5288] Correction. Was AHA5401
15	Plate—splash (L.H.)			1	AHA5446		
16	Support—heater platform	2A5524	42	1			
17	Platform assembly—heater	2A5533	43	1			
18	Wheel arch assembly—front (R.H.)	28G105	44	1			
19	Wheel arch assembly—front (L.H.)	28G106	45	1			



A.3428



A0448

SERVICE PARTS LIST

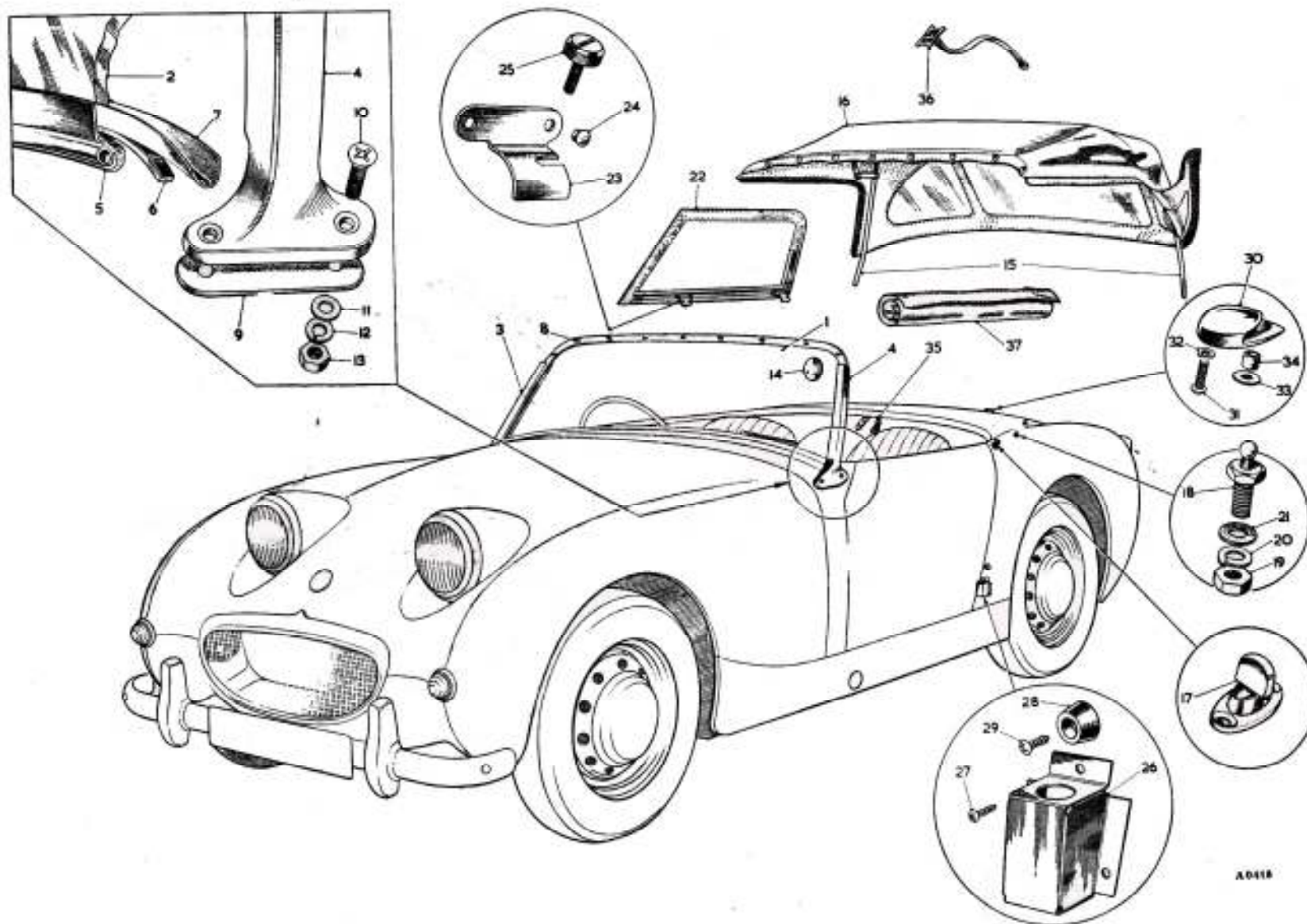
THE AUSTIN-HEALEY SPRITE

Item No.	DESCRIPTION	Commenting (C) 501		Qty. per Veh.	MODIFICATIONS		REMARKS
		Part Number	Illus. No.		New Part Number	Change Point	
	WINDSCREEN						
1	Windscreen assembly	14A4824	1	1	AHA5314	Com. (C) 5477, also 5137, 5287, 5288	Optional extra
2	Windscreen assembly (laminated glass)	14A4718		1	AHA5315		
3	Windscreen glass	14A4807	2	1	AHA5816		
4	Windscreen glass (laminated)	14A4719		1	AHA5817		
5	Pillar (R.H.)	14A4723	3	1	AHA5819		
6	Pillar (L.H.)	14A4724	4	1	AHA5820		
7	Weather seal—bottom—windscreen	14A4729	5	1			
8	Weatherstrip	14A4727	6	1			
9	Rubber—glazing	14A4728	7	1			
10	Channel—top	14A4729		1			
11	Channel—bottom	14A4721		1			
12	Frame—windscreen			1	AHA5318		
13	Bracket—corner angle	14A4722		2		Fin. (C) 5136 except 5138 to 5286, 5289 to 5476	
14	Screw—corner angle to channel	M. 0208		8			
15	Angle—side—curtain (R.H.)	14A4725		1			
16	Angle—side—curtain (L.H.)	14A4726		1			
17	Screw—side—curtain angle to pillar ($\frac{3}{8}$ " [11.11 mm.])	RM 0307		2			
18	Screw—side—curtain angle to pillar ($\frac{1}{4}$ " [12.7 mm.])	RM 0308		4			
19	Plate—tapped plate fixing	14A4721		2			
20	Screw—tapped plate to channel	M. 0203		2			
21	Fastener—hood to windscreen	AJH5255	8	9			
22	Fastener—hood to windscreen			2	B7H9719		
23	Nut for fastener			2	AJD90127	Com. (C) 5477, also 5137, 5287, 5288	
24	Rubber—sealing			1	AHA5821	Correction. Was RMP0410	
25	Rubber—sealing—frame lower			1	AHA5822		
26	Screw—pillar to frame			6	RM70306		
27	Pad—rubber—foot seating (R.H.)	14A4730		1		Com. (C) 14258	For RM20520 use AHA5456 for this application
28	Pad—rubber—foot seating (L.H.)	14A5706	9	1			
29	Screw—foot to nut/plate	PS 4120	10	4	AHA5486		
30	Washer for foot screw (plain)	PW 1201	11	2			
31	Washer for foot screw (spring)	1W 1201	12	2			
32	Nut for screw	1N 1201	13	2			
33	Holder—licence	14A3328	14	1			

SERVICE PARTS LIST

THE AUSTIN-HEALEY SPRITE

Item No.	DESCRIPTION	Commencing (C) 501		Qty. per Veh.	MODIFICATIONS		REMARKS
		Part Number	Illus. No.		New Part Number	Change Point	
HOOD AND SIDE-CURTAINS							
1	Frame assembly—hood	14A4754	15	1	ANA5324] Com. (C) 5477, also 5137, 5287, 5288	
2	Peg for release catch			2	87H9797		
3	Cover assembly—hood (Black)	14A4806	16	1	ANA5323] Com. (C) 13548	
4	Cover assembly—hood (White)				AHA5479		
5	Eyelet	8F2408		2			
6	Washer for eyelet	8F2409		2			
7	Fastener (lift-the-dot)	4K9671		9/2] Quantity reduced at (C) 5477, also for 5137, 5287, 5288
8	Plate for fastener	4K9670		9/2			
9	Fastener—top portion	14B2465		4			
10	Button—turn—single	8F2480		17			
11	Fastener—bottom portion	14B2464		18			
12	Nut—fastener	FNZ106		19			
13	Washer for fastener (spring)	LWZ203		20			
14	Washer for fastener (joint)	2K4936		21			
15	Curtain assembly—side—R.H. (Black)	14A5507		22	1	ANA5264] Com. (C) 1606
16	Curtain assembly—side—L.H. (Black)	14A5513		1	1	ANA5265	
17	Curtain assembly—side—R.H. (White)			1	1	AHA5480] Com. (C) 13548
18	Curtain assembly—side—L.H. (White)			1	1	AHA5481	
19	Bracket—curtain to door (R.H.)	AHA5266		23	2		
20	Bracket—curtain to door (L.H.)	AHA5267		2			
21	Rivet—bracket to curtain	CR50206		24	8		
22	Fastener—durable dot (male)	2H5133		2			
23	Fastener—durable dot (female)	2H5134		2			
24	Fastener—durable dot (outside portion)	4B6821		2			
25	Screw fixing male fastener	CMZ0204		2			
26	Screw—bracket to door (special)	14A5521		25	4	ANA5268	Com. (C) 1606
27	Bracket—stowage—hood tubes	14A4879		26	2		
28	Screw—stowage bracket to member	PTZ804		27	6		
29	Buffer	2H3905		28	2		
30	Screw—buffer to member	PTZ805		29	2		
31	Retainer—hood cover	14B1730		30	2		
32	Screw—retainer to body	PMZ0304		31	4		
33	Washer for retainer screw (spring)	LWZ203		32	4		
34	Washer for retainer screw—large (plain)	PWZ203		33	2		
35	Distance collar—retainer to body	11K5564		34	2		
36	Strap assembly—hood frame stowage	14A5492		35	1	2K9262	Com. (C) 7454
37	Strap assembly—fixing—hood stowage	125198		36	2		
38	Case—side-curtain	ANA5216		37	1		
39	Stilesstrip—hood to windscreen	AHA5359		1			Fin. (C) 5186 except 5188 to 5286, 5289 to 5476



A0118