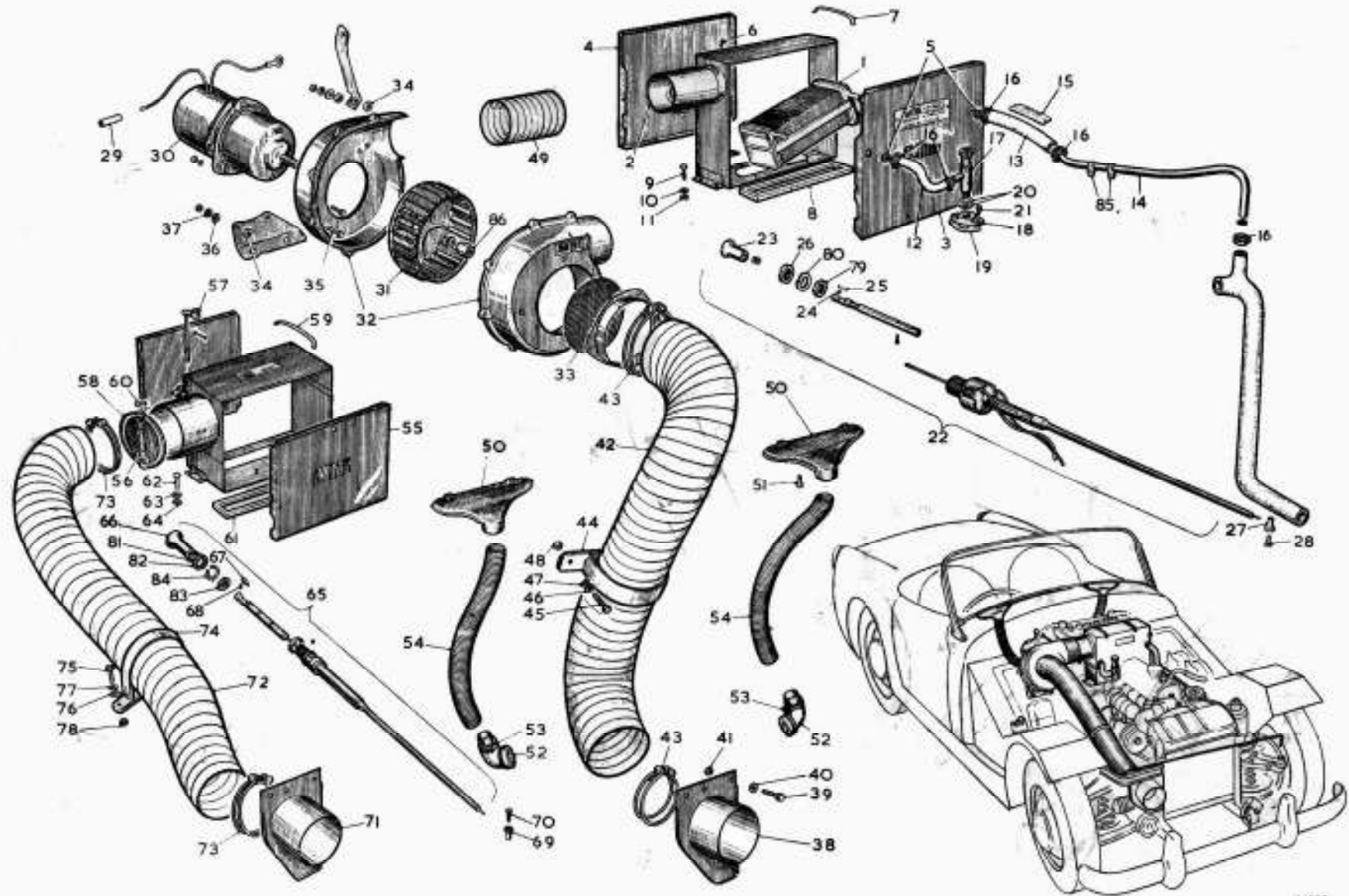


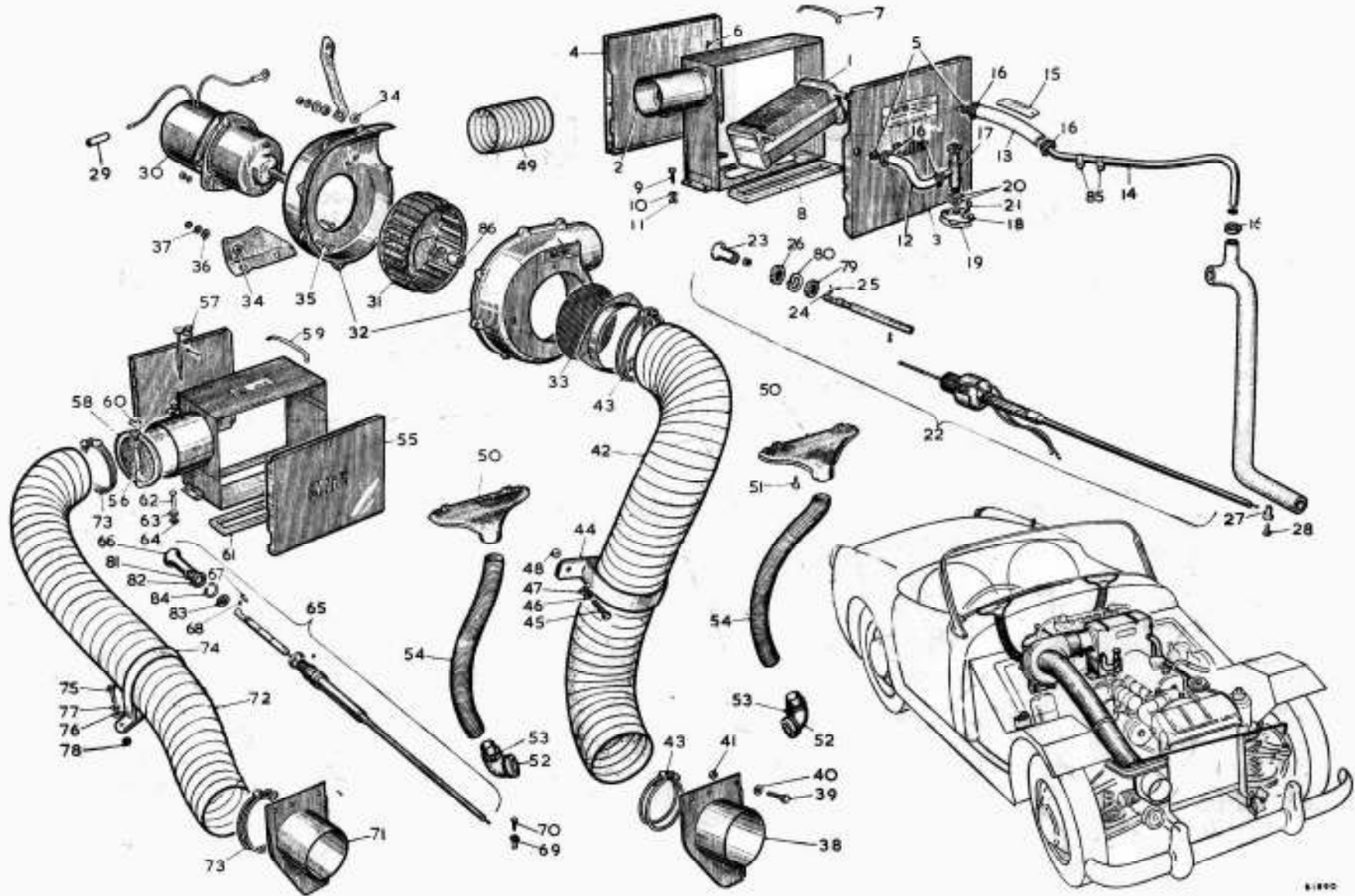
# SERVICE PARTS LIST

# THE AUSTIN-HEALEY SPRITE

Item No.	DESCRIPTION	Commencing (C) 501		Qty. per Veh.	MODIFICATIONS		REMARKS
		Part Number	Illus. No.		New Part Number	Change Point	
	<b>HEATER (Optional Extra)</b>						
1	Heater kit	8G9023		1 set			
2	Heater unit assembly	13H54		1			
3	Radiator and seals	17H1590	1	1			
4	Tube—inlet	17H1592	2	1			
5	Plate (front)	17H1594	3	1			
6	Plate (rear)	17H1596	4	1			
7	Grommet	17H1591	5	2			
8	Screw	17H1598	6	3			
9	Clip	17H1595	7	10			
10	Seal—heater base	4B9718	8	1			
11	Screw—heater to platform	PMZ0408	9	4			
12	Washer for screw (plain)	PWZ104	10	4			
13	Washer for screw (spring)	LWZ204	11	4			
14	Hose—heater to control valve	AHA5218	12	1			
15	Hose—water outlet	AHA5212	13	1			
16	Cutter—hose	N.S.P.		1			] For Service purposes use 1 off 2A2084 hose— radiator to pump
17	Connector—adaptor—control tap	N.S.P.		1			
18	Hose—radiator hose to heater outlet pipe	N.S.P.		1			
19	Pipe—heater outlet to radiator	AHA5214	14	1			
20	Set screw—heater outlet pipe clip to inlet manifold	ZCS0404		2			
21	Washer for set screw (plain)	PWZ104		2			
22	Washer for set screw (spring)	LWZ204		2			
23	Plate—heater instruction	4G6826		15	1		
24	Clip—hose	8G581		16	6		
25	<b>Tap—water control</b>	<b>ACA5455</b>		<b>17</b>	<b>1</b>		<b>Part No. change. Was 17H1631</b>
26	Plate—adaptor—control tap	ACA5456		18	1		
27	Joint—control tap to cylinder head	1G2842		19	1		
28	Washer for tap	2K5629		20	2		
29	Screw—tap to cylinder head	HZS0406		21	2		
30	<b>Switch assembly—heater</b>	<b>13H55</b>		<b>22</b>	<b>1</b>		
31	Knob	17H1602		23	1		
32	Pin—knob	17H1603		24	1		
33	Clip—knob	17H1601		25	1		
34	Locknut	17H828			1		
35	Locknut (thin)	17H824			1		
36	Washer (spring)	17H825			1		
37	Trunnion—control cable	AHH5489		27	1		
38	Screw for trunnion	AHH5598		28	1		
39	Connector—snap—switch to blower	17H1634		29	1		



31190



61890

SERVICE PARTS LIST

THE AUSTIN-HEALEY SPRITE

Item No.	DESCRIPTION	Commencing (C) 501		MODIFICATIONS		REMARKS
		Part Number	Illus. No.	Qty. per Veh.	New Part Number	
	<b>Heater (Optional Extra)—continued</b>					
1	<b>Blower assembly</b>	<b>13H51</b>		<b>1</b>		
2	Motor	17H1455	30	1		
3	Rotor	17H1574	31	1		Part No. change. Was 17H1598
4	Casing	17H819	32	1		
5	Mesh—intake	17H1597	33	1		
6	Grommet	24K2085	34	3		Part No. change. Was 17H1292
7	Screw—blower assembly to footwell top	PMZ0408	35	3		
8	Washer for screw (plain)	PWZ104	36	3		
9	Washer for screw (spring)	LWZ204	37	3		
10	<b>Plate—inlet flange</b>	<b>14A4763</b>	<b>38</b>	<b>1</b>		
11	Screw—plate to radiator and wheel arch bracket	PMZ0408	39	1		
12	Washer for screw (plain)	PWZ104	40	1		
13	Nut for screw	FNZ104	41	1		
14	<b>Hose—blower to inlet flange</b>	<b>13H53</b>	<b>42</b>	<b>1</b>		
15	Clip—hose to blower and inlet flange	14G800	43	2		
16	Clip—hose to wheel arch inner	14B1917	44	1	AHH5714	Com. (C) 6186 14B1917 not available. Use AHH5714
17	Screw—clip to wheel arch inner	PMZ0810	45	1		
18	Washer for screw (plain)	PWZ108	46	1		
19	Washer for screw (spring)	LWZ208	47	1		
20	Nut for screw	FNZ108	48	1		
21	Hose—heater to blower	14A4762	49	1		
22	<b>Nozzle assembly—demister</b>	<b>14A1162</b>	<b>50</b>	<b>2</b>		
23	Screw—nozzle to scuttle	PTP603	51	4		
24	<b>Elbow—demister</b>	<b>14G3499</b>	<b>52</b>	<b>2</b>		
25	Clip—demister hose	27H168	53	2		
26	Hose—demister	14A4766	54	2		

SERVICE PARTS LIST

THE AUSTIN-HEALEY SPRITE

Item No.	DESCRIPTION	Commencing (C) 501		Qty. per Veh.	MODIFICATIONS		REMARKS
		Part Number	Illus. No.		New Part Number	Change Point	
	<b>FRESH-AIR UNIT (Optional Extra)</b>						
1	Fresh-air unit kit	8G9024		1 set			
2	Fresh-air unit assembly	13H56		1			
3	Cover—side	17H1604	55	1			
4	Plate—valve flap	17H1606	56	1			
5	Lever arm and spindle	17H1609	57	1			
6	Grommet for seal	17H1607	58	1			
7	Clip	17H1605	59	4			
8	Washer	17H1608	60	2			
9	Seal—base	4B9713	61	1			
10	Screw—fresh-air unit to platform	PMZ0408	62	4			
11	Washer for screw (plain)	PWZ104	63	4			
12	Washer for screw (spring)	LWZ204	64	4			
13	Control assembly—push-pull	13H57	65	1			
14	Knob	17H1612	66	1			
15	Clip for knob	17H1601		1			
16	Pin for knob	17H1603		1			
17	Washer (rubber)	27H1198		1			
18	Locknut	17H828		1			
19	Locknut (thin)	17H824		1			
20	Washer (spring)	17H825		1			
21	Trunnion—control cable	14G6451	69	1			
22	Screw for trunnion	AHH5593	70	1			
23	Plate—inlet flange	14A4783	71	1			
24	Screw—plate to radiator and wheel arch bracket	PMZ0408		1			
25	Washer for screw (plain)	PWZ104		1			
26	Nut for screw	FNZ104		1			
27	Hose—fresh-air unit to inlet flange	13H58	72	1			
28	Clip—hose to fresh-air unit and inlet flange	14G800	73	2			
29	Clip—hose to wheel arch inner	14B1917	74	1	AHH5714	Com. (C) 6198	14B1917 not available. Use AHH5714
30	Screw—clip to wheel arch inner	PMZ0810	75	1			
31	Washer for screw (plain)	PWZ108	76	1			
32	Washer for screw (spring)	LWZ208	77	1			
33	Nut for screw	FNZ108	78	1			

