

A3780B

SERVICE PARTS LIST

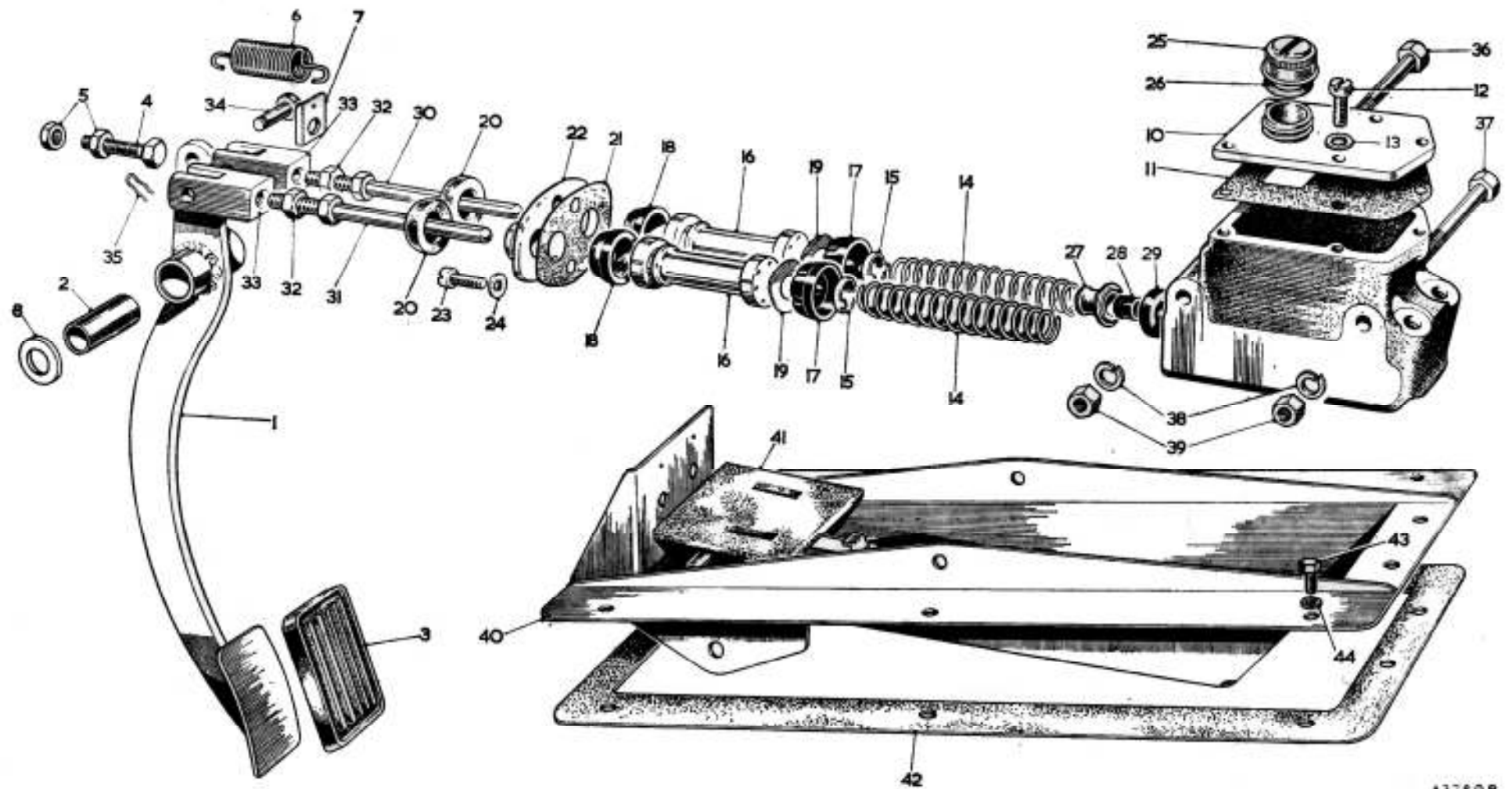
THE AUSTIN-HEALEY SPRITE

| Item No. | DESCRIPTION | Commencing (C) 501 | | Qty. per Veh. | MODIFICATIONS | | REMARKS |
|-----------------------|--|-----------------------|---------------|---------------------|-----------------------|--------------|------------------------------------|
| | | Part Number | Illus. No. | | New Part Number | Change Point | |
| | | | | | | | |
| BRAKE CONTROLS | | | | | | | |
| 1 | Pedal with bush | 2A5559 | | 1 | 1 | | |
| 2 | Bush | 2A5564 | | 2 | 1 | | |
| 3 | Pad for pedal (rubber) | AHA5326 | | 3 | 1 | | |
| 4 | Screw—pedal adjustment | HZS0408 | | 4 | 1 | | |
| 5 | Locknut for screw | FNZ2904 | | 5 | 2 | | |
| 6 | Spring—pedal return | 2A5574 | | 6 | 1 | | |
| 7 | Retainer—return spring | 2A5578 | | 7 | 1 | | |
| 8 | Washer for brake and clutch pedal (distance) | 2A5585 | | 8 | 1 | | |
| 9 | Master cylinder and supply tank assembly | AJH5120 | | 9 | 1 | | |
| 10 | Body | N.S.P. | | 9 | 1 | | |
| 11 | Cover—body | AJH5085 | | 10 | 1 | | |
| 12 | Gasket for cover | AJH5086 | | 11 | 1 | | |
| 13 | Screw—cover to body | 301551 | | 12 | 5 | | |
| 14 | Washer for cover screw (shakeproof) | LWZ404 | | 13 | 5 | | |
| 15 | Spring—piston return | AJH5088 | | 14 | 2 | | |
| 16 | Retainer—spring | 7H7487 | | 15 | 2 | | |
| 17 | Piston | 7H7925 | | 16 | 2 | | |
| 18 | Cup—primary—piston | 7H7485 | | 17 | 2 | | |
| 19 | Cup—secondary—piston | 17H7109 | | 18 | 2 | | |
| 20 | Washer—primary cup to piston | 7H7484 | | 19 | 2 | | |
| 21 | Boot—push-rod | AJH5084 | | 20 | 2 | | |
| 22 | Gasket—boot fixing plate | 301550 | | 21 | 1 | | |
| 23 | Plate—boot fixing | 301549 | | 22 | 1 | | |
| 24 | Screw for plate | 301551 | | 23 | 2 | | |
| 25 | Washer for plate screw (shakeproof) | LWZ404 | | 24 | 2 | | |
| 26 | Cap—filler | AJG5006 | | 25 | 1 | 17H7480 | AJG5006 not available. Use 17H7480 |
| 27 | Seal | AJG5016 | | 26 | 1 | | |
| 28 | Valve assembly | 36731 | | 27 | 1 | | |
| 29 | Body | 7H7488 | | 27 | 1 | | |
| 30 | Cup | 7H7022 | | 28 | 1 | | |
| 31 | Washer | 7H7489 | | 29 | 1 | | |
| 32 | Repair kit—master cylinder | 8G8224 | | 1 | 1 | | Part No. change. Was 17H7054 |
| 33 | Cup—primary | | | 2 | | | |
| 34 | Cup—secondary | | | 2 | | | |
| 35 | Cup—valve | | | 1 | | | |
| 36 | Washer for valve | | | 1 | | | |
| 37 | Boot—push-rod | | | 2 | | | |
| 38 | Washer for piston | | | 2 | | | |

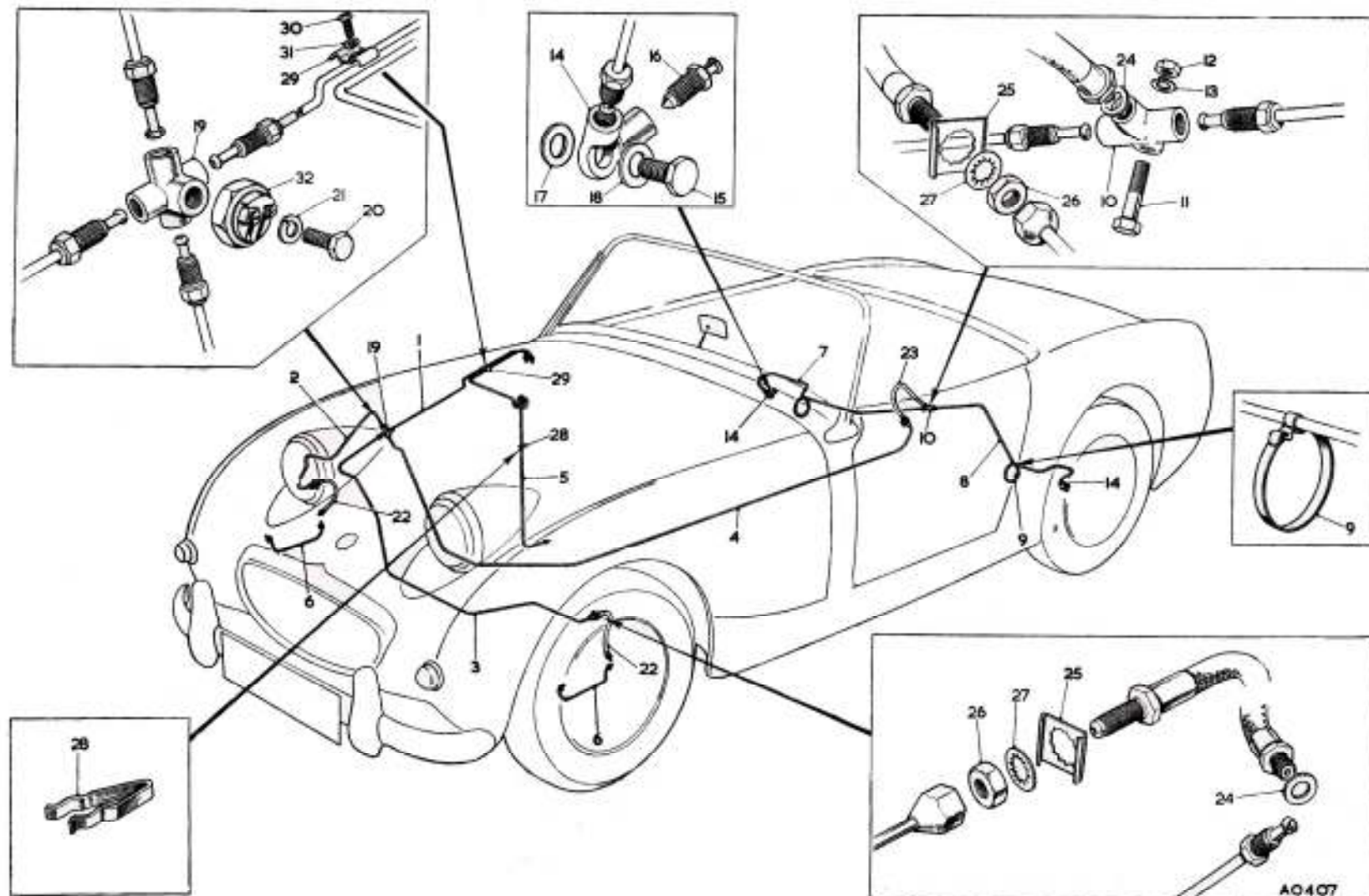
SERVICE PARTS LIST

THE AUSTIN-HEALEY SPRITE

| Item No. | DESCRIPTION | Commencing (C) 501 | | Qty. per Veh. | MODIFICATIONS | | REMARKS |
|----------|-------------------------------------|--------------------|------------|---------------|-----------------|---------------|---------|
| | | Part Number | Illus. No. | | New Part Number | Change Point | |
| | | | | | | | |
| | Brake Controls—continued | | | | | | |
| 1 | Push-rod—cylinder—brake | 2A5587 | 30 | 1 | | | |
| 2 | Push-rod—cylinder—clutch | 2A5588 | 31 | 1 | 2A5587 | Com. (C) 4996 | |
| 3 | Locknut for push-rod | FNZ205 | 32 | 2 | | | |
| 4 | Fork end—push-rod | 2A5576 | 33 | 2 | | | |
| 5 | Pin—clevis—fork end to pedal | 2A5575 | 34 | 2 | | | |
| 6 | Circlip—fork end to pedal | 1B8408 | 35 | 2 | | | |
| 7 | Bolt—master cylinder to pedal box | HBZ0624 | 36 | 1 | | | |
| 8 | Bolt—master cylinder to pedal box | HBZ0626 | 37 | 1 | | | |
| 9 | Washer for bolt (spring) | LWZ206 | 38 | 2 | | | |
| 10 | Nut for bolt | FNZ106 | 39 | 2 | | | |
| | BRAKE AND CLUTCH PEDAL BOX | | | | | | |
| 11 | Box assembly—pedal | 2A5538 | 40 | 1 | | | |
| 12 | Draught excluder—pedal box | 2A5572 | 41 | 1 | | | |
| 13 | Washer—joint—pedal box to footwell | 2A5549 | 42 | 1 | | | |
| 14 | Screw—pedal box to footwell | HZS0403 | 43 | 9 | | | |
| 15 | Screw—pedal box to footwell | HZS0408 | | 1 | | | |
| 16 | Washer for pedal box screw (spring) | LWZ804 | 44 | 10 | | | |



A3780B



SERVICE PARTS LIST

THE AUSTIN-HEALEY SPRITE

| Item No. | DESCRIPTION | Commencing (C) 501 | | Qty. per Veh. | MODIFICATIONS | | REMARKS |
|----------|--|--------------------|------------|---------------|-----------------|--------------|--|
| | | Part Number | Illus. No. | | New Part Number | Change Point | |
| | | | | | | | |
| | BRAKE AND CLUTCH PIPES | | | | | | |
| 1 | Pipe—master cylinder to 4-way connection | RHD | 2A5605 | 1 | 1 | | |
| 2 | Pipe—master cylinder to 4-way connection | LHD | 2A5619 | 1 | 1 | | |
| 3 | Pipe—4-way connection to R.H. front brake hose | | 2A5607 | 2 | 1 | | |
| 4 | Pipe—4-way connection to L.H. front brake hose | | 2A5609 | 3 | 1 | | |
| 5 | Pipe—4-way connection to rear brake hose | | 2A5611 | 4 | 1 | | |
| 6 | Pipe—master cylinder to clutch cylinder | RHD | 2A5615 | 5 | 1 | | |
| 7 | Pipe—master cylinder to clutch cylinder | LHD | 2A5617 | 1 | 1 | | |
| 8 | Pipe—bridge—front cylinder | | 21D69 | 6 | 2 | | |
| 9 | Pipe—3-way to R.H. brake (rear) | | 17H7531 | 7 | 1 | | Part No. change. Was AHA5198 |
| 10 | Pipe—3-way to L.H. brake (rear) | | 2A2181 | 8 | 1 | | Part No. change. Was 17H7532 |
| 11 | Strap for pipe | | ACA5375 | 9 | 2 | | |
| 12 | Connection—3-way | | 3H2424 | 10 | 1 | | |
| 13 | Bolt—3-way connection to gear carrier | | HBZ0409 | 11 | 1 | | |
| 14 | Nut for bolt | | FNZ104 | 12 | 1 | | |
| 15 | Washer for nut (spring) | | LWZ204 | 13 | 1 | | |
| 16 | Connection—banjo | | AHH5684 | 14 | 2 | | |
| 17 | Bolt for banjo connection | | 7H7847 | 15 | 2 | | |
| 18 | Screw—bleeder | | 3H2428 | 16 | 2 | | |
| 19 | Gasket for bolt (small) | | 3H2287 | 17 | 2 | | |
| 20 | Gasket for bolt (large) | | 3H550 | 18 | 2 | | |
| 21 | Connection—4-way | | 17H7108 | 19 | 1 | | Part No. change. Was AHH5288 |
| 22 | Screw—connection to wheel-arch | | HBZ0408 | 20 | 1 | | |
| 23 | Washer for connection screw (spring) | | LWZ204 | 21 | 1 | | |
| 24 | Hose—front brake | | 13H83 | 22 | 2 | | |
| 25 | Hose—rear brake | | BCA4081 | 23 | 1 | | |
| 26 | Gasket for brake hoses | | 3H2287 | 24 | 3 | | |
| 27 | Locking plate for brake hoses | | 1C9198 | 25 | 3 | | |
| 28 | Locknut—hose to frame bracket | | FNZ106 | 26 | 3 | | |
| 29 | Washer for locknut (shakeproof) | | LWN406 | 27 | 3 | | Part No. change. Was 2K7131 and LWN606 |
| 30 | Clip—pipe to frame | | 6K85 | 28 | 5 | | |
| 31 | Clip—pipes to footwell panel | | 2H400 | 29 | 1 | | |
| 32 | Clip—pipes to dash | RHD | CHR0307 | 4 | 4 | | |
| 33 | Screw for clip | | PMZ0305 | 4 | 4 | | |
| 34 | Nut for screw | LHD | FNZ103 | 4 | 4 | | |
| 35 | Washer for nut (spring) | | LWZ203 | 4 | 4 | | |
| 36 | Clip—pipes to cover-plate | | PCR0311 | 3 | 3 | | |
| 37 | Screw—pipes to footwell clip | | PMZ0305 | 30 | 1 | | |
| 38 | Washer for clip screw (spring) | | LWZ203 | 31 | 1 | | |
| 39 | Switch—stop light | | 3H1894 | 32 | 1 | | |